

Diagnosis - Function Test (Backup Assist)

Preliminary work:

Diagnosis - Diagnostic Trouble Code (DTC) Memory 11 PSE (3.1)

Component Locations

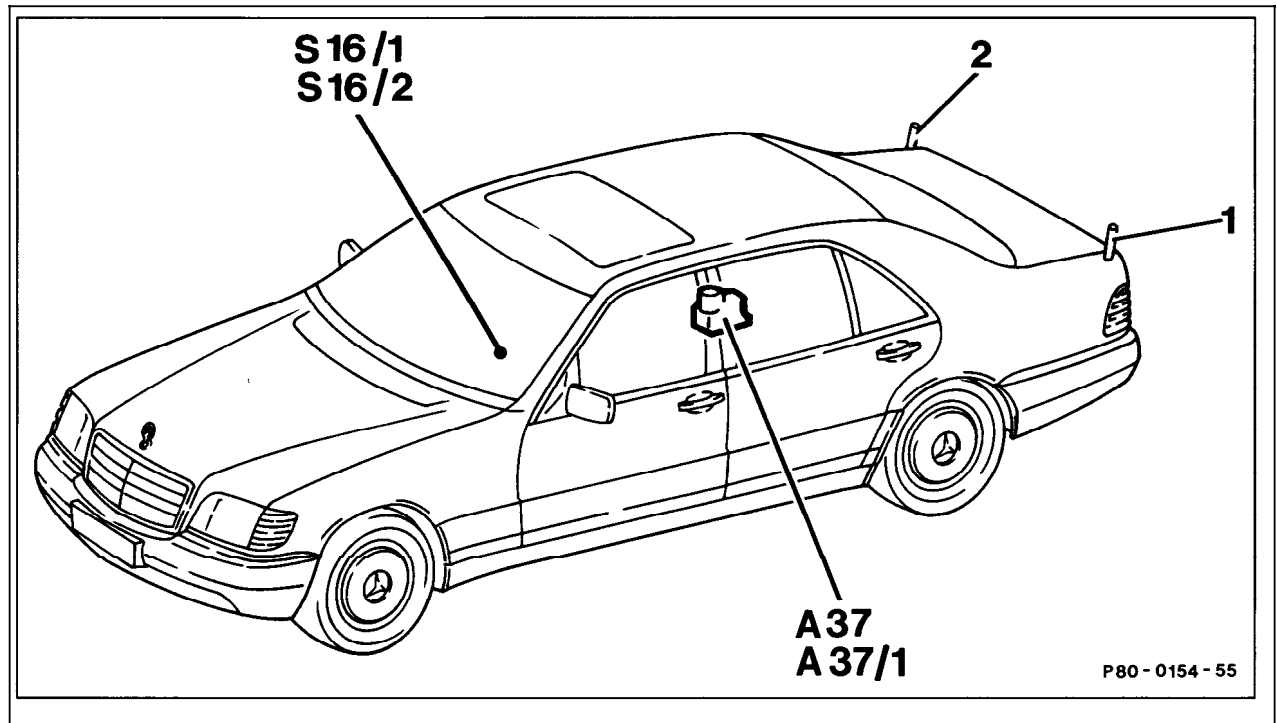


Figure 1

- A37, A37/1 PSE control module
- 1 Left backup assist mast
- 2 Right backup assist mast
- S16/1 Starter lock-out/backup lamp switch

P80 - 0154 - 55

P80-0154-55

Diagnosis - Function Test (Backup Assist)

Preparation for Test:

1. Check fuse F4-3 and fuse F4-11.
2. Battery voltage 11 – 14 V.
3. Ignition: **ON**.

Test step/Test scope	Test condition	Nominal value	Possible cause/Remedy ¹⁾
⇒ 1.0 Extend backup assist masts	Engage reverse gear.	Both backup assist masts extend after approx. 0.5 seconds.	<p>Backup assist masts do not extend and pump motor in PSE control module (A37, A37/1) does not run.</p> <p>23 PSE ⇒ 1.0, 23 ⇒ 1.0.</p> <p>Backup assist masts do not extend even though pump motor in PSE control module (A37, A37/1) runs.</p> <p>32 PSE ⇒ 3.0, 32 ⇒ 1.0.</p>

1) Observe Preparation for Test, see 22.

Diagnosis - Function Test (Backup Assist)

Test step/Test scope	Test condition	Nominal value	Possible cause/Remedy ¹⁾
⇒ 2.0 Retract backup assist masts	After 2 second delay, select range other than reverse.	Both backup assist masts retract after approx. 10 seconds.	<p>Backup assist masts do not retract and pump motor in PSE control module (A37, A37/1) does not run.</p> <p>23 PSE ⇒ 1.0, 23 ⇒ 1.0.</p> <p>Backup assist masts do not retract even though pump motor in PSE control module (A37, A37/1) runs.</p> <p>32 PSE ⇒ 4.0, 32 ⇒ 2.0.</p>
⇒ 3.0 Retract backup assist masts	Backup assist masts extended Ignition: OFF	Both backup assist masts retract immediately.	<p>Backup assist masts do not retract and pump motor in PSE control module (A37, A37/1) does not run.</p> <p>23 PSE ⇒ 1.0, 23 ⇒ 1.0.</p> <p>Backup assist masts do not retract even though pump motor in PSE control module (A37, A37/1) runs.</p> <p>32 PSE ⇒ 4.0, 32 ⇒ 2.0.</p>

¹⁾ Observe Preparation for Test, see 22.