

Pneumatic Test Program - Component Locations (Backup Assist)

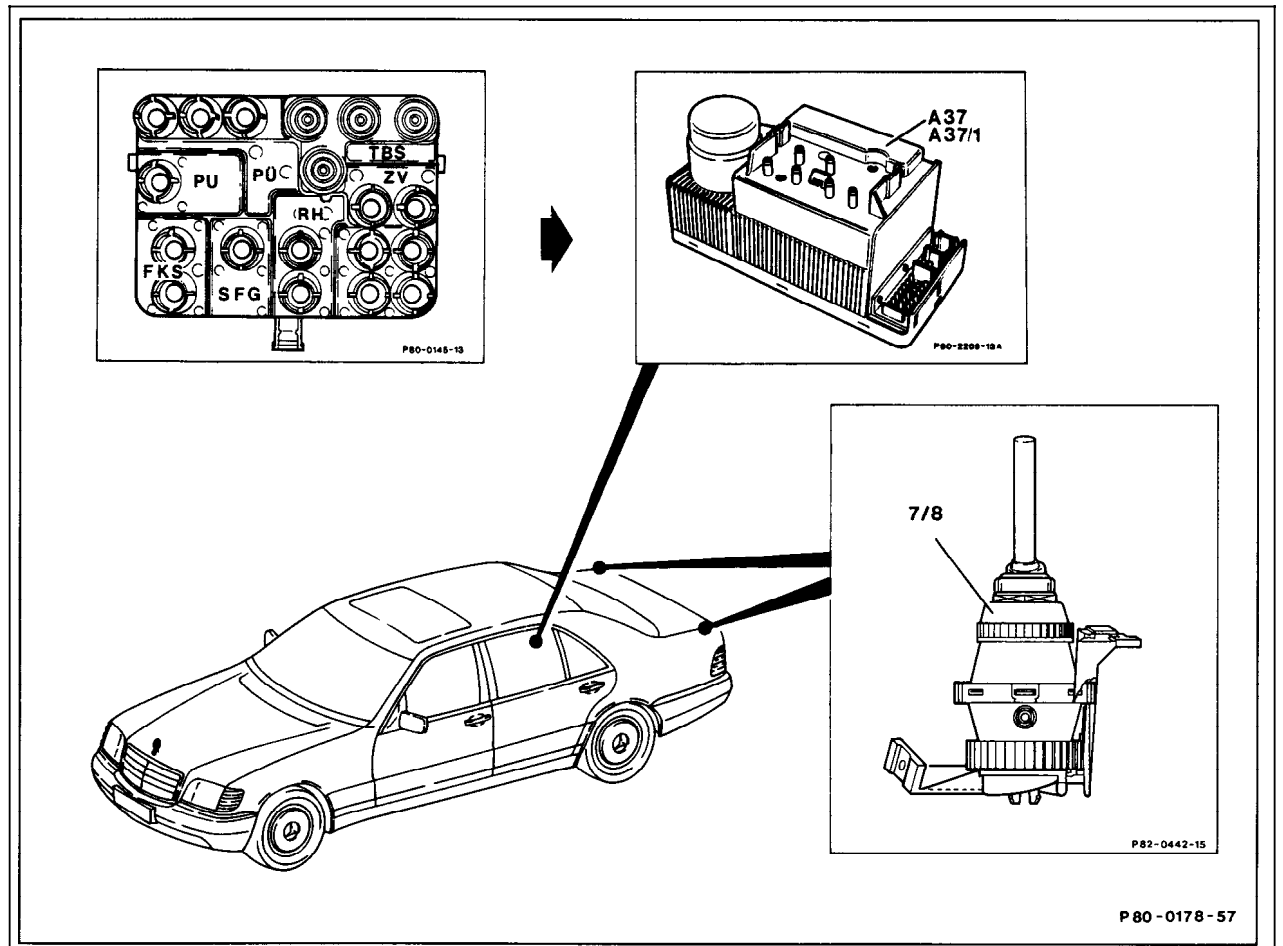


Figure 1

7/8 Backup assist actuator
 A37, A37/1 PSE control module

P80-0178-57