

Electrical Test Program – Preparation for Test (CL)

Preliminary work:

Diagnosis - Diagnostic Trouble Code (DTC) Memory 11 PSE

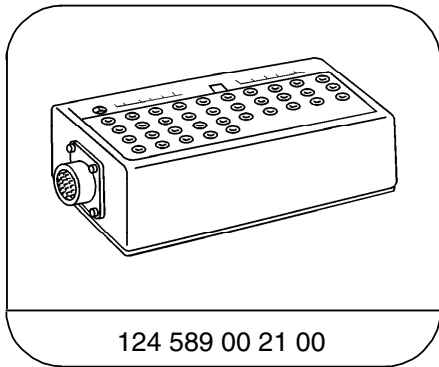
Preparation for Test:

1. Check fuse F2-5, F4-3 and fuse F4-11.
2. Provide access to PSE control module (A37, A37/1).
3. Disconnect convenience feature (CF) control module (N57), anti-theft alarm (ATA) control module (N26), infrared remote central locking (IRCL) control module (N54).
4. Connect socket box with test cable according to connection diagram, see 22 Figure 1.

Electrical wiring diagrams

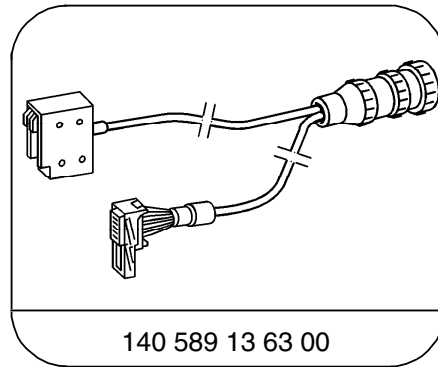
See Electrical Troubleshooting Manual, Model 140, Volume 2.

Special Tools



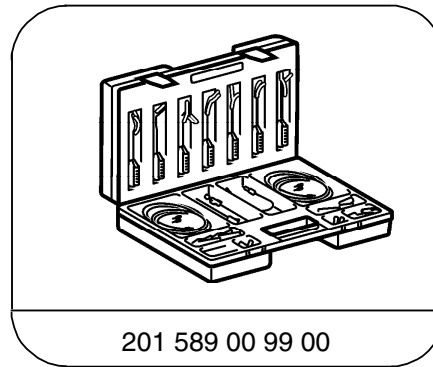
124 589 00 21 00

35-pin socket box



140 589 13 63 00

21-pin test cable



201 589 00 99 00

Electrical connecting set

Equipment

Multimeter ¹⁾

Fluke models 23, 83, 85, 87

¹⁾ Available through the MBUSA Standard Equipment Program.

Electrical Test Program – Preparation for Test (CL)

Connection Diagram - Socket Box

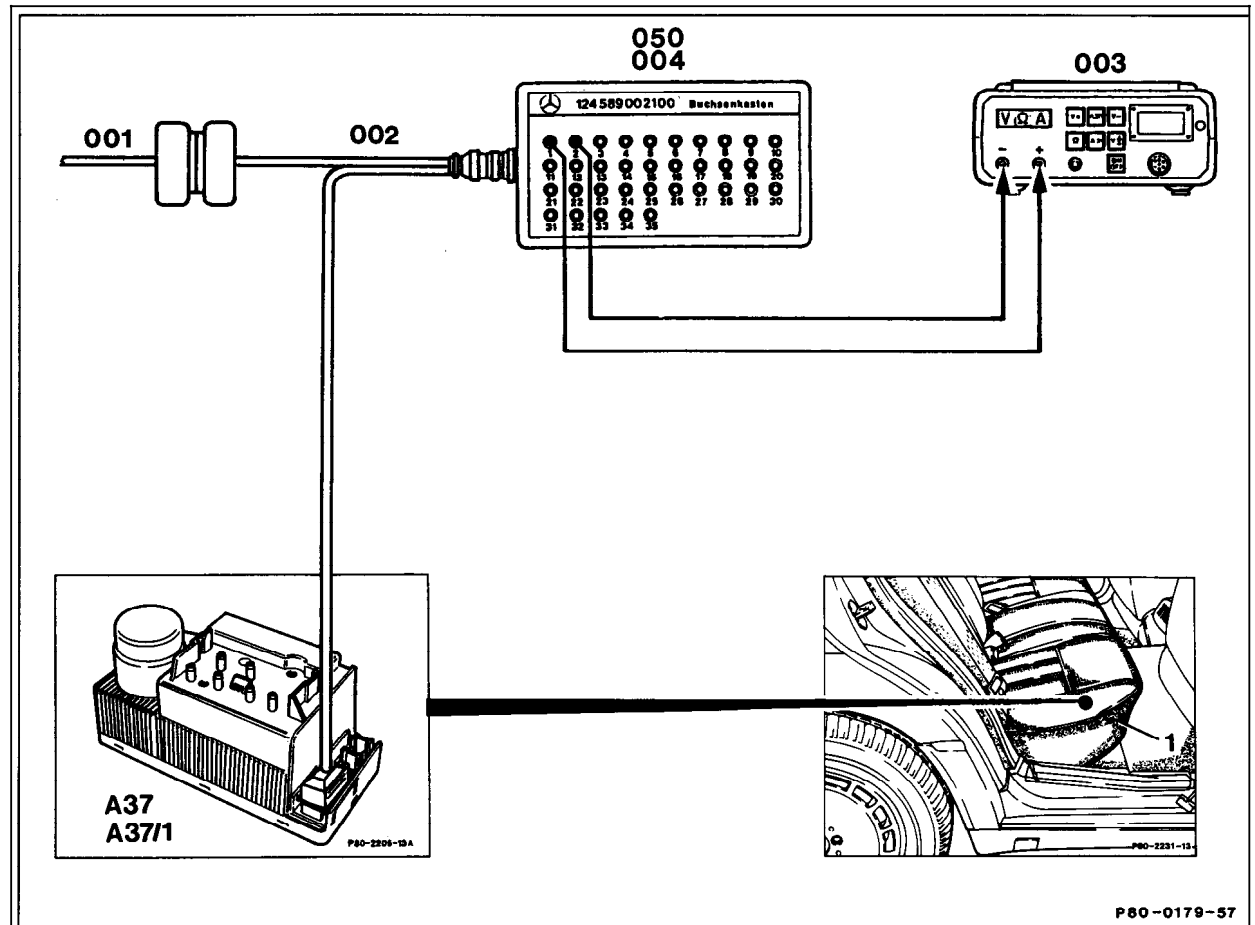


Figure 1

- 001 PSE control module connector
- 002 Test cable
- 003 Multimeter
- 004/050 Socket box (35-pole)
- A37, A37/1 PSE control module

P80-0179-57

P80-0179-57