

Pneumatic Test Program – Component Locations (CL)

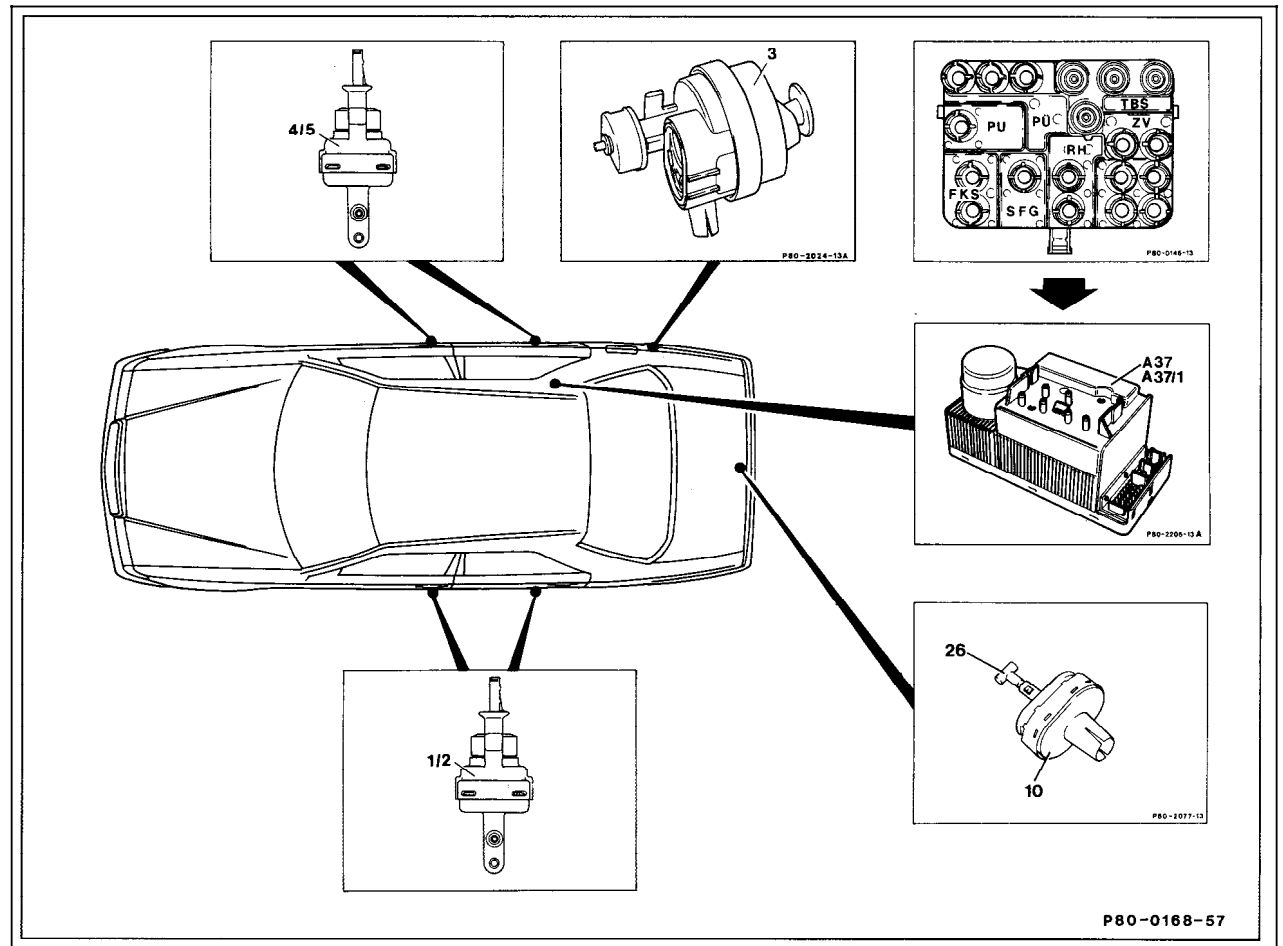


Figure 1

- A37, A37/1 PSE control module
- 1 Left front door actuator
- 2 Left rear door actuator
- 3 Filler flap actuator
- 4 Right front door actuator
- 5 Right rear door actuator
- 10 Trunk lock actuator

P80-0168-57