

Pneumatic Test Program - Component Locations (Orthopedic Seat Backrest)

A. Lumbar Support

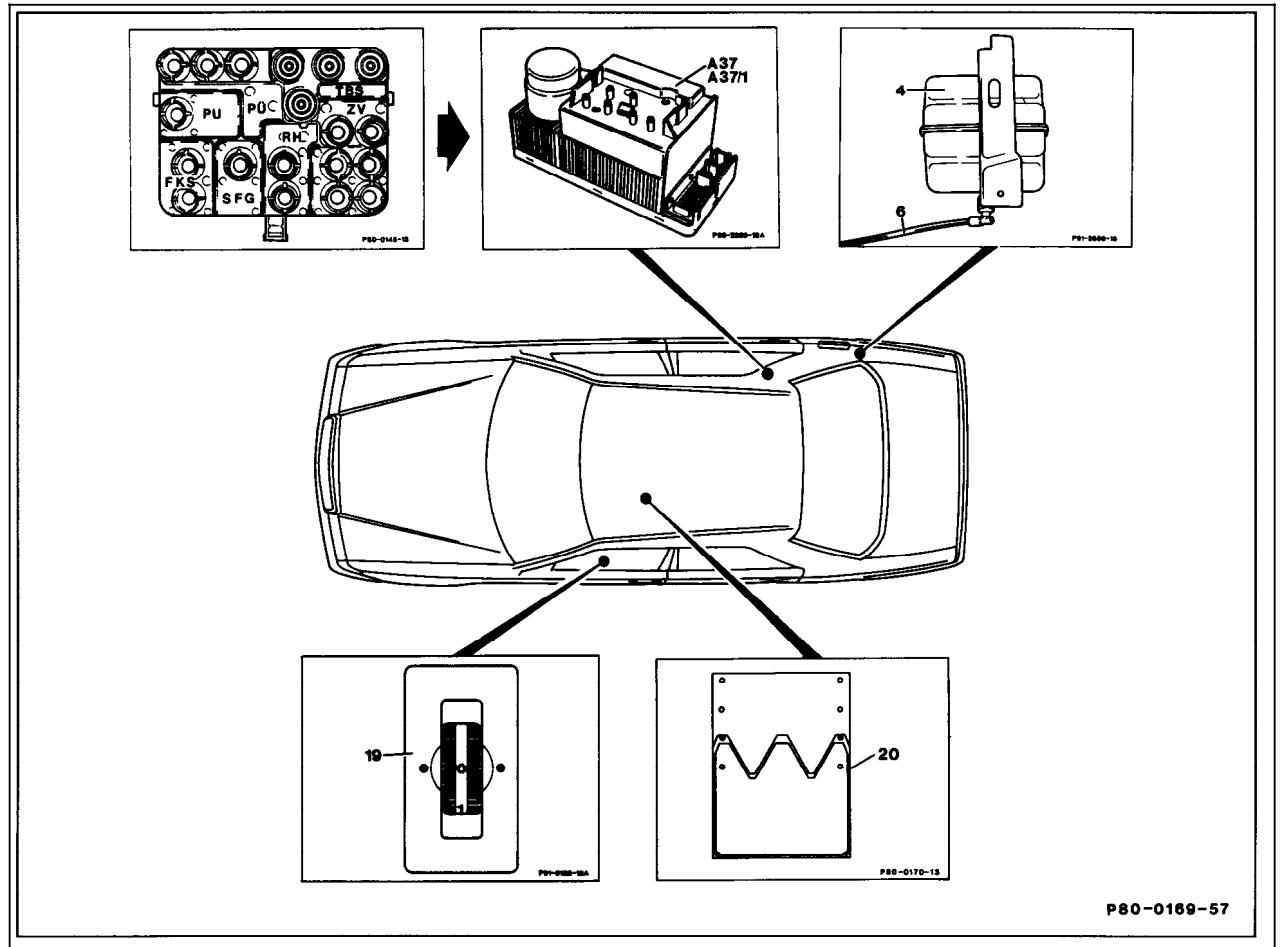


Figure 1

- A37, A37/1 PSE control module
- 4 Orthopedic seat backrest reservoir
- 19 Pressure control
- 20 Lumbar support backrest

P80-0169-57

P80-0169-57

Pneumatic Test Program - Component Locations (Orthopedic Seat Backrest)

B. Multi-contour backrest

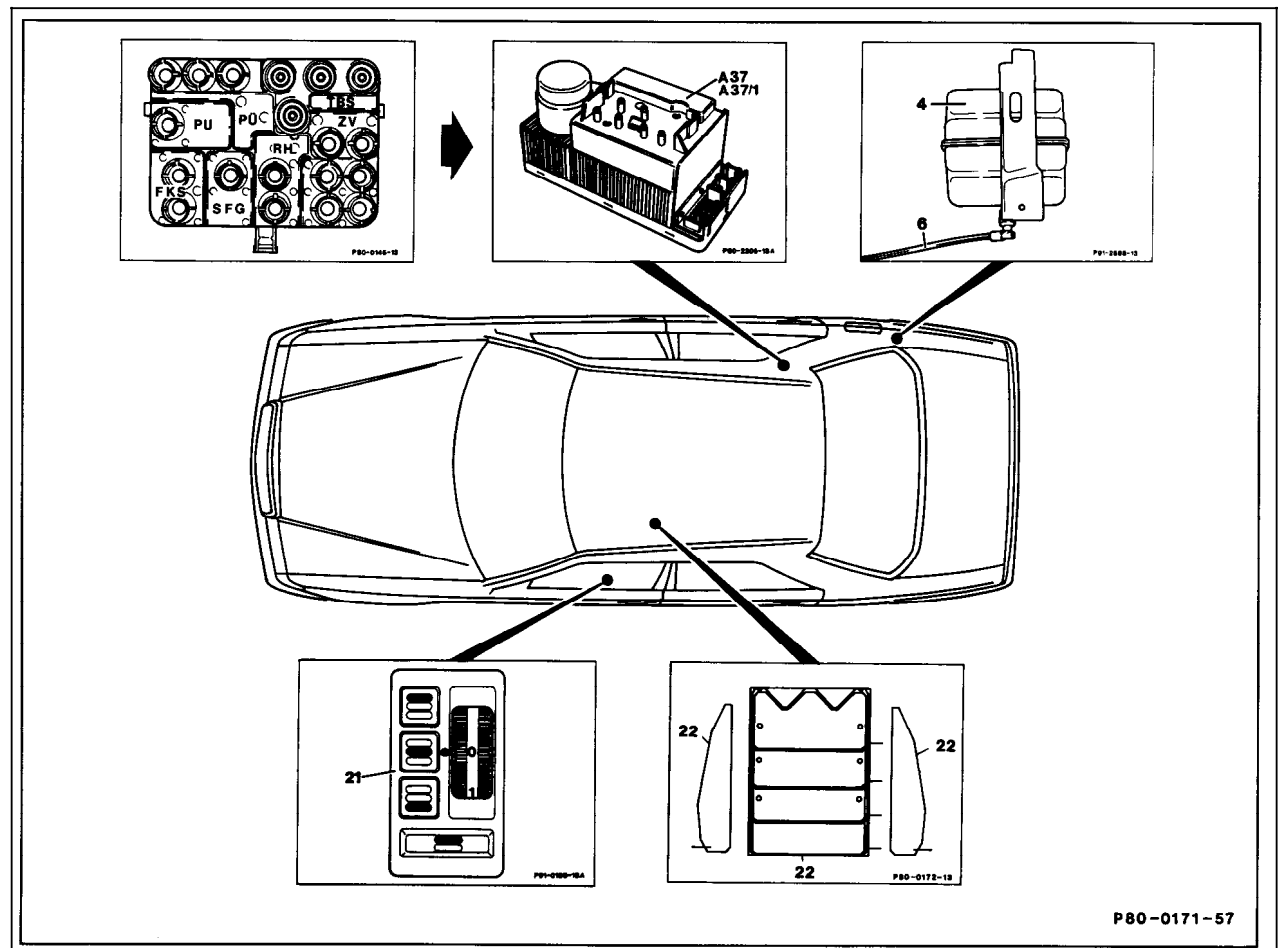


Figure 2

- A37, A37/1 PSE control module
- 4 Orthopedic seat backrest reservoir
- 21 Control valve
- 22 Multi-contour backrest

P80-0171-57

P80-0171-57