

Pneumatic Test Program - Component Locations (Retractable Trunk Lid Grip)

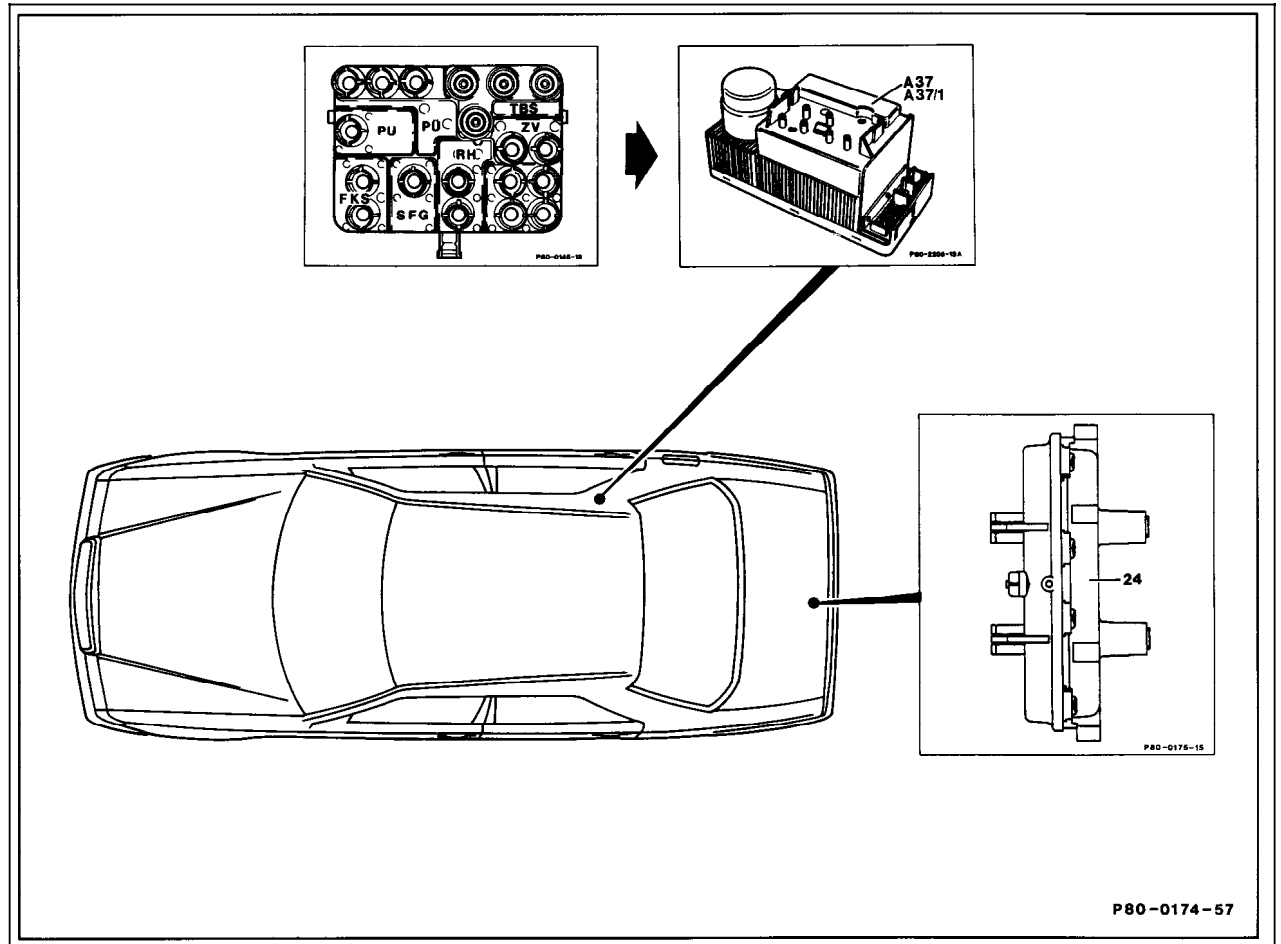


Figure 1

A37, A37/1
24

PSE control module
Retractable trunk lid grip actuator

P80-0174-57