

Electrical Test Program – Component Locations (RTR)

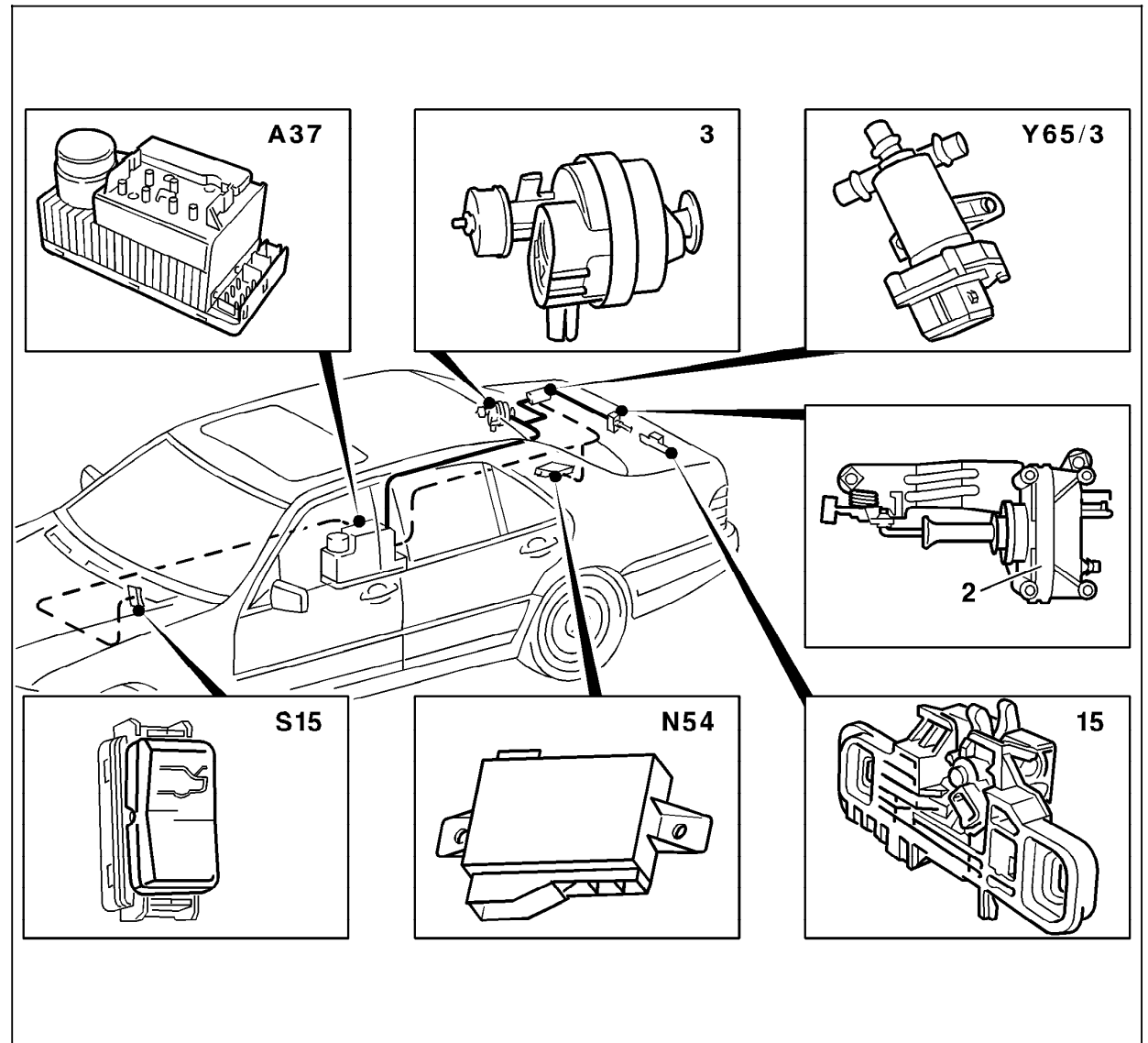


Figure 1

- A37 PSE control module
- N54 RCL control module (shown in sedan up to 08/95)
(as of 12/94: located behind passenger-side AB)
- S15 Remote trunk release switch
- Y65/3 RTR control valve (CL)
- 2 Remote trunk release actuator
- 3 Filler flap actuator
- 15 Lock
- 1 IR transmitter key
- - Electrical wire
- Pneumatic line

P88.50-0229-06