

Electrical Test Program – Component Locations (PSE)

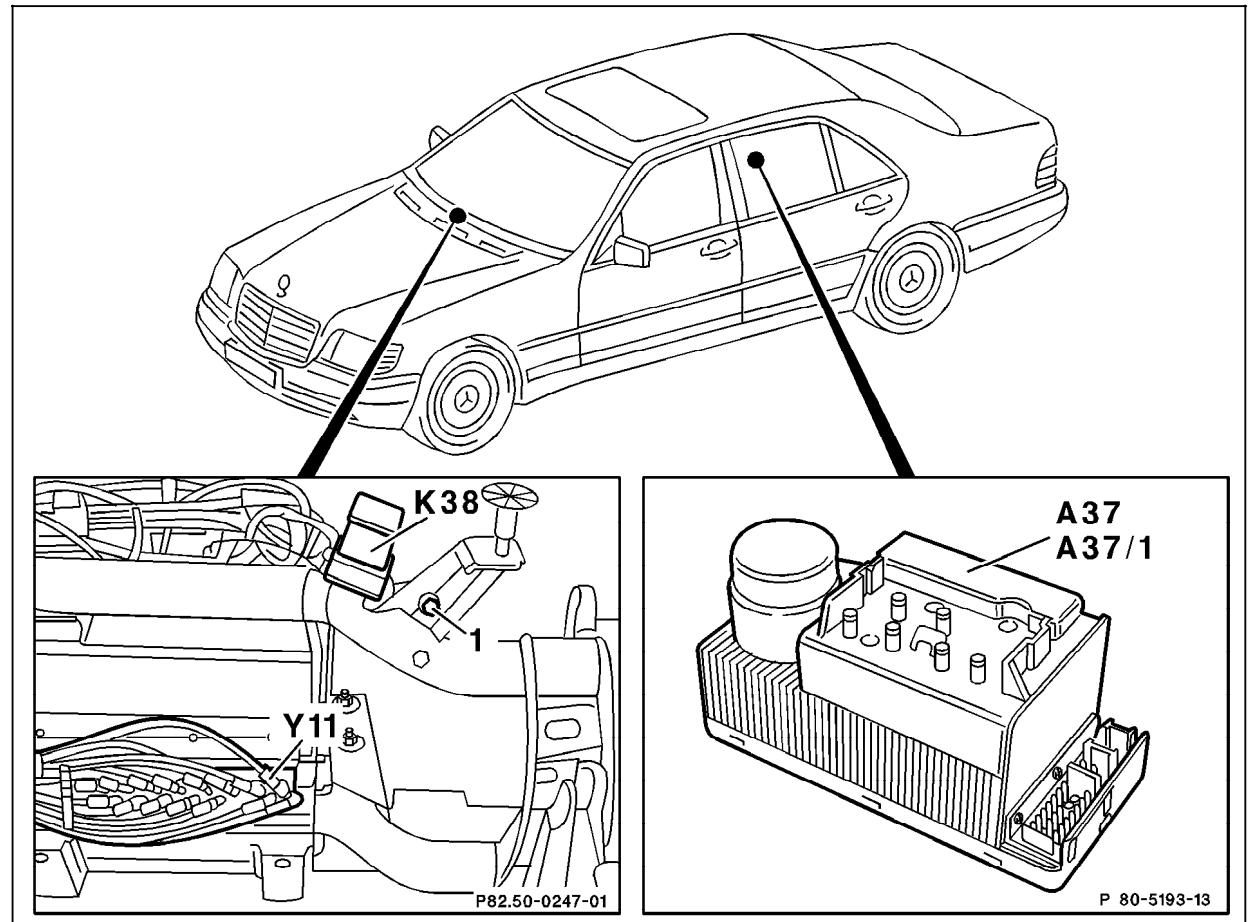


Figure 1  
 A37, A37/1 PSE control module  
 K38 Starter lock-out relay module  
 (vehicles as of 12/93 only)

P80-5178-57