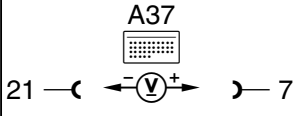
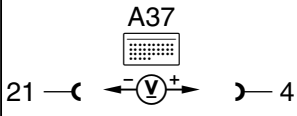
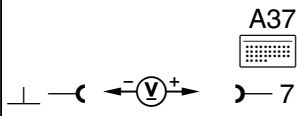
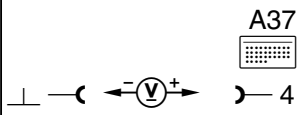
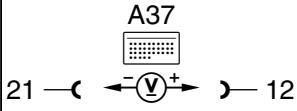
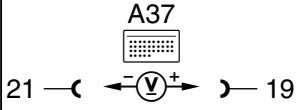


#### Electrical Test Program - Test (PSE)

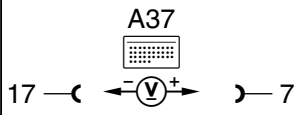
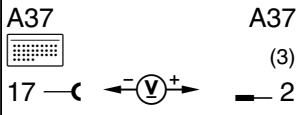
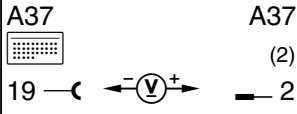
Test step	Test scope	Test connection	Test condition	Nominal value	Possible cause/Remedy
⇒ 1.0	<b>PSE control module (A37 or A37/1)</b> Voltage supply circuit 30 and circuit 15			11 – 14 V	⇒ 1.1, Circuit 31
			Ignition: <b>ON</b>	11 – 14 V	⇒ 1.1, Circuit 31
			Ignition: <b>OFF</b>	<1 V	
⇒ 1.1	Circuit 30			11 – 14 V	Circuit 30
	Circuit 15		Ignition: <b>ON</b>	11 – 14 V	Circuit 15
			Ignition: <b>OFF</b>	<1 V	

Electrical Test Program - Test (PSE)

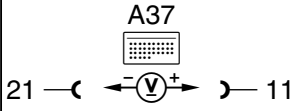
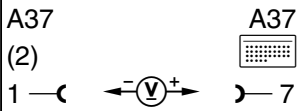
Test step	Test scope	Test connection	Test condition	Nominal value	Possible cause/Remedy
⇒ 2.0	<b>Interior dome lamp switching circuit</b>		Lock the vehicle.  Unlock the vehicle.	<1V  11 – 14 V	Wiring, 23 PSE/CL ⇒ 2.0, 3.0, 4.0, PSE control module (A37 or A37/1).  Wiring, 23 PSE/CL ⇒ 2.0, 3.0, 4.0, (A37 or A37/1), E15 (Dome lamp).
⇒ 3.0 <b>Sedan only</b>	<b>Left rear door switch (S17/5), Right rear door switch (S17/6)</b>		Remove fuse (F4-11). Close rear doors. Alternately open and close left and right rear doors. Both rear doors closed.  One rear door open.	11 – 14 V  <1V	Wiring, ⇒ 3.1, ⇒ 3.2, A37 or A37/1.  Wiring, ⇒ 3.1, ⇒ 3.2, A37 or A37/1.



#### Electrical Test Program - Test (PSE)

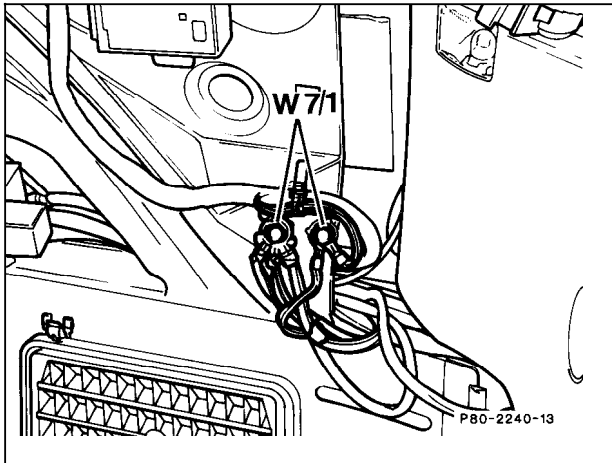
Test step	Test scope	Test connection	Test condition	Nominal value	Possible cause/Remedy
⇒ 4.0	<b>Ignition/starter switch (S2/1)</b> <b>Warning buzzer contact</b>	 <p>A37 17 —( —( ←(V)→ —( —( 7</p>	Key removed from steering lock.  Key in position 1	11 – 14 V  <1V	Wiring, S2/1.  Wiring, S2/1.
⇒ 5.0	<b>PSE control module (A37 or A37/1)</b> Internal connection, warning buzzer contact	 <p>A37 17 —( ←(V)→ —( —( 2 A37 (3)</p>	Remove fuse (F4-11). Disconnect connector 3 on A37 or A37/1.	<1 Ω	A37 or A37/1.
⇒ 6.0 <b>Sedan only</b>	<b>PSE control module (A37 or A37/1)</b> Internal connection, rear door contact switches	 <p>A37 19 —( ←(V)→ —( —( 2 A37 (2)</p>	Remove fuse (F4-11). Disconnect connector 2 on A37 or A37/1.	<1 Ω	A37 or A37/1.

Electrical Test Program - Test (PSE)

Test step	Test scope	Test connection	Test condition	Nominal value	Possible cause/Remedy
⇒ 7.0	<b>“REST“ function circuit</b>	 <p>A37 21 —( - )— V —( + )— 11</p>	Ignition: <b>OFF</b>  Ignition: <b>OFF</b> Engine coolant temperature >50° C. Disconnect the transparent pneumatic line at the PSE pneumatic control module junction connector. Push <b>REST</b> on N22.	<1V  11 – 14 V PSE control module turns <b>ON</b>	Wiring, Auxiliary coolant pump control relay module (REST, engine OFF cooling) (K30), Automatic A/C control module (N22).  Wiring, K30, N22/1.
⇒ 8.0  Vehicles as of 12/93 only	<b>Immobilization output</b>	 <p>A37 (2) 1 —( - )— V —( + )— A37 7</p>	Disconnect connector 2 at A37 or A37/1.  Unlock vehicle at one of three locking points.  Open left front door window.  Lock vehicle at one of three locking points.  Ignition: <b>ON</b>	11 – 14 V         <1 V	Wiring, 23 PSE/CL ⇒ 2.0, 3.0, 4.0, A37 or A37/1.

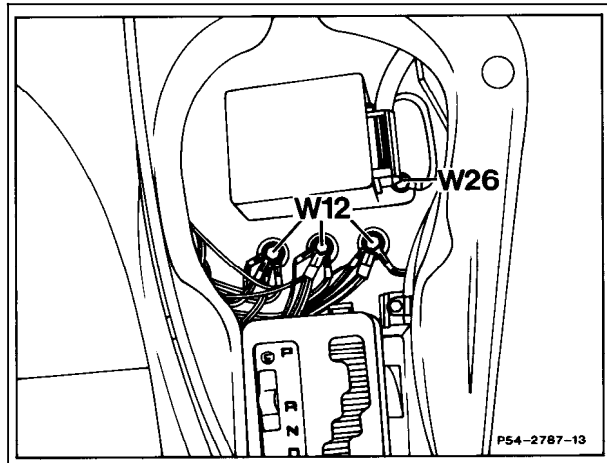


Electrical Test Program - Test (PSE)



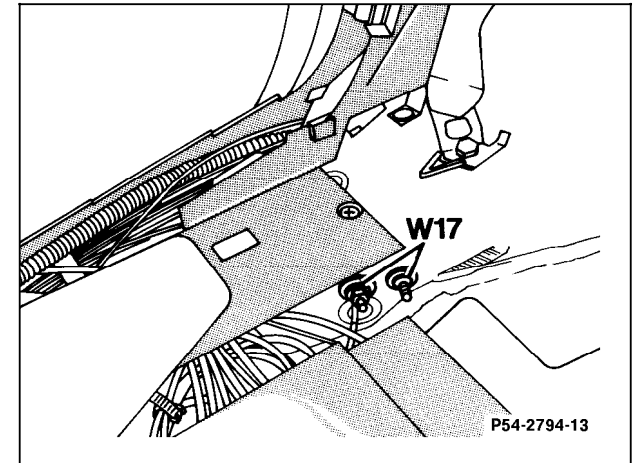
P80-2240-13

Figure 1  
W7/1 Ground (right rear taillamp in trunk)



P54-2787-13

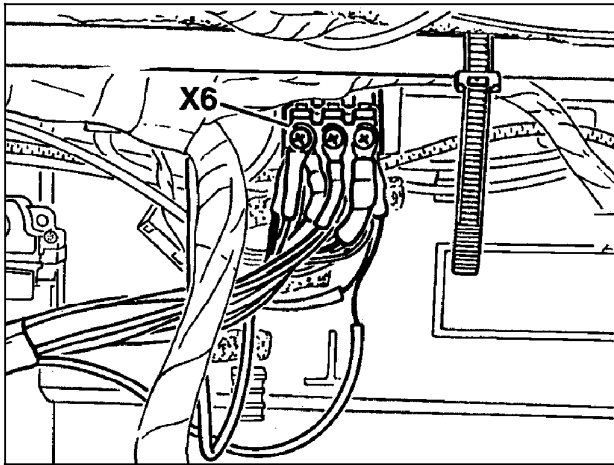
Figure 2  
W12 Ground (center console)



P54-2794-13

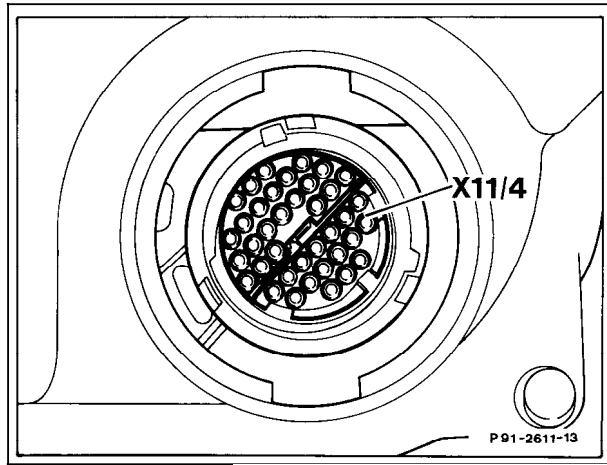
Figure 3  
W17 Ground (right rear seat)

Electrical Test Program - Test (PSE)



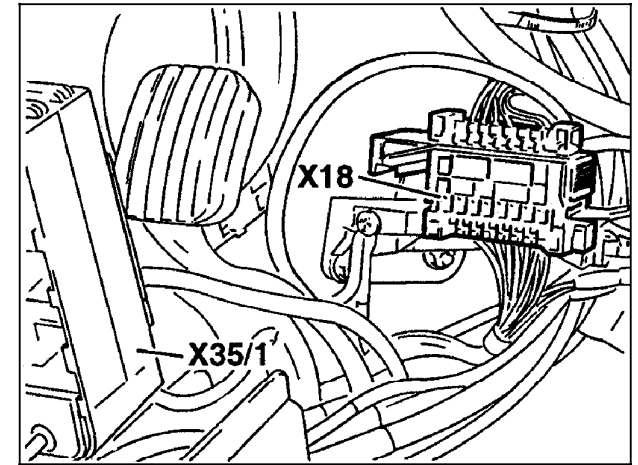
P82.20-2000-01x

Figure 4  
X6 Terminal block (terminal 58d) (3- or 4-pole)



P91-2611-13

Figure 5  
X11/4 Data link connector (DTC readout)

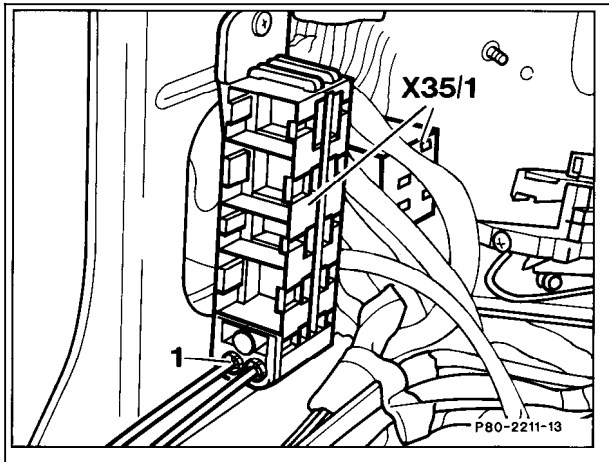


P54.18-2000-01x

Figure 6  
X18 Interior/taillamp harness connector



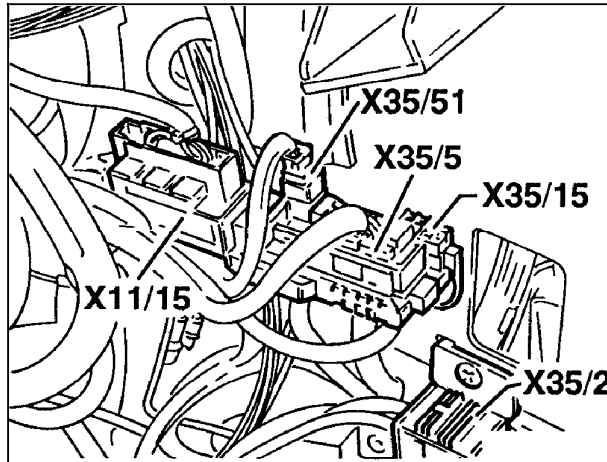
#### Electrical Test Program - Test (PSE)



P80-2211-13

Figure 7

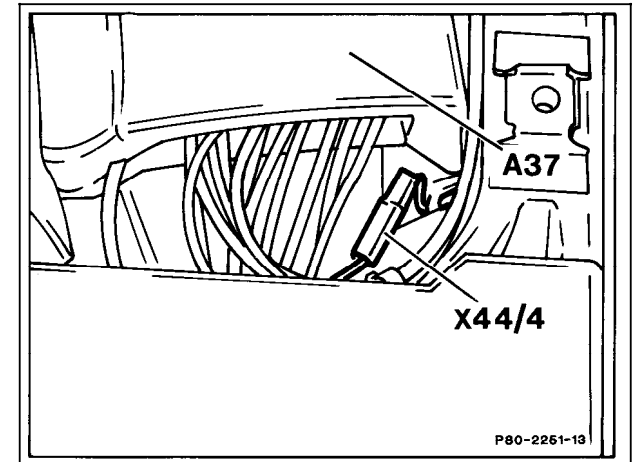
- X35/1 Left front door separation point
- X35/2 Right front door separation point  
(mirror image of left shown)



P54.18-2001-01x

Figure 8

- X35/5 Module box/taillamp harness separation point  
(ASR/ASD) (12-pole)

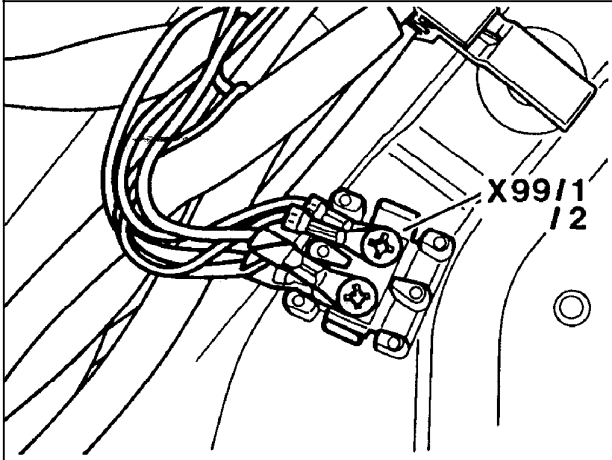


P80-2251-13

Figure 9

- X44/4 Pneumatic RHR intermediate release connector  
(sedan only)

#### Electrical Test Program - Test (PSE)



P00.19-2000-01x

Figure 10

- X99/1 Terminal block (left front door ground)
- X99/2 Terminal block (right front door ground)