

#### Electrical Test Program – Component Locations (CL)

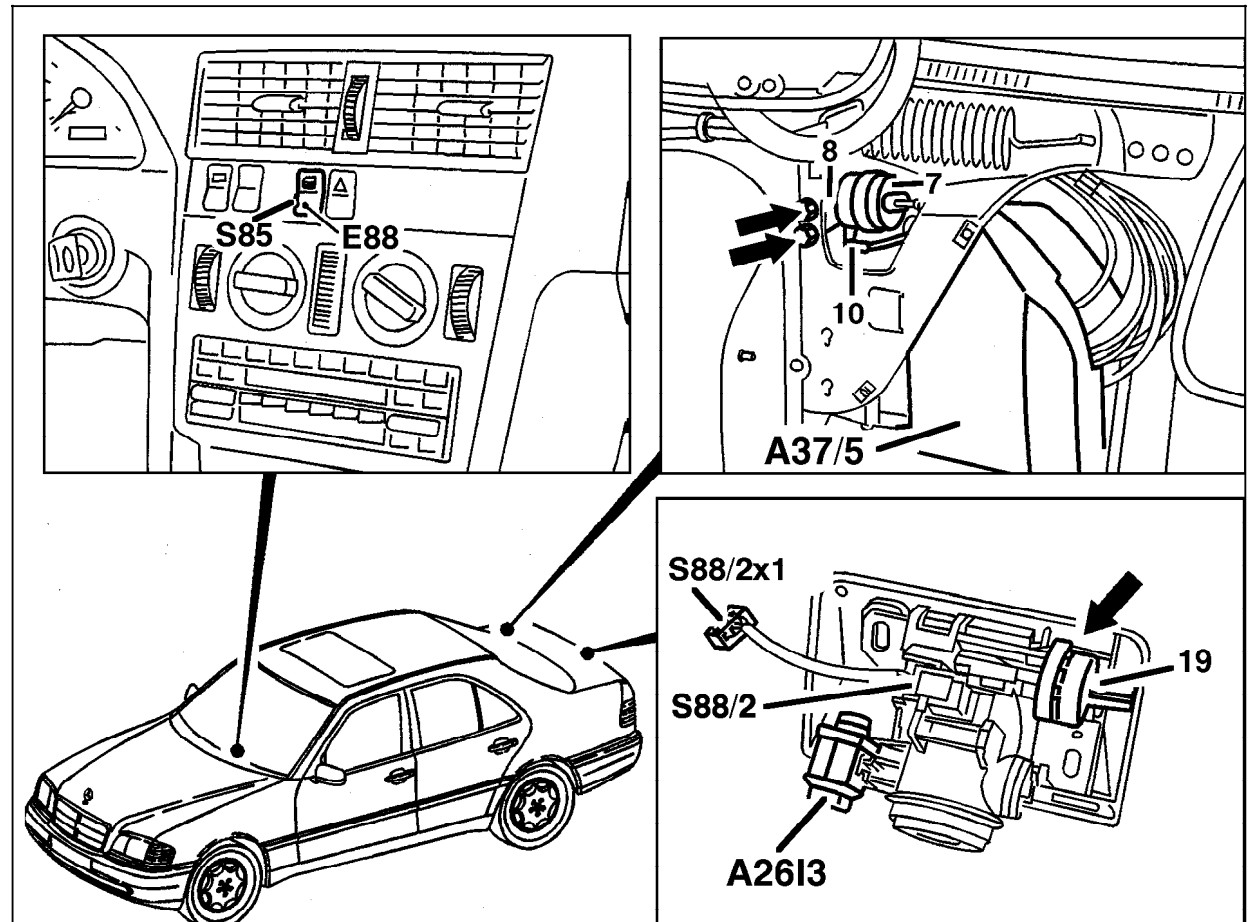


Figure 1

- A37/4 PSE control module  
(vehicles w/o OSB, not pictured)
- A37/5 PSE control module
- S85 CL interior control switch
- S88/2 Trunk lid lock switch (CF)
- S88/2x1 Trunk lid lock switch connector (CF)

P80-5128-57

Electrical Test Program – Component Locations (CL)

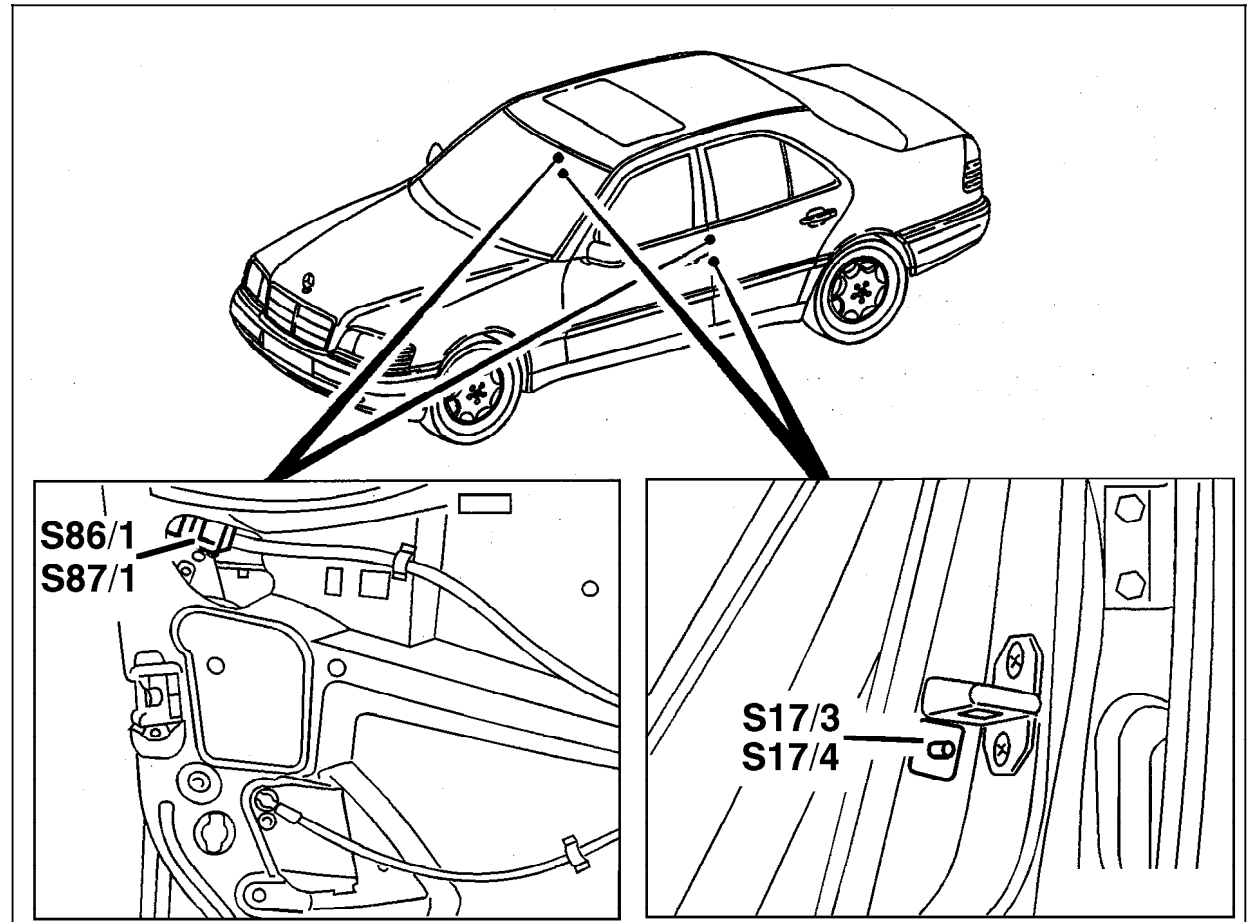


Figure 2

- S17/3 Left front door switch
- S17/4 Right front door switch  
(mirror image of left shown)
- S86/1 Left front door lock switch (CF)
- S87/1 Right front door lock switch (CF)  
(mirror image of left shown)

P80-5151-57