

Pneumatic Test Program – Component Locations (MVA)

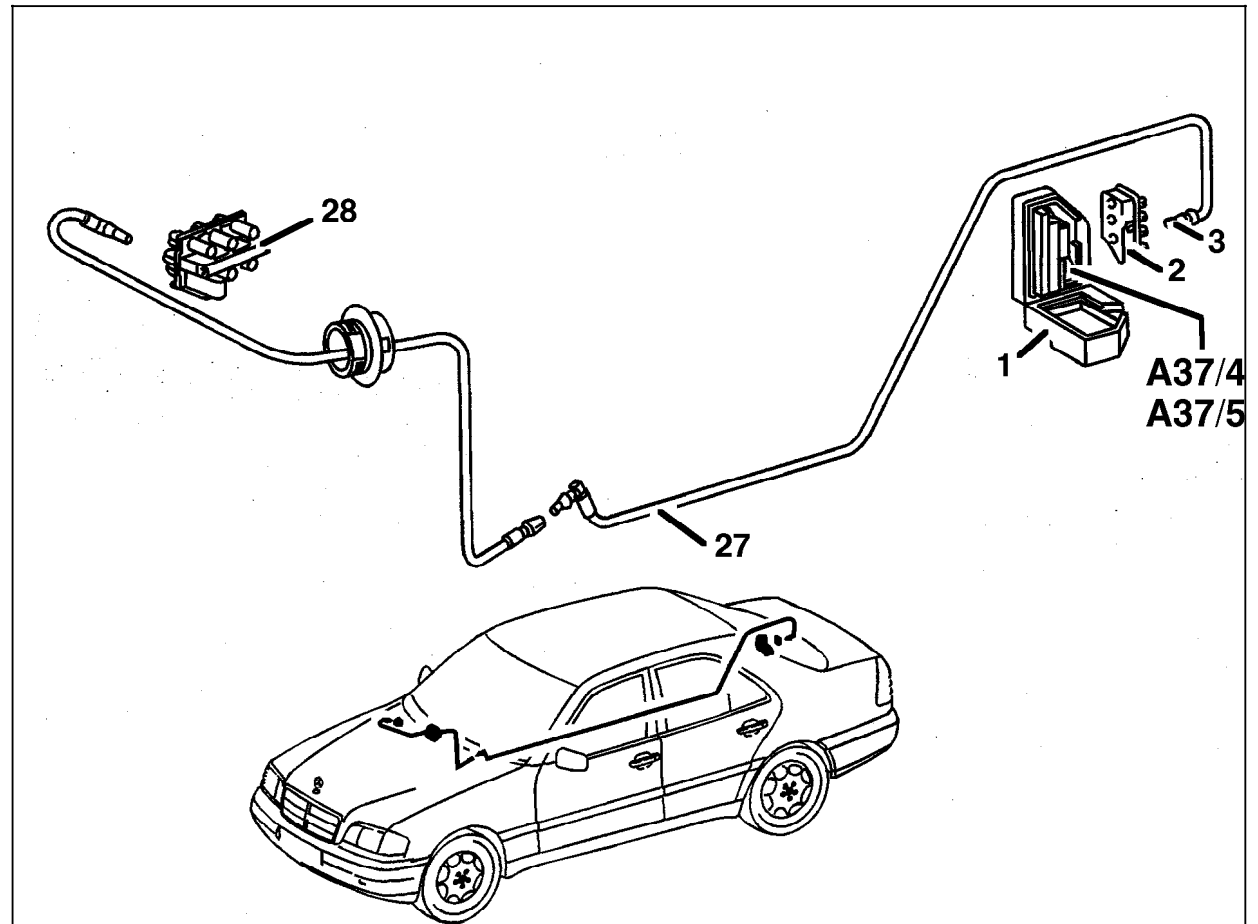


Figure 1

- A37/4 PSE control module (CL, MVA)
- A37/5 PSE control module (CL, OSB, MVA)
- 1 Foam cube
- 2 Pneumatic multiple connector (vehicles up to 12/93 only)
- 3 Pneumatic hose set (color code: yellow = CL; transparent = MVA; grey = OSB)
- 27 MVA pneumatic hose set (disconnect in front passenger footwell)
- 28 Vacuum distribution block

P80-5123-57