

Electrical Test Program – Component Locations (Orthopedic Seat Backrest)

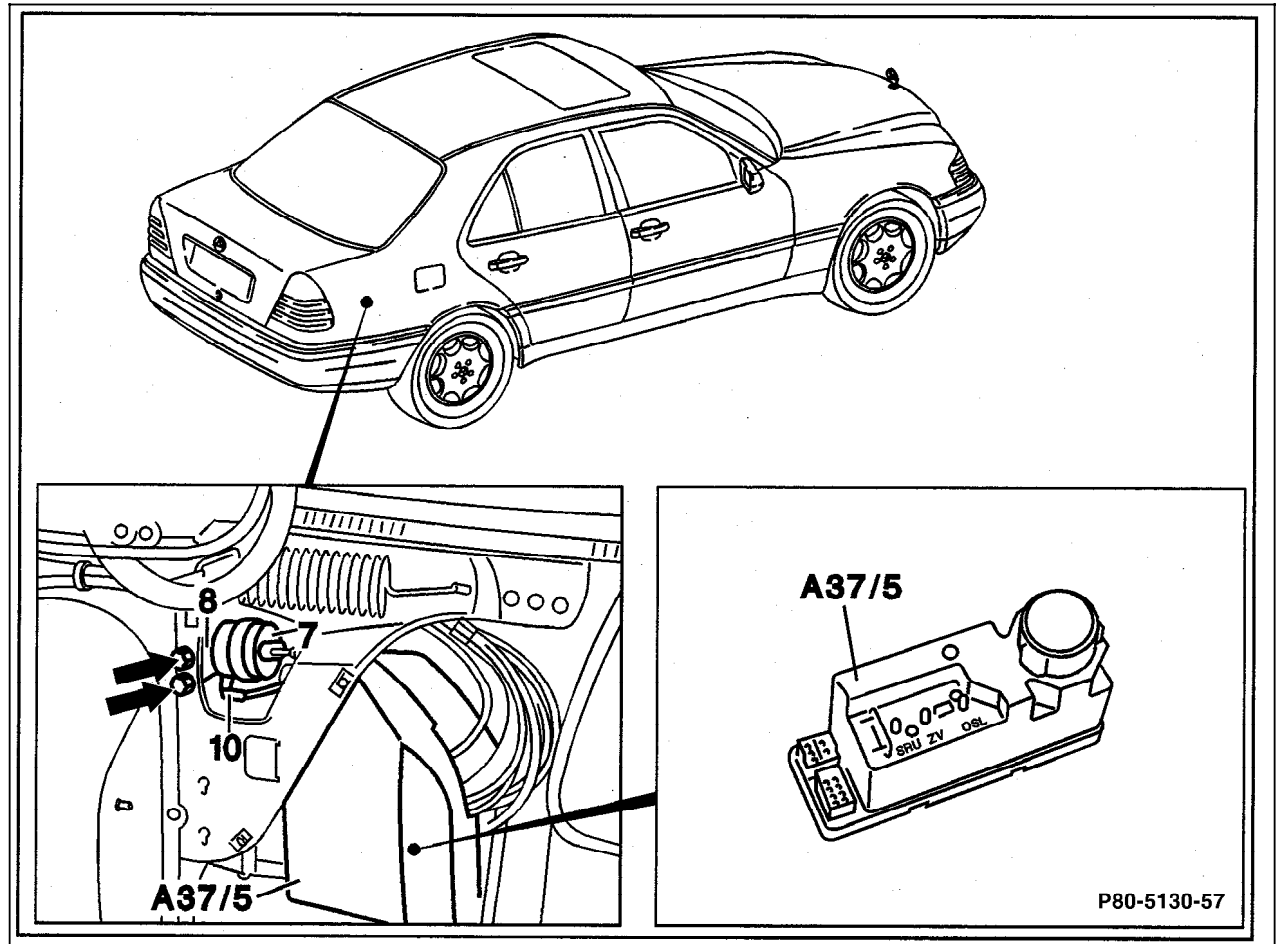


Figure 1
A37/5 PSE control module

P80-5130-57