

Pneumatic Test Program – Component Locations (OSB)

Multi-contour backrest

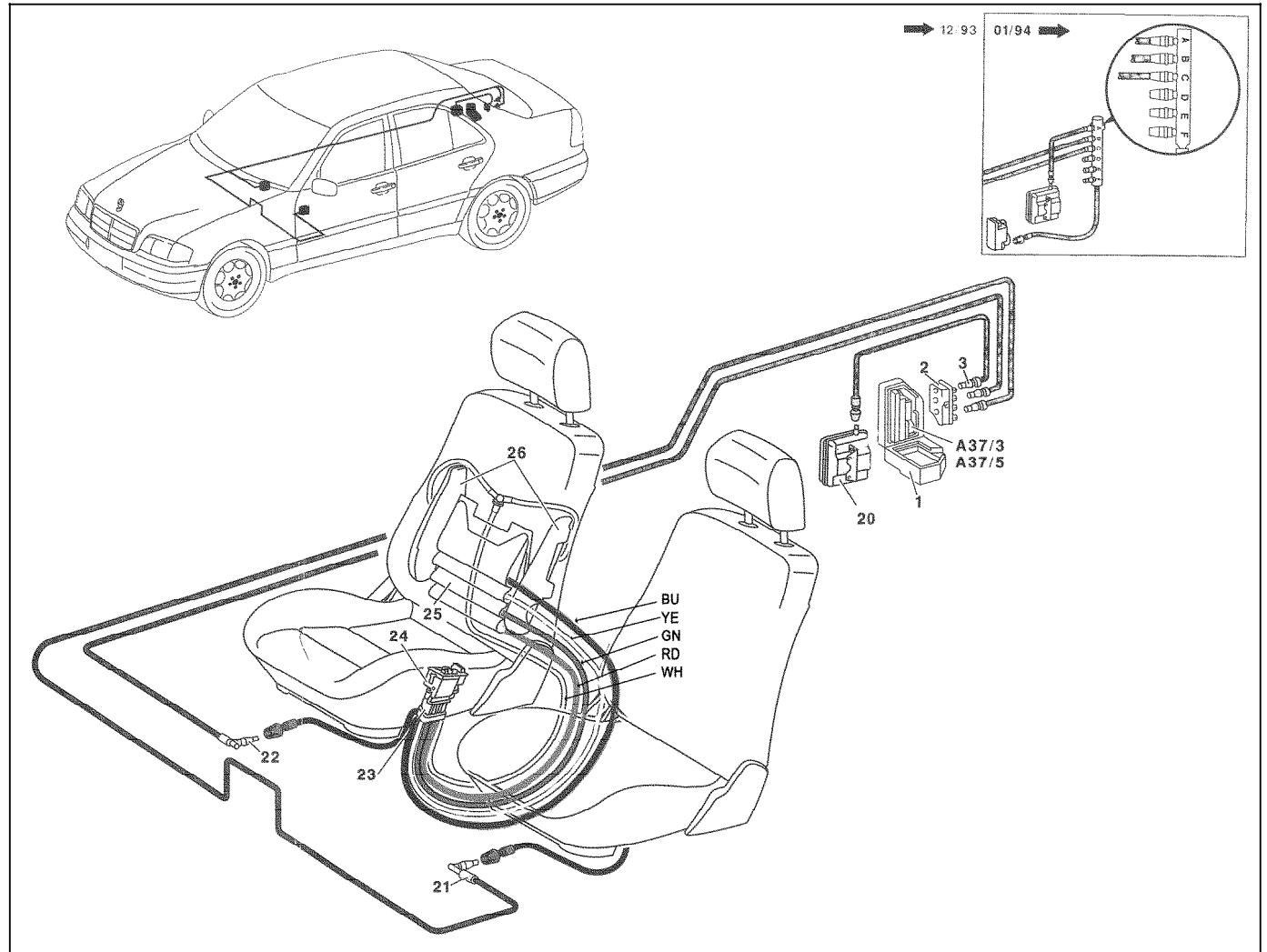


Figure 1

- A37/5 PSE control module (CL, MVA, OSB)
- 1 Foam cube
- 2 Pneumatic distributor connector
- 3 Pneumatic hose set (color code: yellow = CL; transparent = MVA; grey = OSB)
- 20 OSB reservoir
- 21 OSB pneumatic hose (left front seat)
- 22 OSB pneumatic hose (right front seat)
- 23 OSB pneumatic hose set (right front seat, left front seat is mirror image)
- 24 OSB control valve (right front seat, left front seat is mirror image)
- 25 OSB center insert (right front seat, left front seat is mirror image)
- 26 OSB side bolster inserts (right front seat, left front seat is mirror image)
- BU Blue
- YE Yellow
- GN Green
- RD Red
- WH White

P80-5184-06x