

Electrical Test Program – Component Locations (PSE)

Note:

There are 2 versions of the PSE control module (A37/4, A37/5), which are supplied based on the options supplied with the vehicle. The 2 versions have distinctively colored housing bases:

PSE Control Module	Housing base color
A37/4 (CL, MVA)	Grey
A37/5 (CL, MVA, OSB)	Ivory

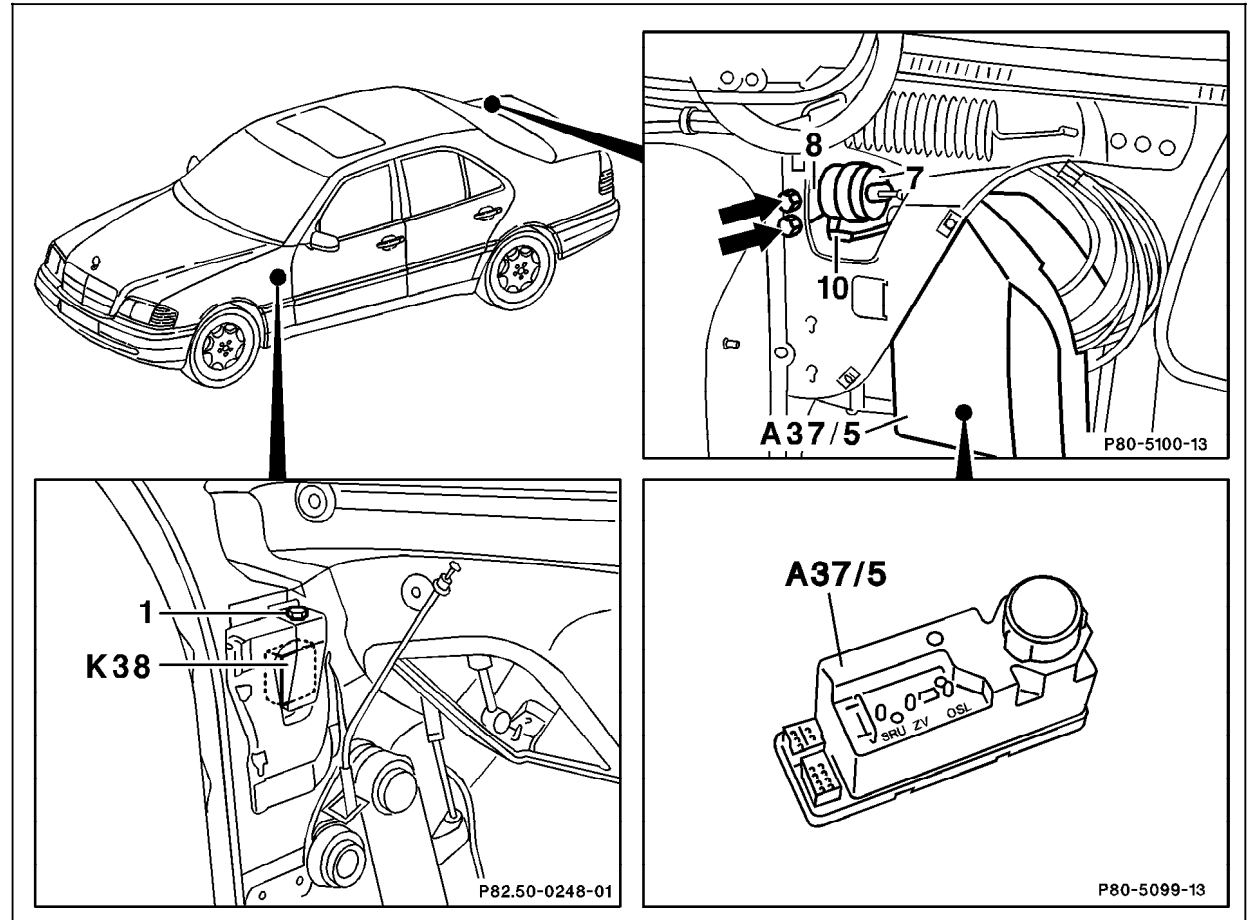


Figure 1

- A37/5 PSE control module (CL, OSB, MVA)
- K38 Starter lock-out relay module
(vehicles as of production start up and up to MY 1996)

P80-5179-57