

Electrical Test Program – Component Locations (CL)

Model 170

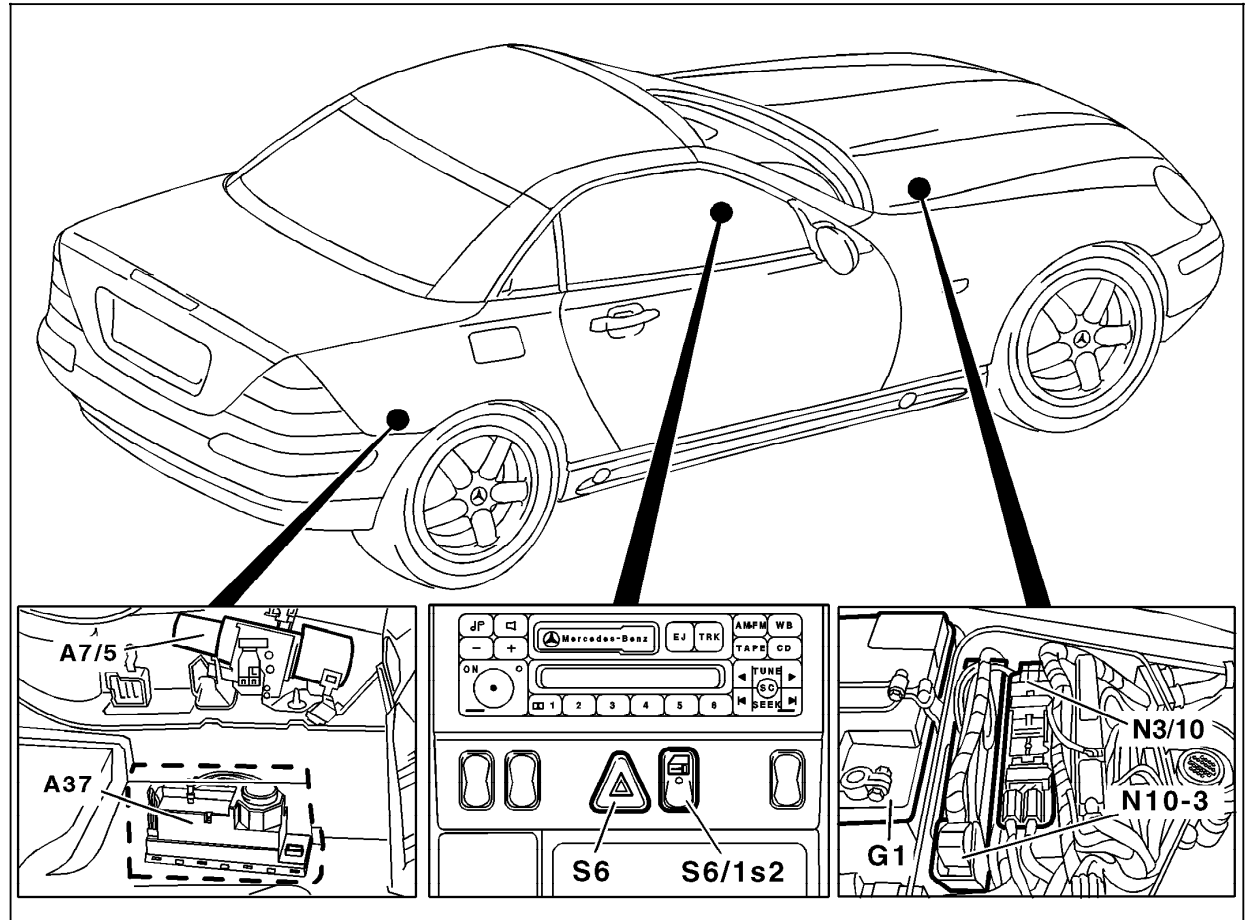


Figure 1

- A7/5 Retractable hardtop hydraulic unit
- A37 PSE control module
- G1 Battery
- N3/10 Engine control module (ME-SFI)
- N10-3 Combination control module
- S6 Hazard flasher switch
- S6/1s2 Interior switch (CL)

U80.20-0313-06

Electrical Test Program – Component Locations (CL)

Model 210

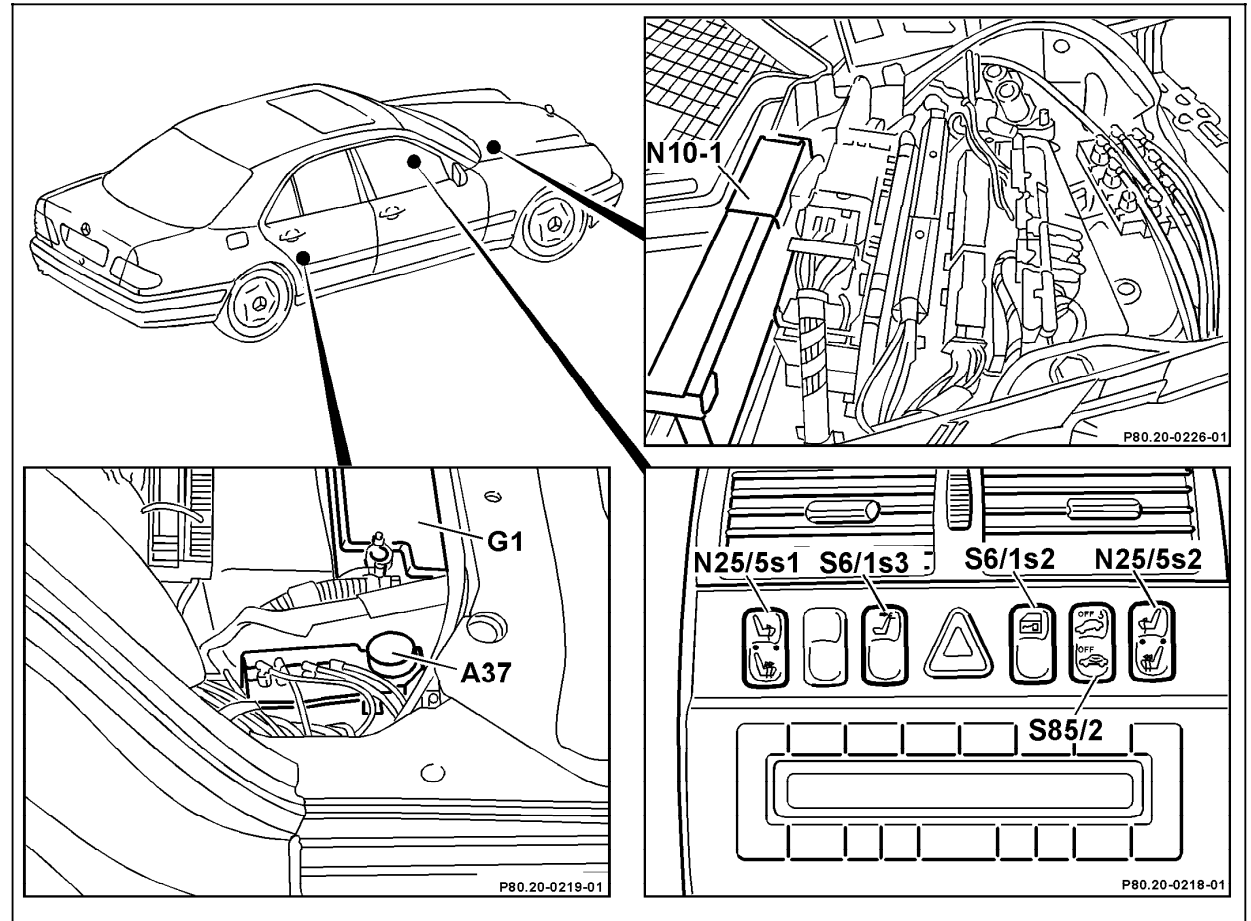


Figure 2

- A37 PSE control module
- G1 Battery
- N10-1 Combination control module
- N25/5s1 Left front HS switch
- N25/5s2 Right front HS switch
- S6/1s2 Interior switch (CL)
- S6/1s3 RHR unlocking switch
- S85/2 ATA status /towing protection/IR switch

P80.20-0314-06

Electrical Test Program – Component Locations (CL)

Model 210

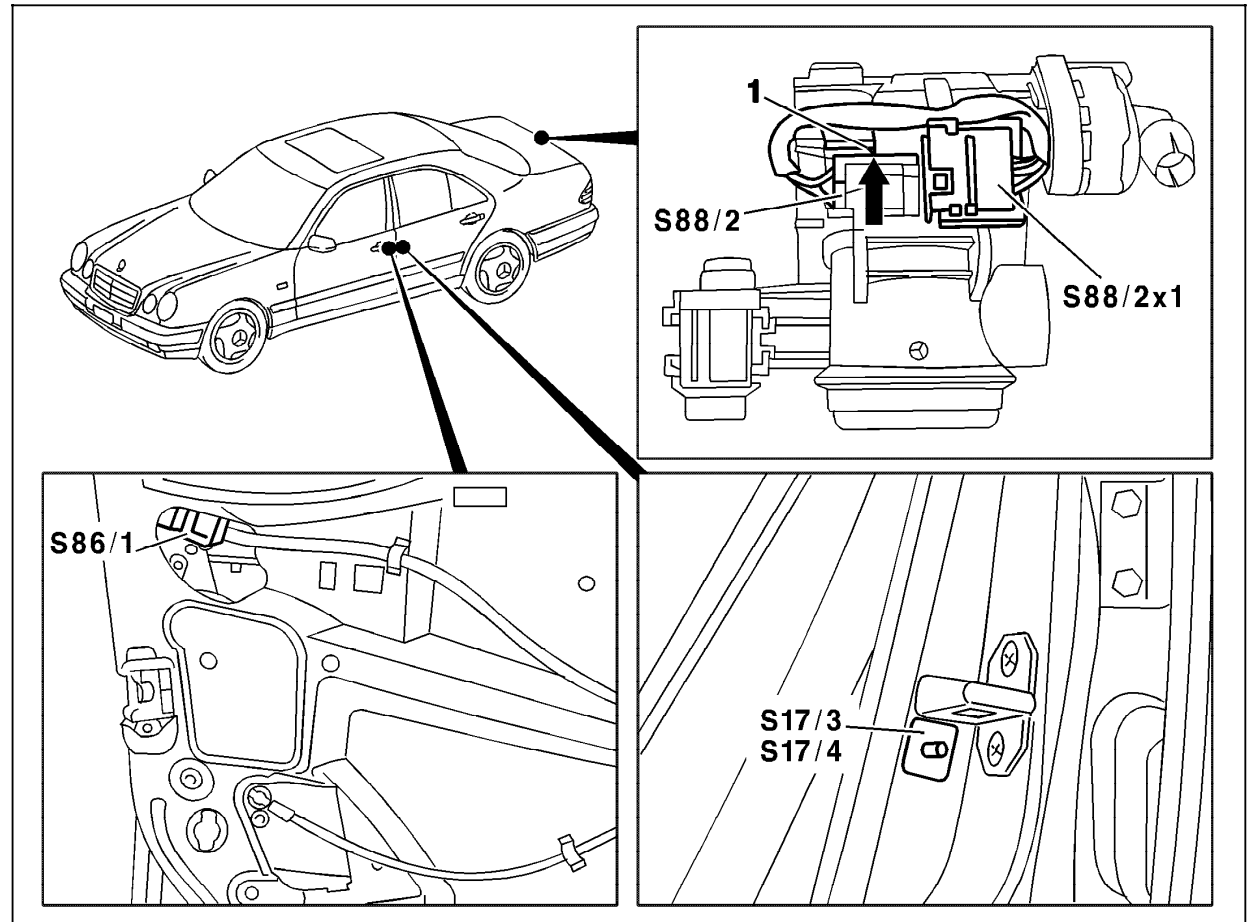


Figure 3

- S17/3 Left front door switch
- S17/4 Right front door switch
- S86/1 Left front door lock switch
- S88/2 Trunk lid lock switch

U80.20-0229-06