

Electrical Test Program – Component Locations (MVA)

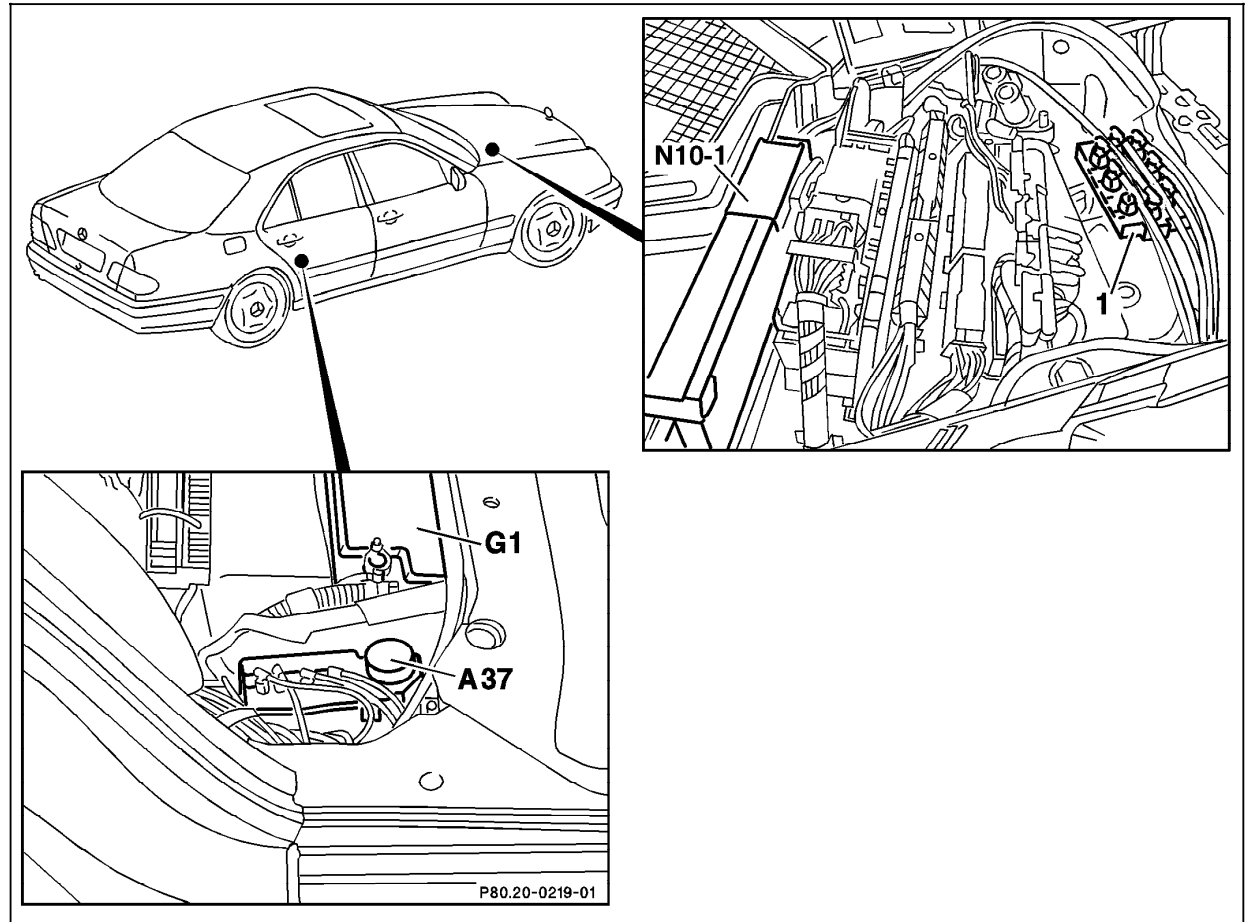


Figure 1

- A37 PSE control module, combined functions
- G1 Battery
- N10-1 Combination control module

U80.20-0224-06