

#### Electrical Test Program – Component Locations (Orthopedic Seat Backrest)

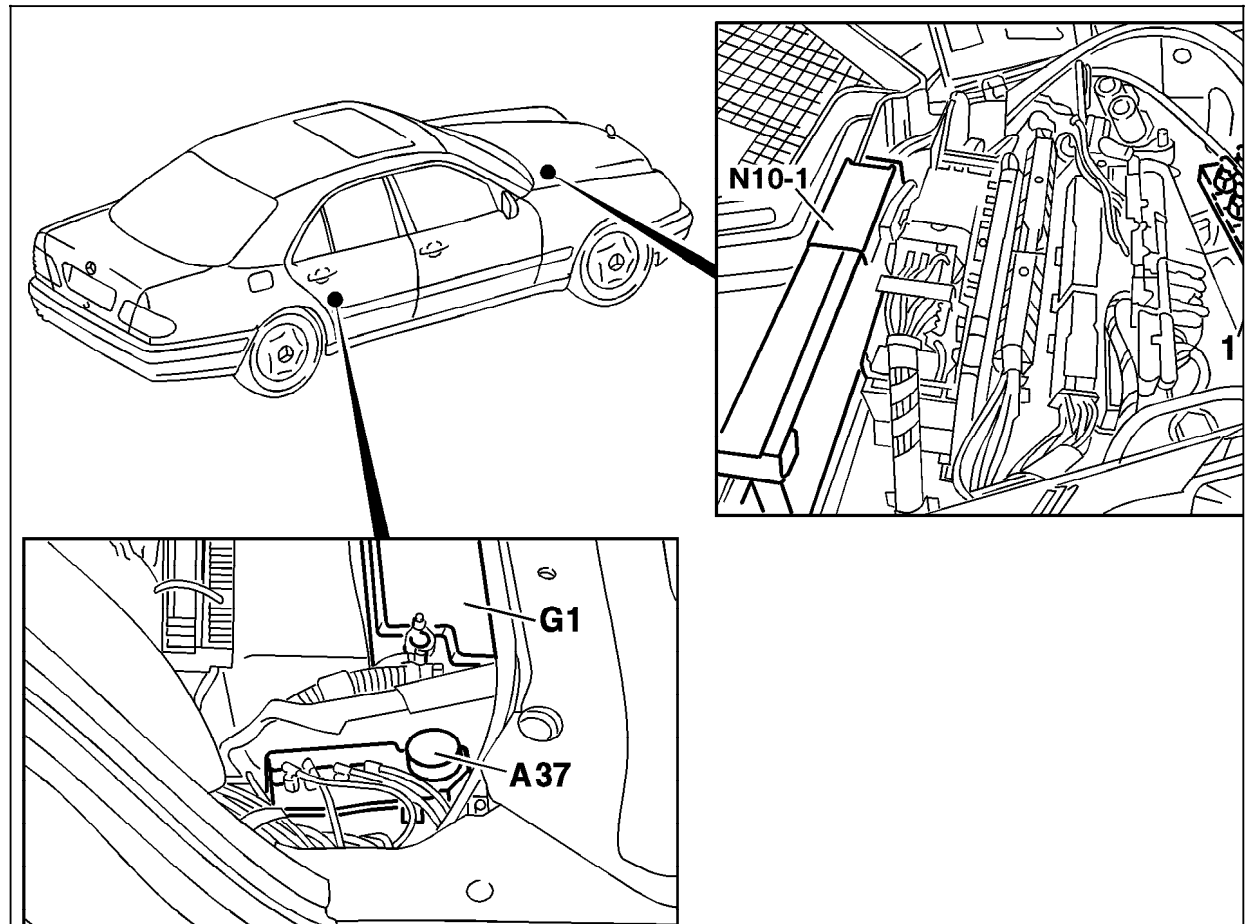


Figure 1

- A37 PSE control module, combined function
- G1 Battery
- N10-1 Combination control module

U80.20-0224-06