

Pneumatic Test Program – Component Locations (OSB)

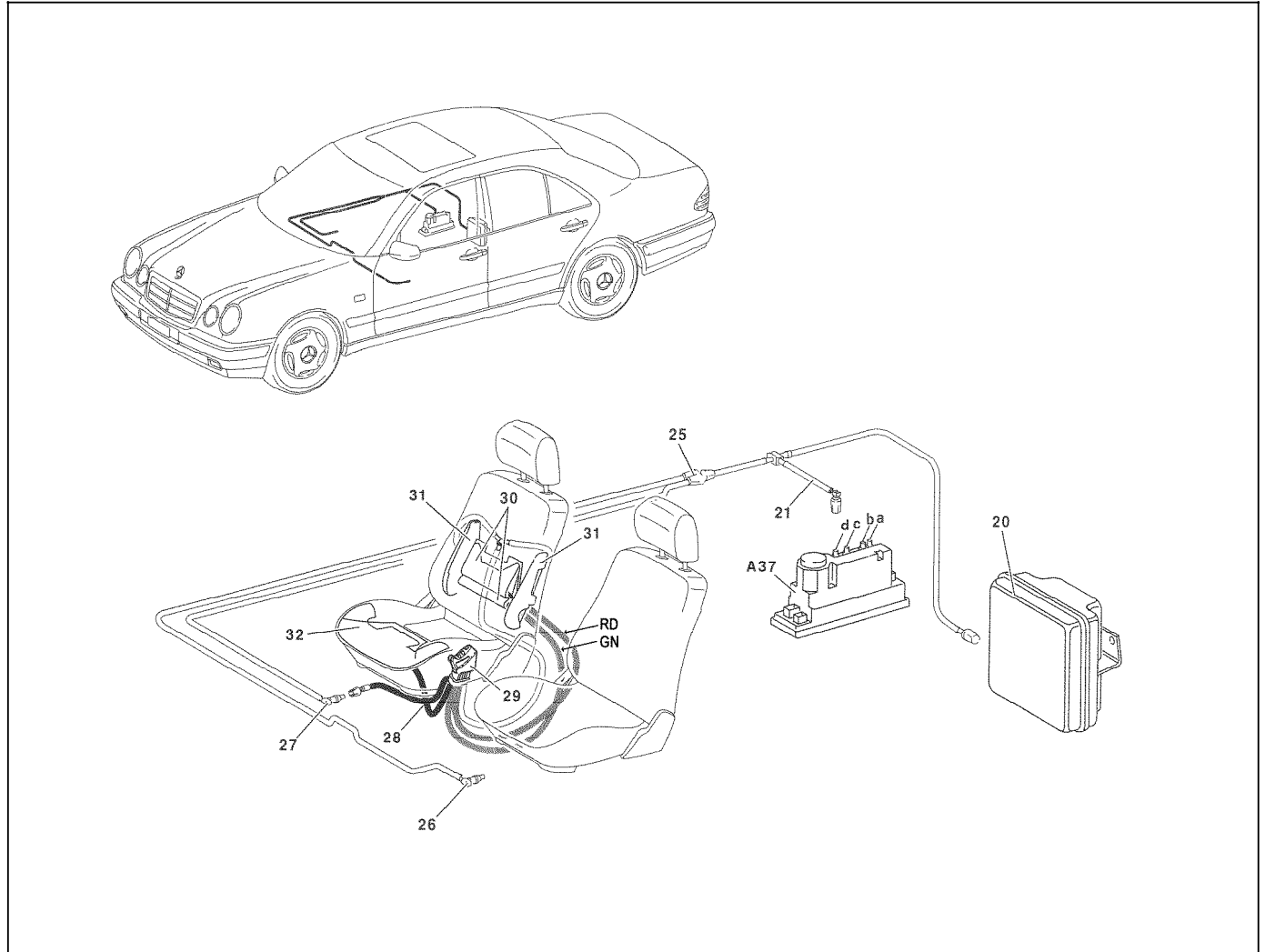


Figure 1

- A37 PSE control module, combined functions
- a Pneumatic connection, OSB
- b Pneumatic connection, MVA
- c Pneumatic connection CL, RTR
- d Pneumatic connection, RHR
- 20 OSB reservoir
- 21 OSB pneumatic hose (color code: gray)
- 25 Pneumatic distributor
- 26 Pneumatic line, OSB, left front seat
- 27 Pneumatic line, OSB, right front seat
(left front seat is mirror image)
- 28 Pneumatic hose set, OSB right front seat
(left front seat is mirror image)
- 29 OSB control valve, right front seat
(left front seat is mirror image)
- 30 OSB center insert
(left front seat is mirror image)
- 31 OSB side bolster insert
(left front seat is mirror image)
- 32 OSB seat bottom insert
(left front seat is mirror image)
- RD Red
- GN Green

P80-5270-06x