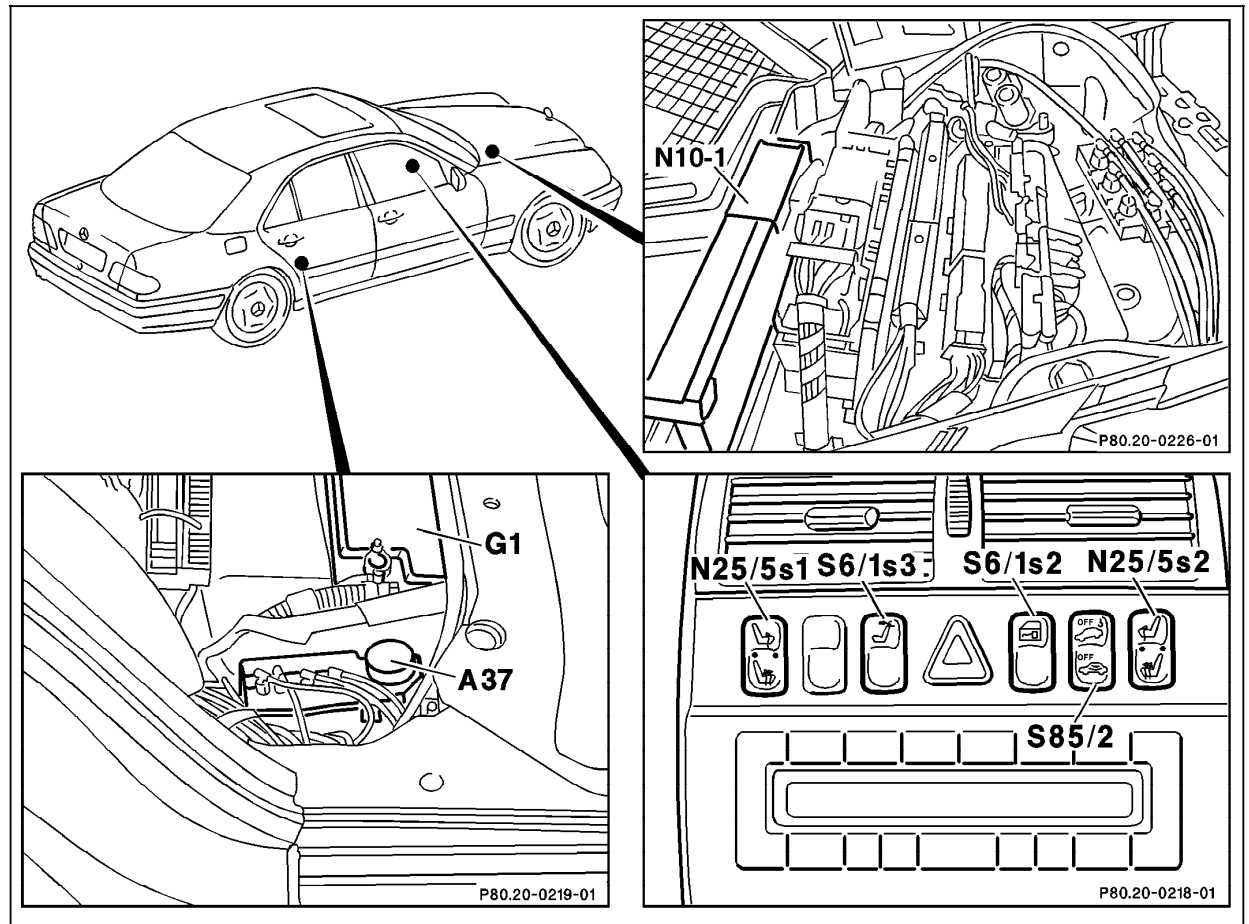


Electrical Test Program – Component Locations (RHR)



U80.20-0222-06