

#### Pneumatic Test Program – Component Locations (RHR)

#### Component Locations

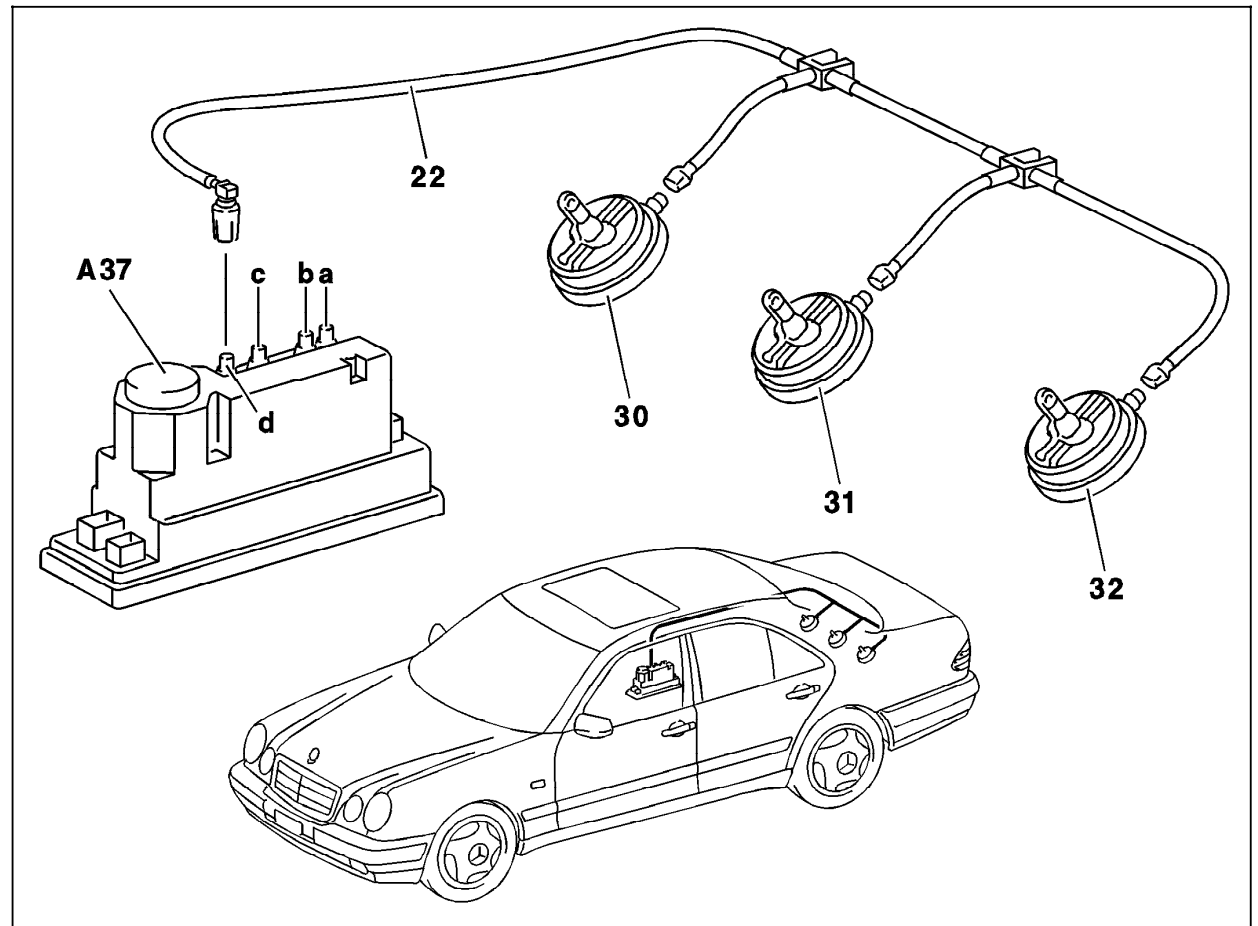


Figure 1

- A37 PSE control module, combined functions
- a Pneumatic connection OSB
- b Pneumatic connection MVA
- c Pneumatic connection CL, RTR
- d Pneumatic connection RHR
- 22 Pneumatic line RHR (color code: white/blue)
- 30 Pneumatic actuator RHR, right side
- 31 Pneumatic actuator RHR, center
- 32 Pneumatic actuator RHR, left side

P80.20-0215-06