

#### Pneumatic Test Program – Component Locations (RTR)

#### Component Locations

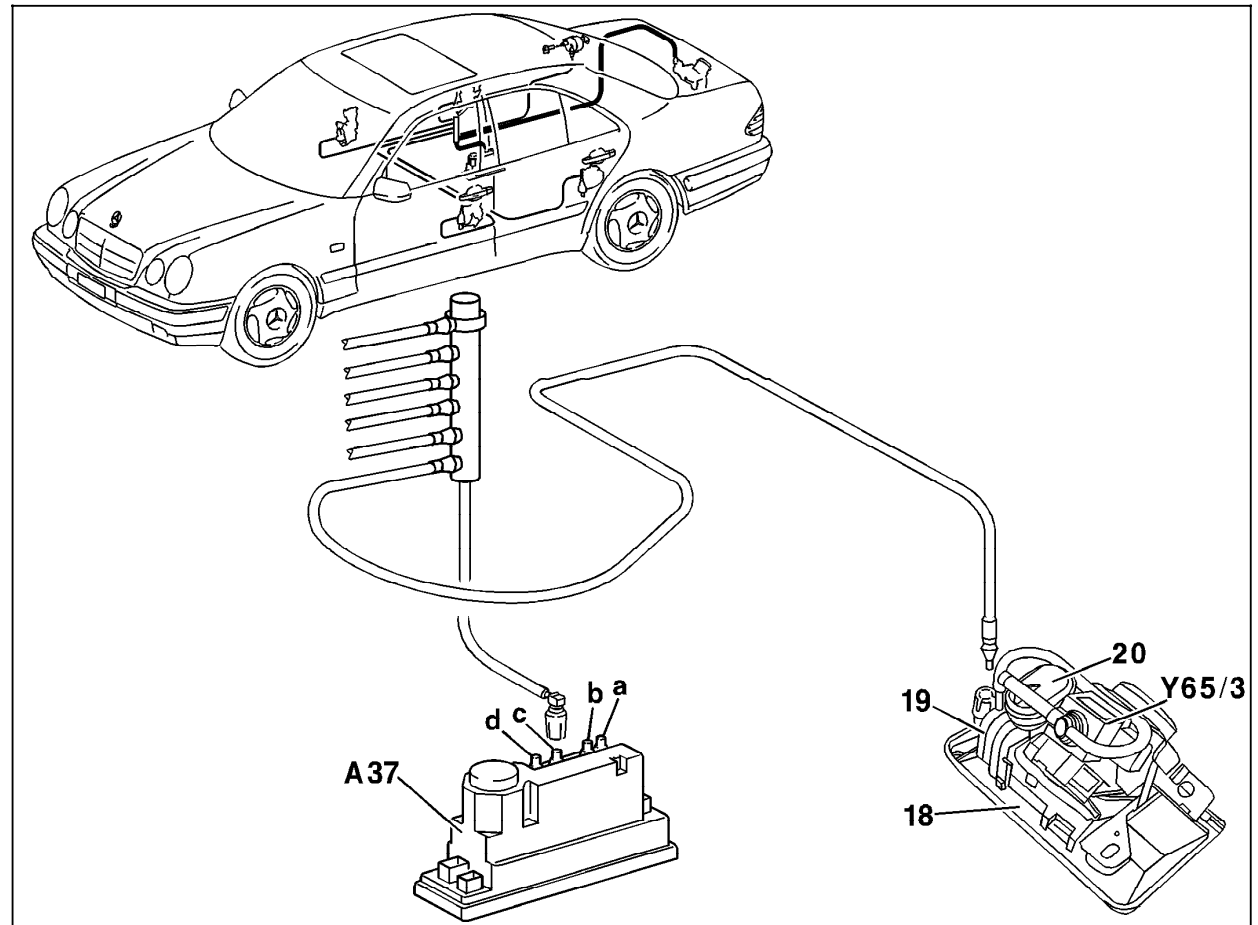


Figure 1

- A37 PSE control module, combined functions
- a Pneumatic connection OSB
- b Pneumatic connection MVA
- c Pneumatic connection CL, RTR
- d Pneumatic connection RHR
- Y65/3 RTR control valve (CL)
- 18 Trunk lid lock
- 19 Trunk lid CL actuator
- 20 Remote trunk lid release pneumatic actuator

P80.20-0241-06