

Electrical Test Program - Preparation for Test

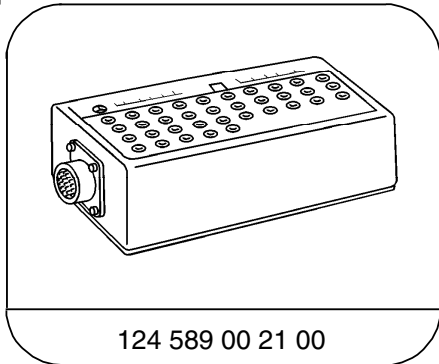
Preparation for Test:

1. Fuses for PSE system and PSE control module ok,
2. Battery voltage 11 – 14 V,
3. Provide access to PSE control module (A37),
4. Provide access to combination control module (N10-1 or N10-3),
5. Connect socket box with test cable according to connection diagram, see 22, Figure 1 – 3.

Electrical Wiring Diagrams:

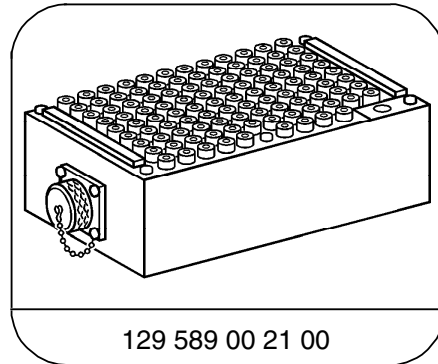
See Electric Troubleshooting Manual, Model 170, (please see future ETM),
Model 210, Volume 2, group 80

Special Tools



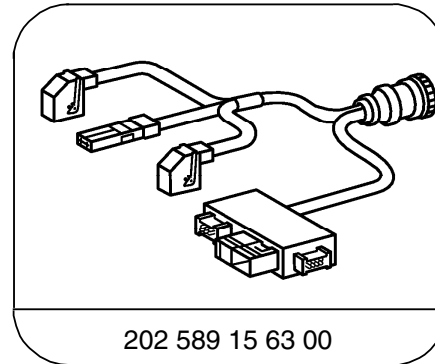
124 589 00 21 00

35-pin socket box



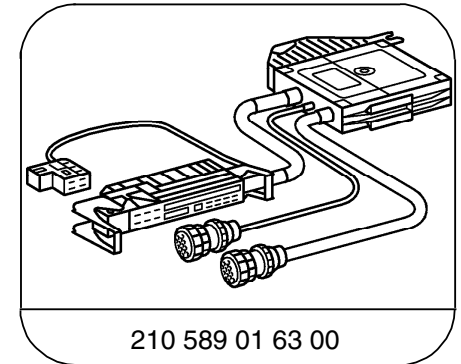
129 589 00 21 00

126-pin socket box



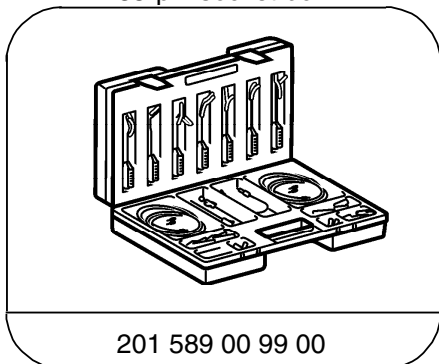
202 589 15 63 00

18-pin and 12-pin CAN test cable



210 589 01 63 00

78-pin test cable



201 589 00 99 00

Electrical connecting set

3.3 Pneumatic System Equipment (PSE)

Models 170, 210

Conventional tools, test equipment

Description	Brand, model, etc.
Multimeter ¹⁾	Fluke models 23, 83, 85, 87

¹⁾ Available through the MBUSA Standard Equipment Program.

Electrical Test Program - Preparation for Test

Connection Diagram - Socket Box
Model 170

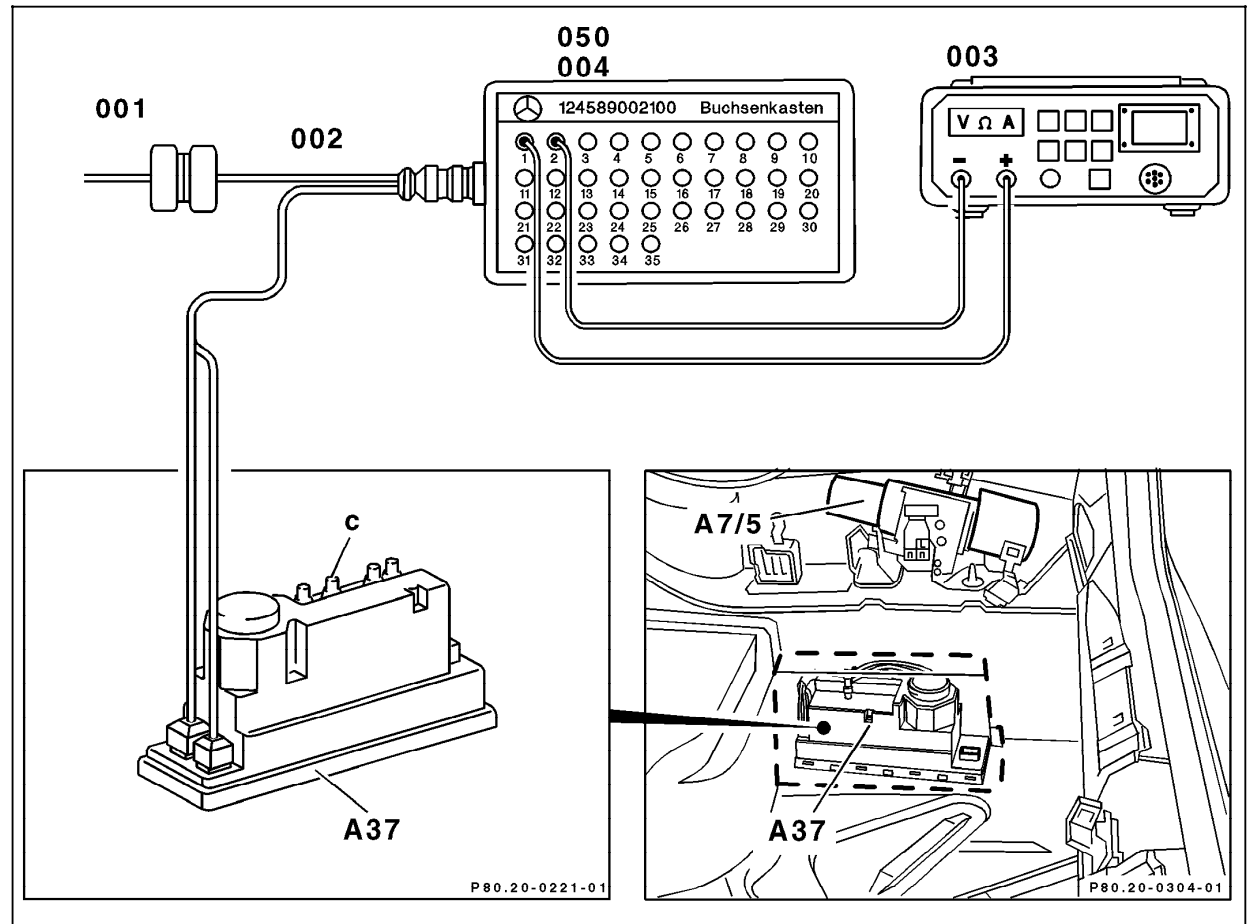


Figure 1

- A37 PSE control module, combined functions
- 001 PSE control module connector
- 002 Test cable
- 003 Multimeter
- 004/050 Socket box (35-pole)

P80.20-0311-06

Electrical Test Program - Preparation for Test

Connection Diagram - Socket Box

Model 210

(sedan shown)

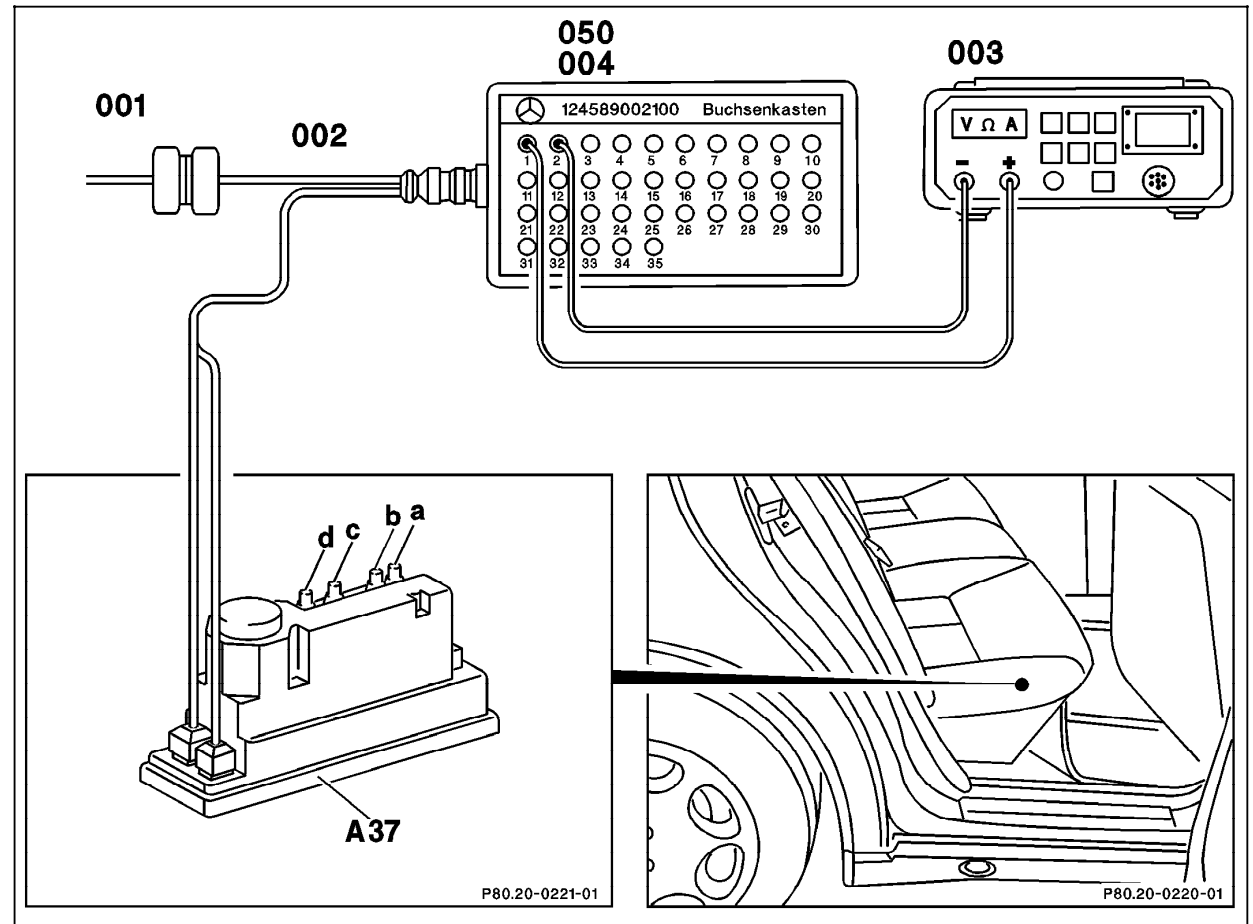


Figure 2

- A37 PSE control module, combined functions
- 001 PSE control module connector
- 002 Test cable
- 003 Multimeter
- 004/050 Socket box (35-pole)

P80.20-0213-06

Electrical Test Program - Preparation for Test

Connection Diagram - Socket Box

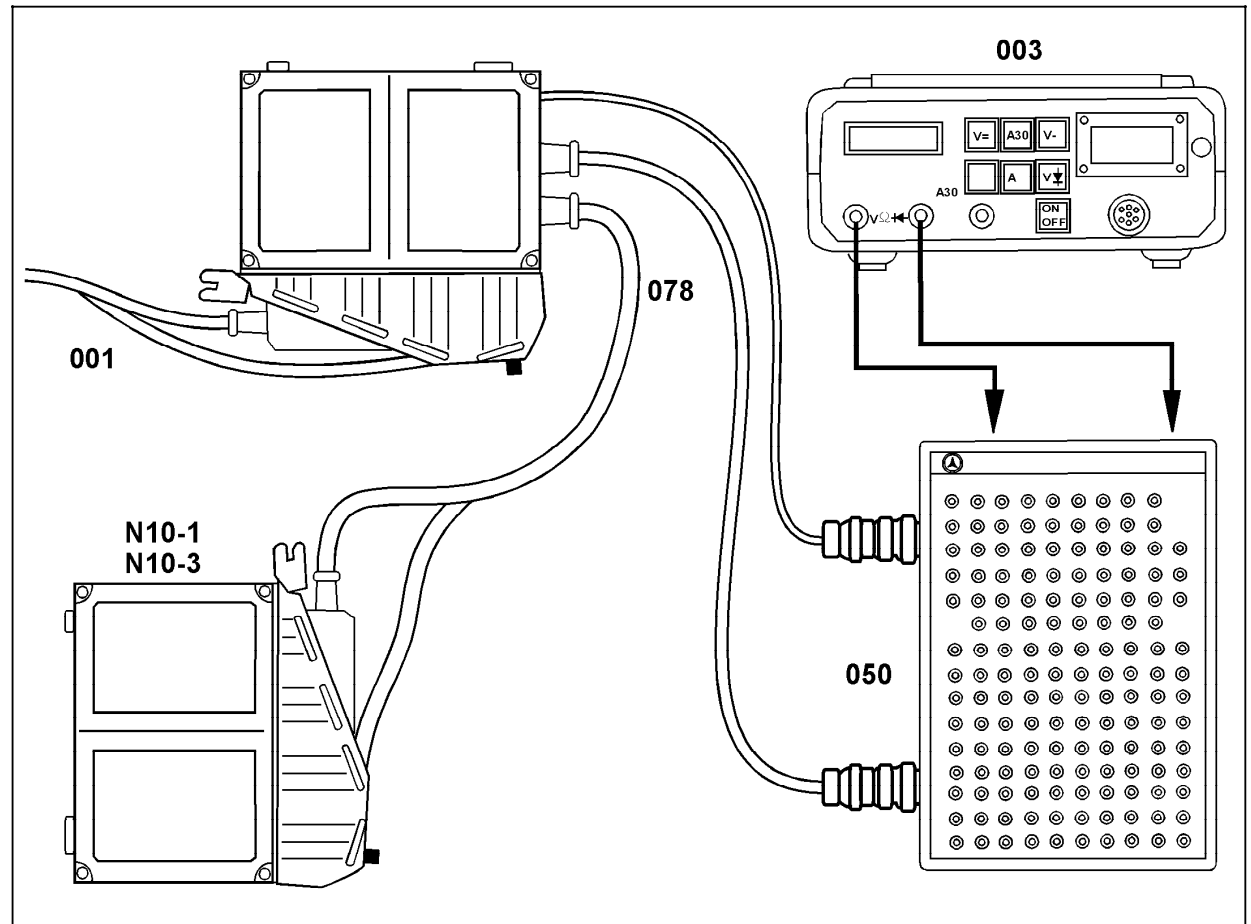


Figure 3

- N10-1 Combination control module (model 210)
- N10-3 Combination control module (model 170)
- 001 PSE control module connector
- 002 Test cable
- 003 Multimeter
- 050 Socket box (35-pole)

P82.40-0214-06