

#### Electrical Test Program – Component Locations

#### Model 170

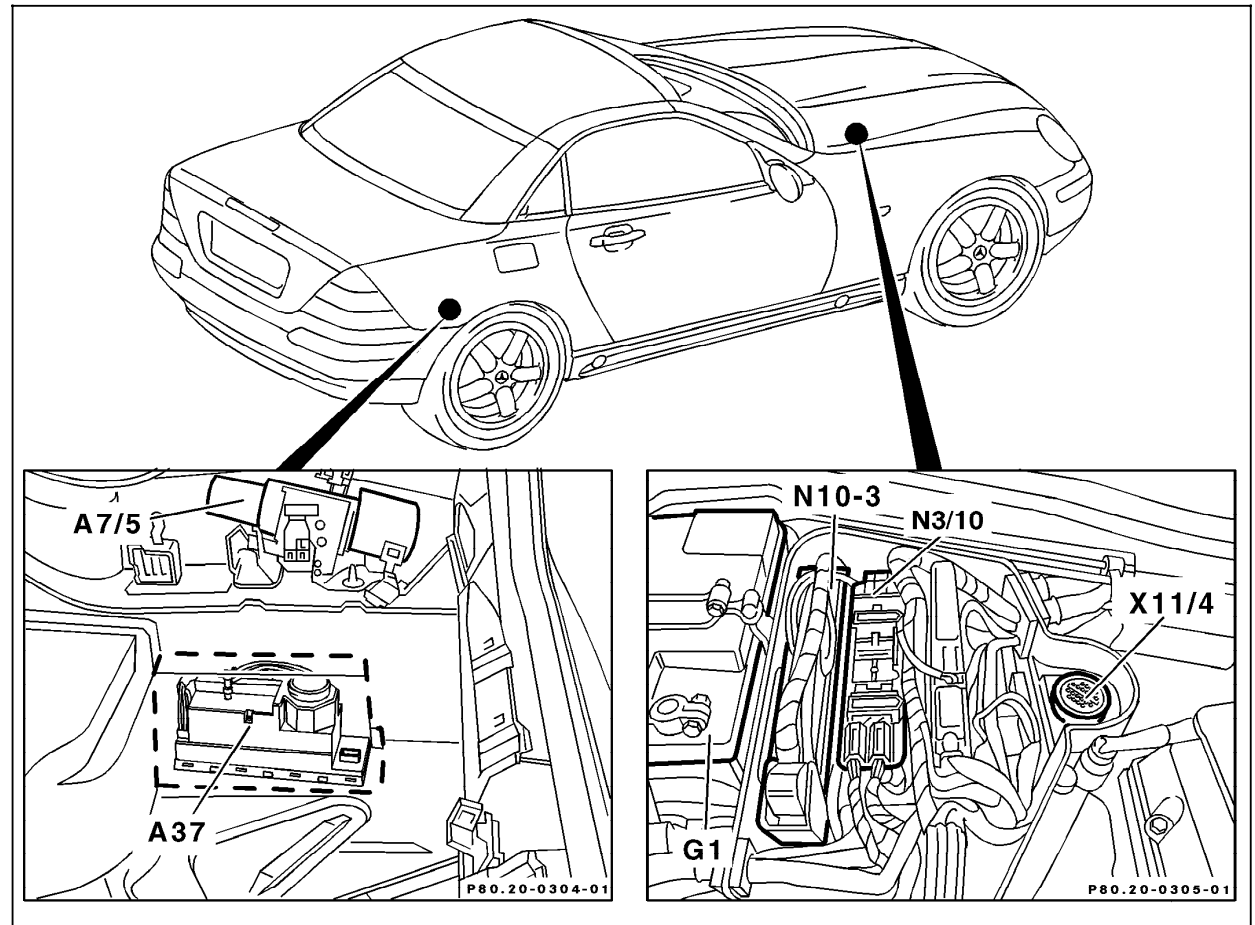


Figure 1

- A7/5 Retractable hardtop hydraulic unit
- A37 PSE control module
- G1 Battery
- N3/10 Engine control module (ME-SFI)
- N10-3 Combination control module
- X11/4 Data link connector (DTC readout)

U80.20-0306-06

Electrical Test Program – Component Locations

Model 210

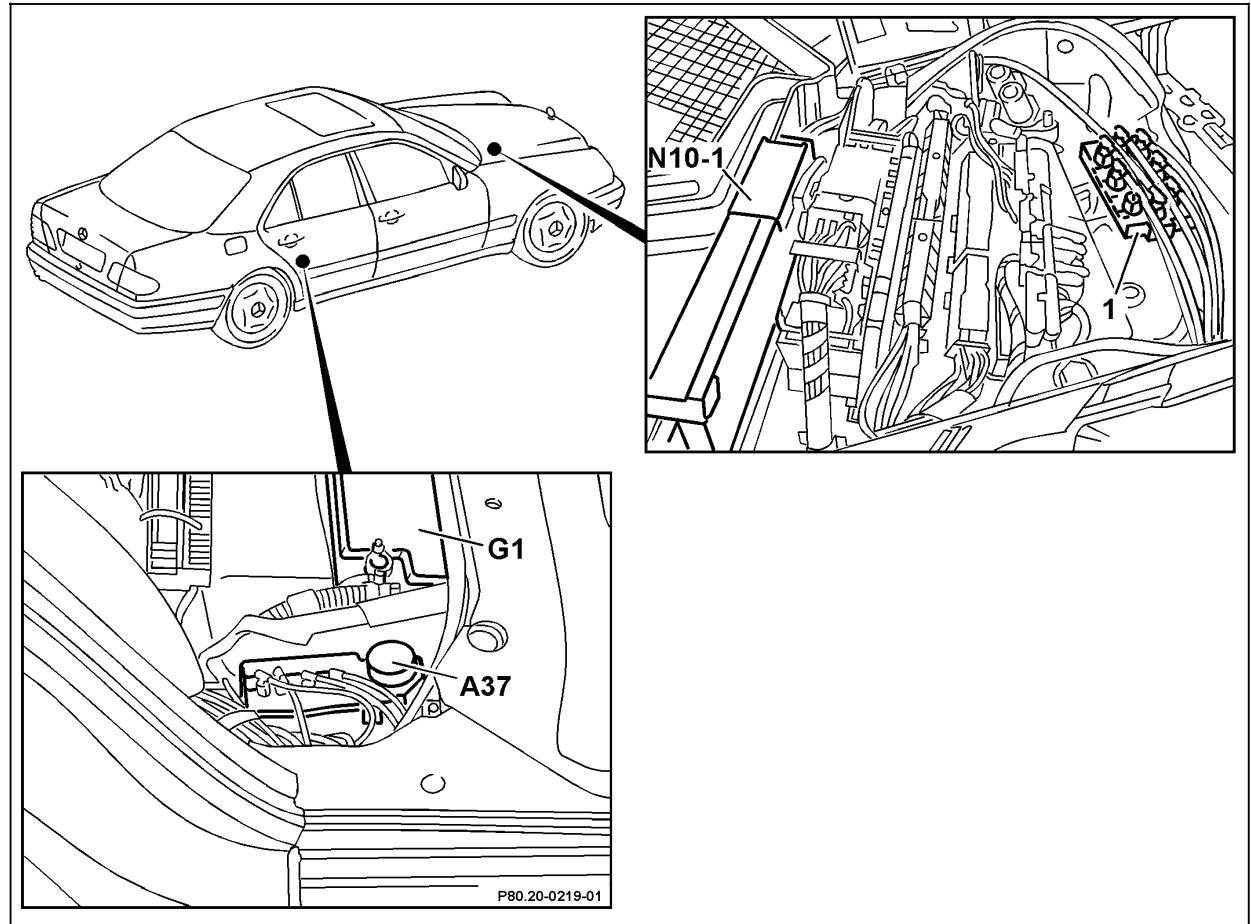


Figure 2

- A37 PSE control module
- G1 Battery
- N10-1 Combination control module
- 1 Vacuum distribution block

P80.20-0307-06