

Pneumatic Test Program – Component Locations (CL)

Model 210 sedan

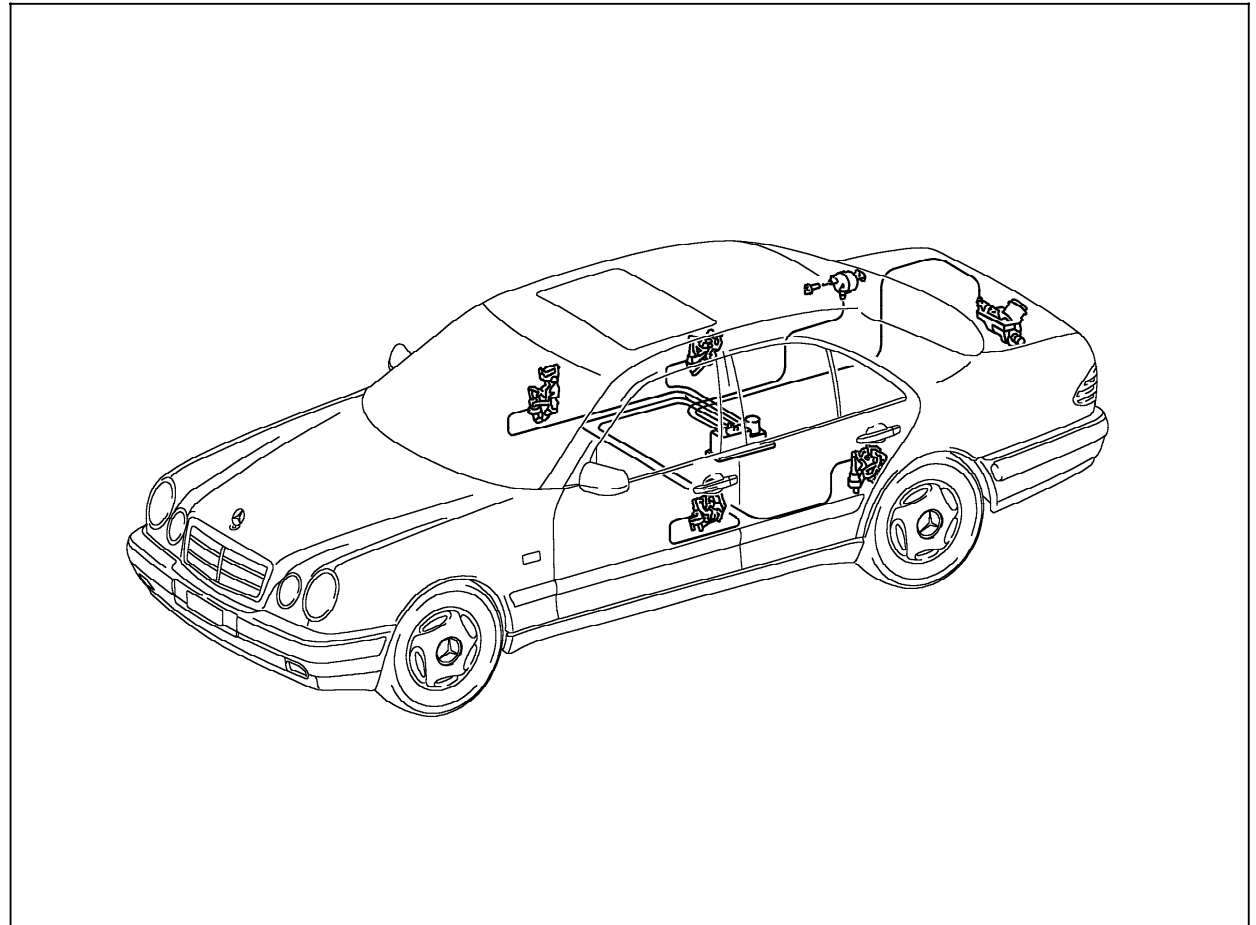


Figure 1

See Figure 2 for component designations

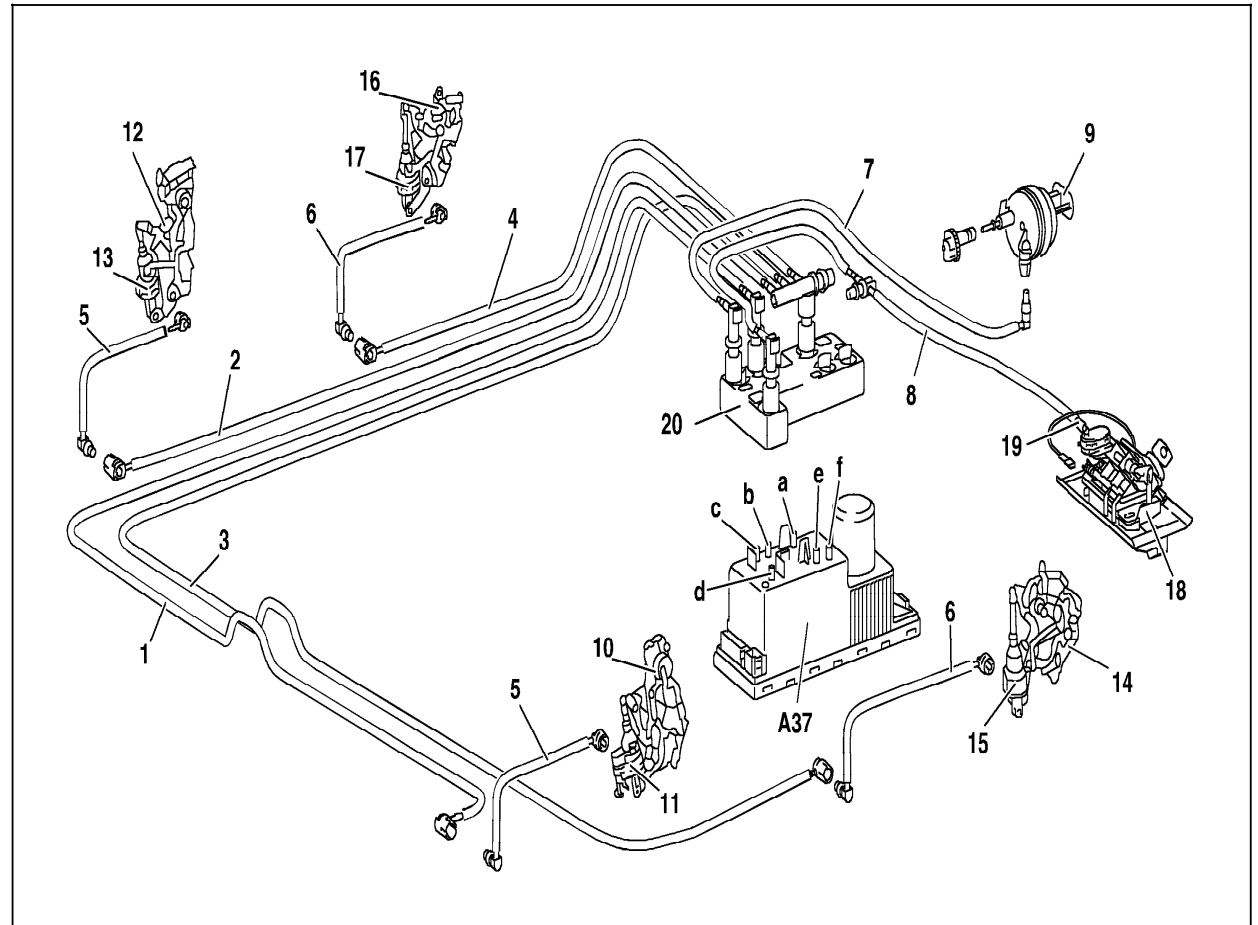
P80.20-0499-09

Pneumatic Test Program – Component Locations (CL)

Model 210 sedan

Figure 2

- A37 PSE control module, combined functions
- a Pneumatic connection, passenger/rear doors
- b Pneumatic connection, driver-side door
- c Pneumatic connection, fuel tank filler flap
- d Pneumatic connection, RTR/RHR
- e Pneumatic connection, OSB
- f Pneumatic connection, MVA
- 1 Pneumatic line (CL), driver-side door frame floor
- 2 Pneumatic line (CL), passenger-side door frame floor
- 3 Pneumatic line (CL), left rear door frame floor
- 4 Pneumatic line (CL), right rear door frame floor
- 5 Pneumatic line, front doors
- 6 Pneumatic line, rear doors
- 7 Pneumatic line (CL), fuel filler flap frame floor
- 8 Pneumatic line (CL), trunk lid release frame floor
- 9 Pneumatic actuator, fuel filler flap
- 10 Driver-side door lock
- 11 Pneumatic actuator, driver-side door
- 12 Passenger-side door lock
- 13 Pneumatic actuator, passenger-side door
- 14 Left rear door lock
- 15 Pneumatic actuator, left rear door
- 16 Right rear door lock
- 17 Pneumatic actuator, right rear door
- 18 Trunk lid lock
- 19 Pneumatic actuator, trunk lid release
- 20 Control module connector



P80.20-0500-09

Pneumatic Test Program – Component Locations (CL)

Model 210 wagon

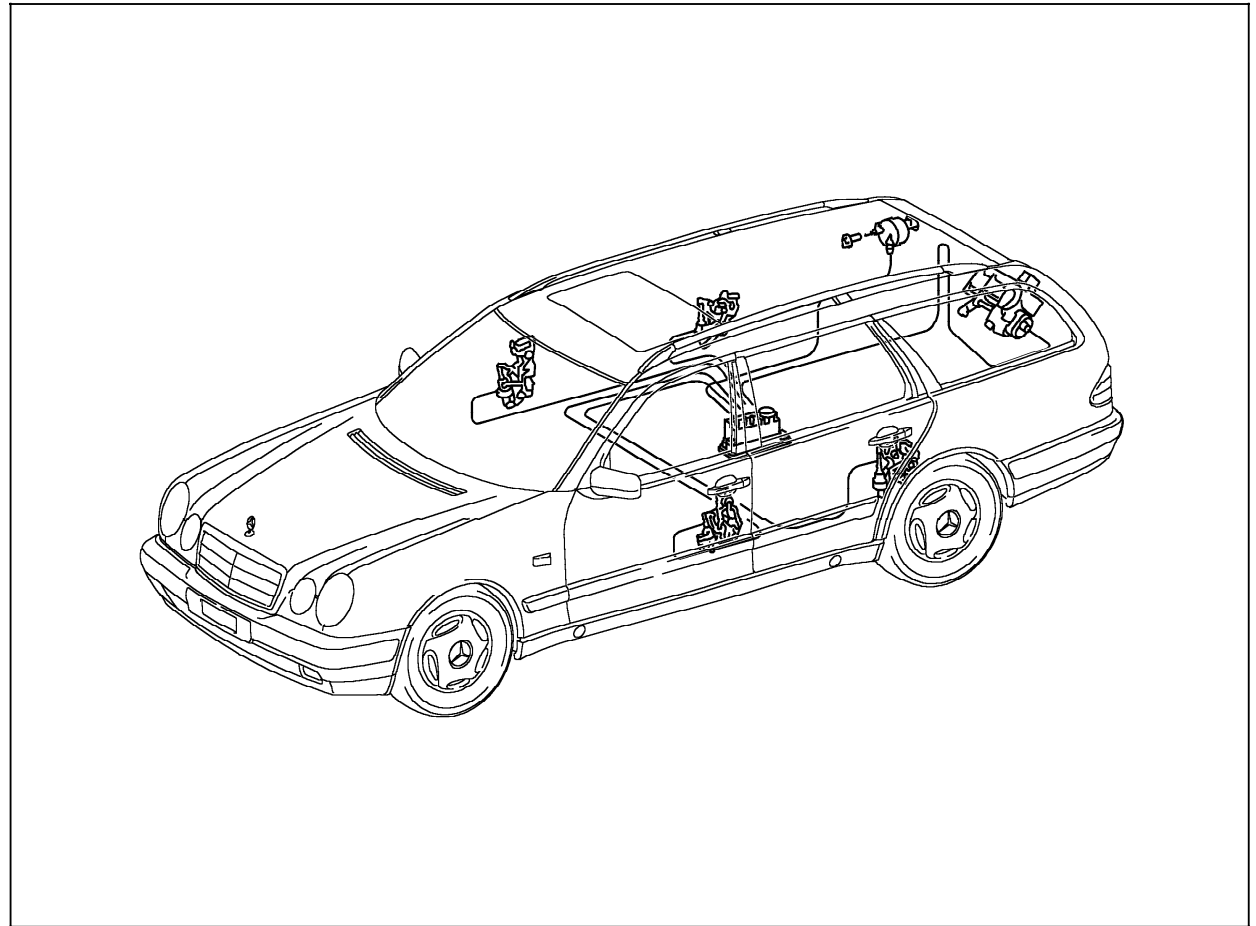


Figure 3

See Figure 4 for component designations

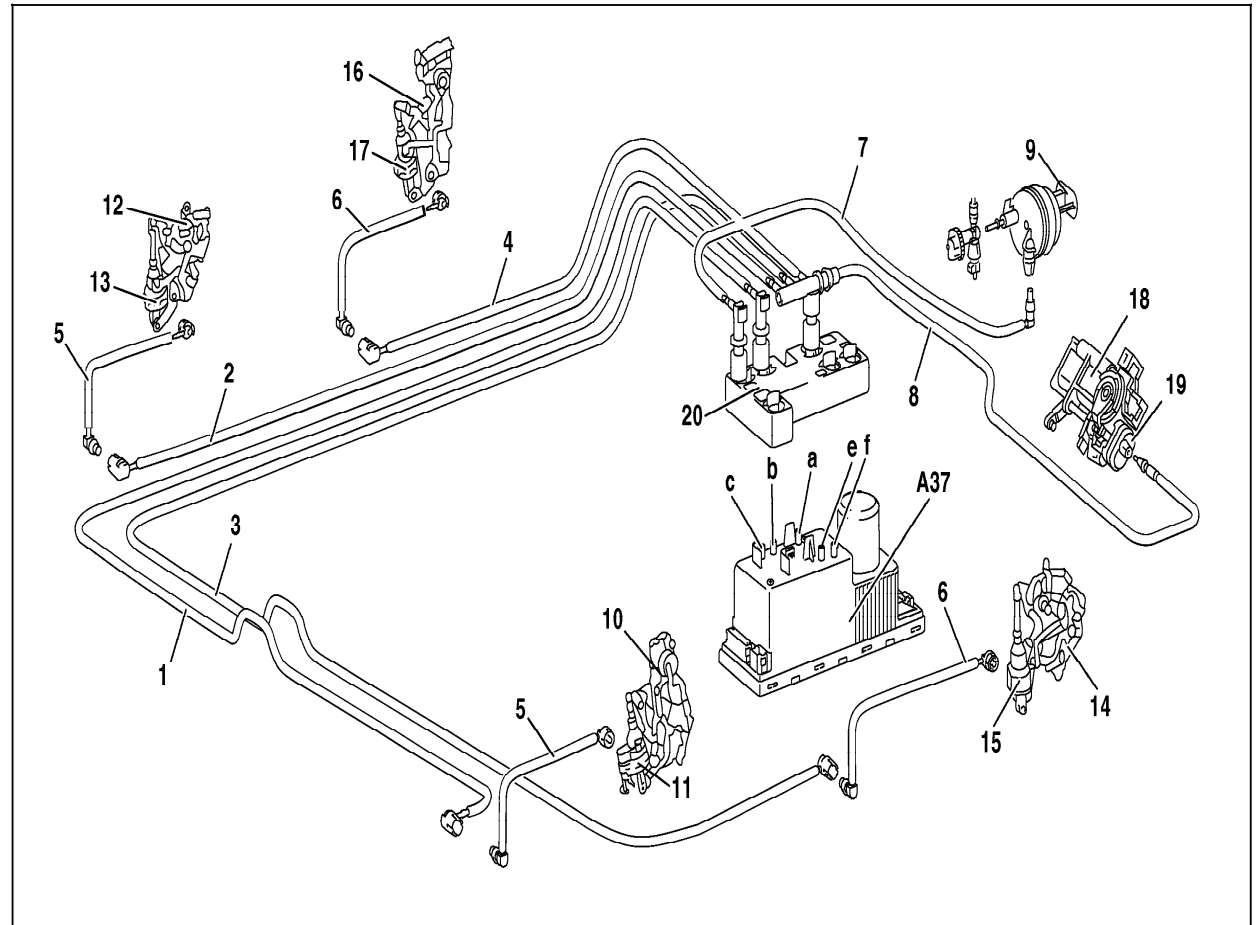
P80.20-0497-09

#### Pneumatic Test Program – Component Locations (CL)

##### Model 210 wagon

Figure 4

- A37 PSE control module, combined functions
- a Pneumatic connection, passenger/rear doors
- b Pneumatic connection, driver-side door
- c Pneumatic connection, fuel tank filler flap
- e Pneumatic connection, OSB
- f Pneumatic connection, MVA
- 1 Pneumatic line (CL), driver-side door frame floor
- 2 Pneumatic line (CL), passenger-side door frame floor
- 3 Pneumatic line (CL), left rear door frame floor
- 4 Pneumatic line (CL), right rear door frame floor
- 5 Pneumatic line, front doors
- 6 Pneumatic line, rear doors
- 7 Pneumatic line (CL), fuel filler flap frame floor
- 8 Pneumatic line, tailgate frame floor
- 9 Pneumatic actuator, fuel filler flap
- 10 Driver-side door lock
- 11 Pneumatic actuator, driver-side door
- 12 Passenger-side door lock
- 13 Pneumatic actuator, passenger-side door
- 14 Left rear door lock
- 15 Pneumatic actuator, left rear door
- 16 Right rear door lock
- 17 Pneumatic actuator, right rear door
- 18 Actuation actuator, tailgate
- 19 Pneumatic actuator, tailgate
- 20 Control module connector



P80.20-0498-09