

Electrical Test Program – Component Locations (MVA)

Model 210 sedan shown

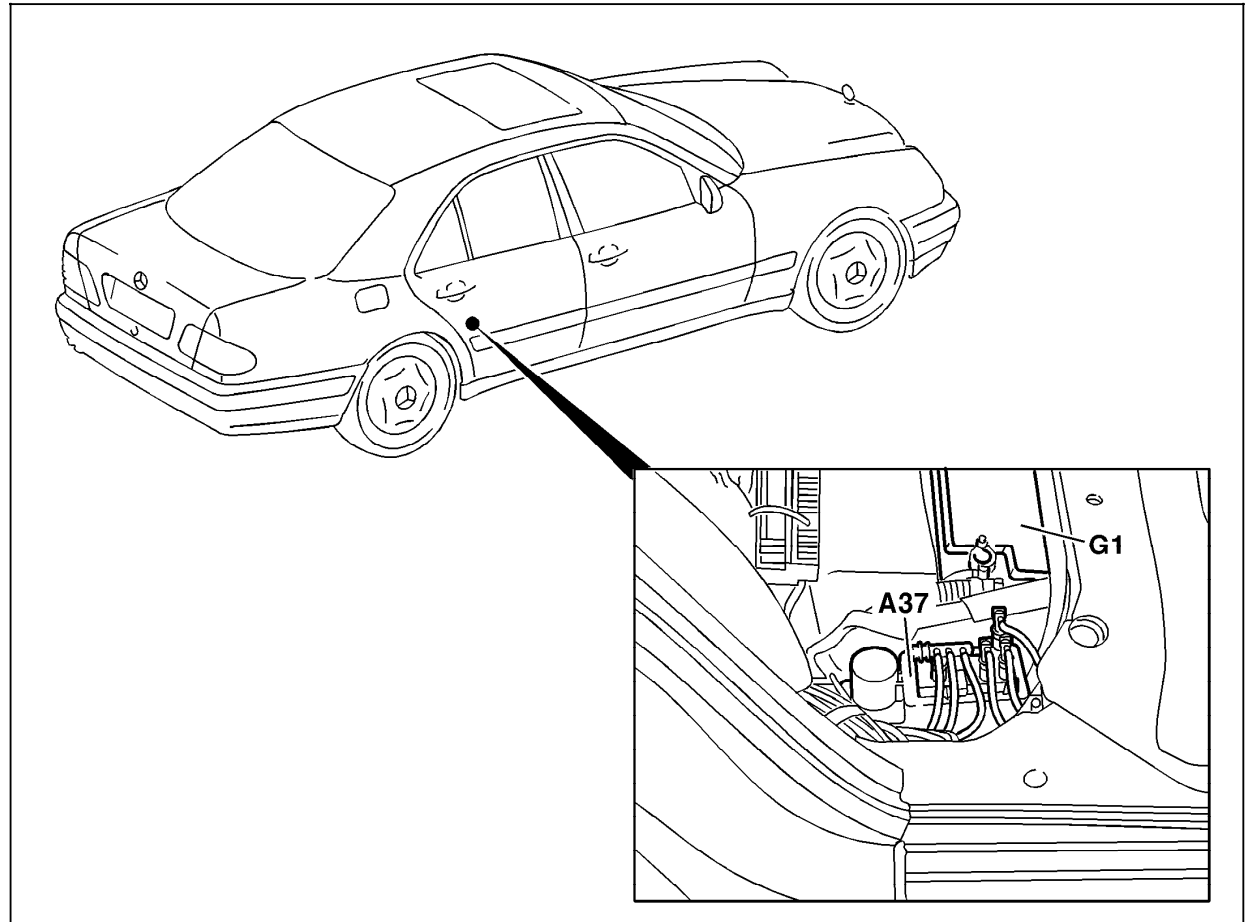


Figure 1

- A37 PSE control module, combined functions
- G1 Battery

P80.20-0370-06