

Pneumatic Test Program – Component Locations (MVA)

Gasoline Vehicle Component Locations
(Model 210 sedan shown)

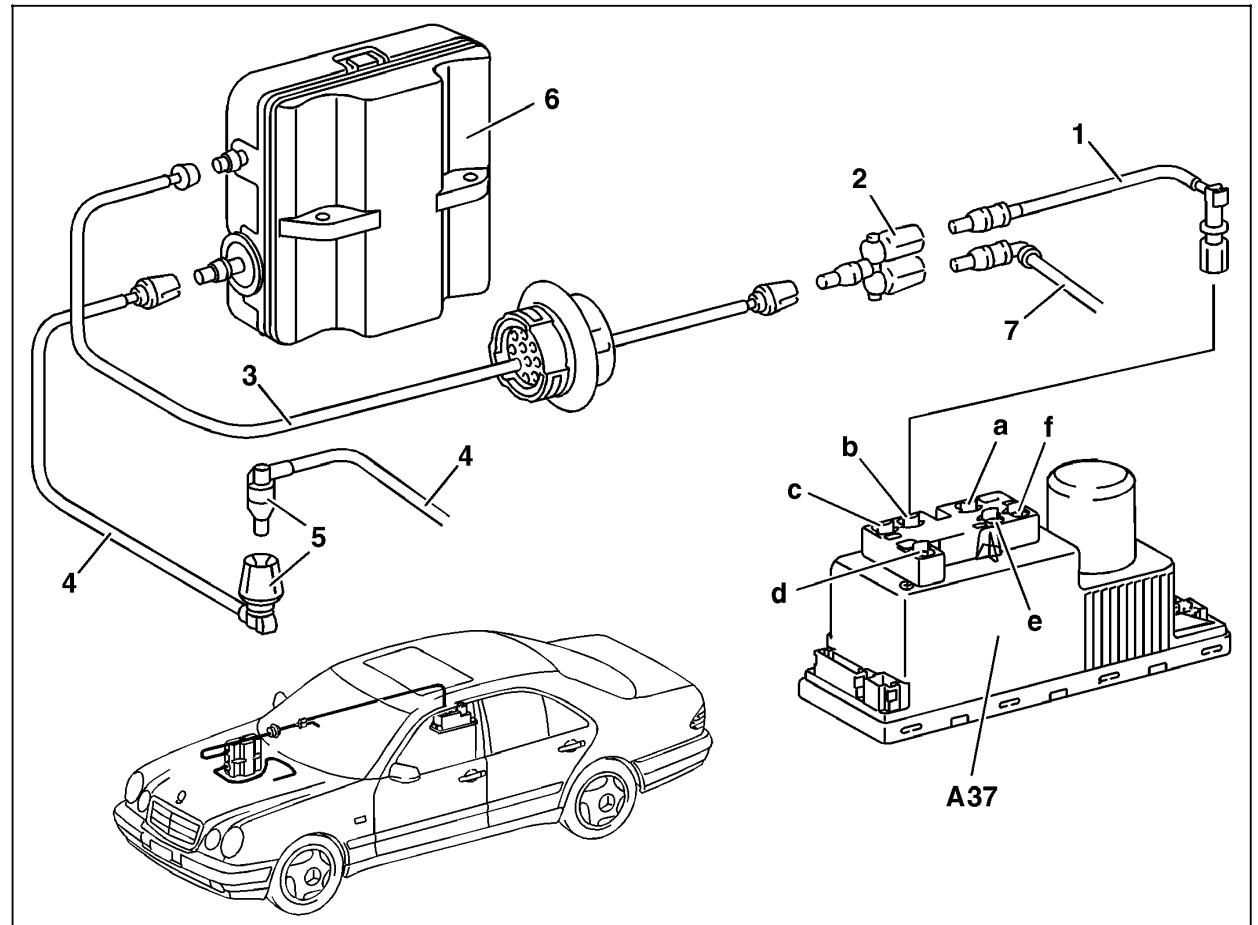


Figure 1

- A37 PSE control module, combined functions
- a Pneumatic connection, passenger/rear doors
- b Pneumatic connection, driver-side door
- c Pneumatic connection, fuel tank filler flap
- d Pneumatic connection, RTR/RHR
- e Pneumatic connection, OSB
- f Pneumatic connection, MVA
- 1 Pneumatic line, MVA, frame floor
- 2 2-way distributor
- 3 Pneumatic line, MVA, engine compartment
- 4 Pneumatic line, MVA, connection line to engine
- 5 Pneumatic line separation, engine compartment
- 6 Vacuum reservoir
- 7 Pneumatic line, Automatic A/C

P80.20-0381-06

Pneumatic Test Program – Component Locations (MVA)

Diesel Vehicle Component Locations (Model 210 sedan shown)

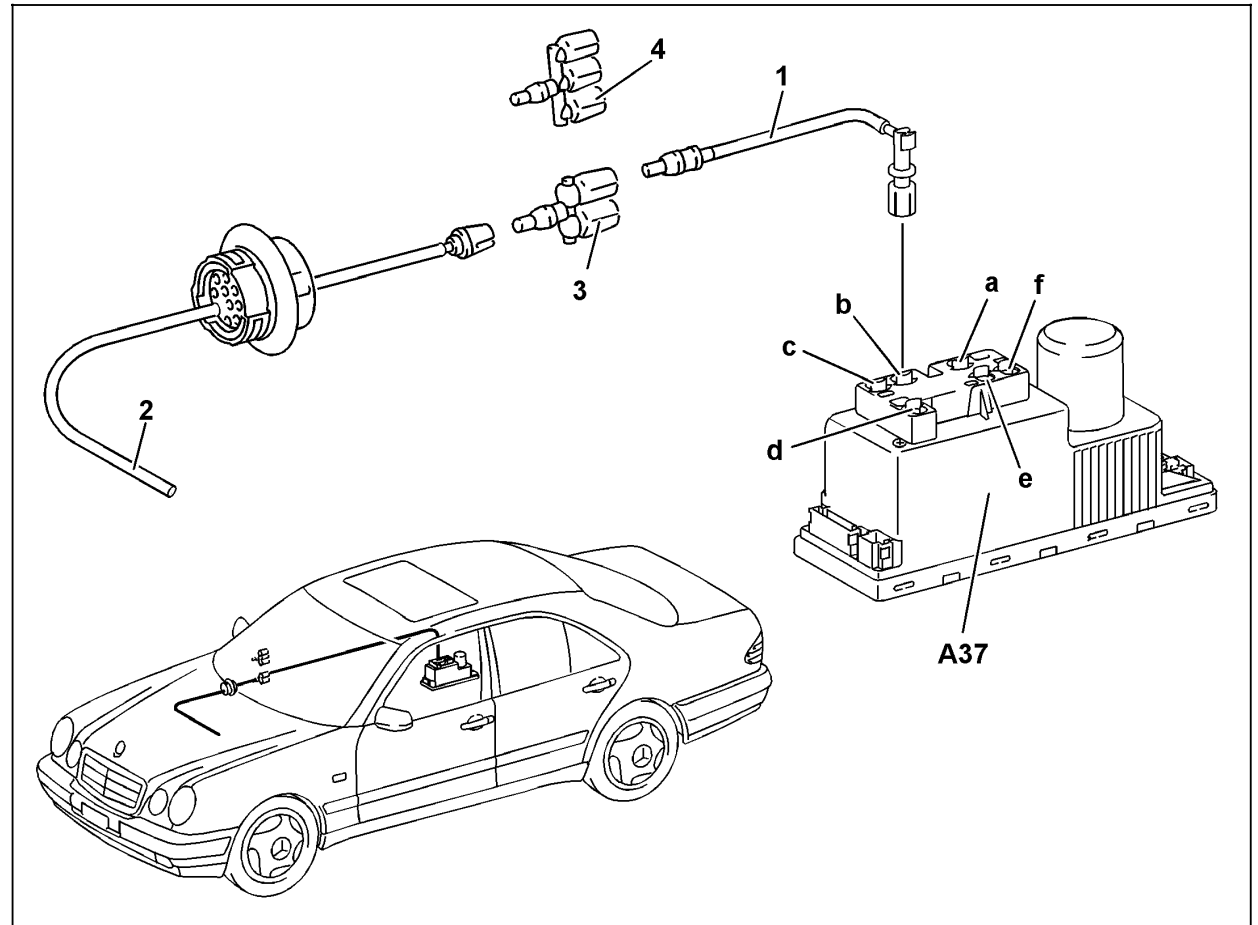


Figure 2

- A37 PSE control module, combined functions
- a Pneumatic connection, passenger/rear doors
- b Pneumatic connection, driver-side door
- c Pneumatic connection, fuel tank filler flap
- d Pneumatic connection, RTR/RHR
- e Pneumatic connection, OSB
- f Pneumatic connection, MVA
- 1 Pneumatic line, MVA, frame floor
- 2 Pneumatic line, MVA, engine compartment
- 3 2-way distributor
- 4 3-way distributor

P80.20-0372-06