

Pneumatic Test Program – Component Locations (OSB)

Model 210 shown

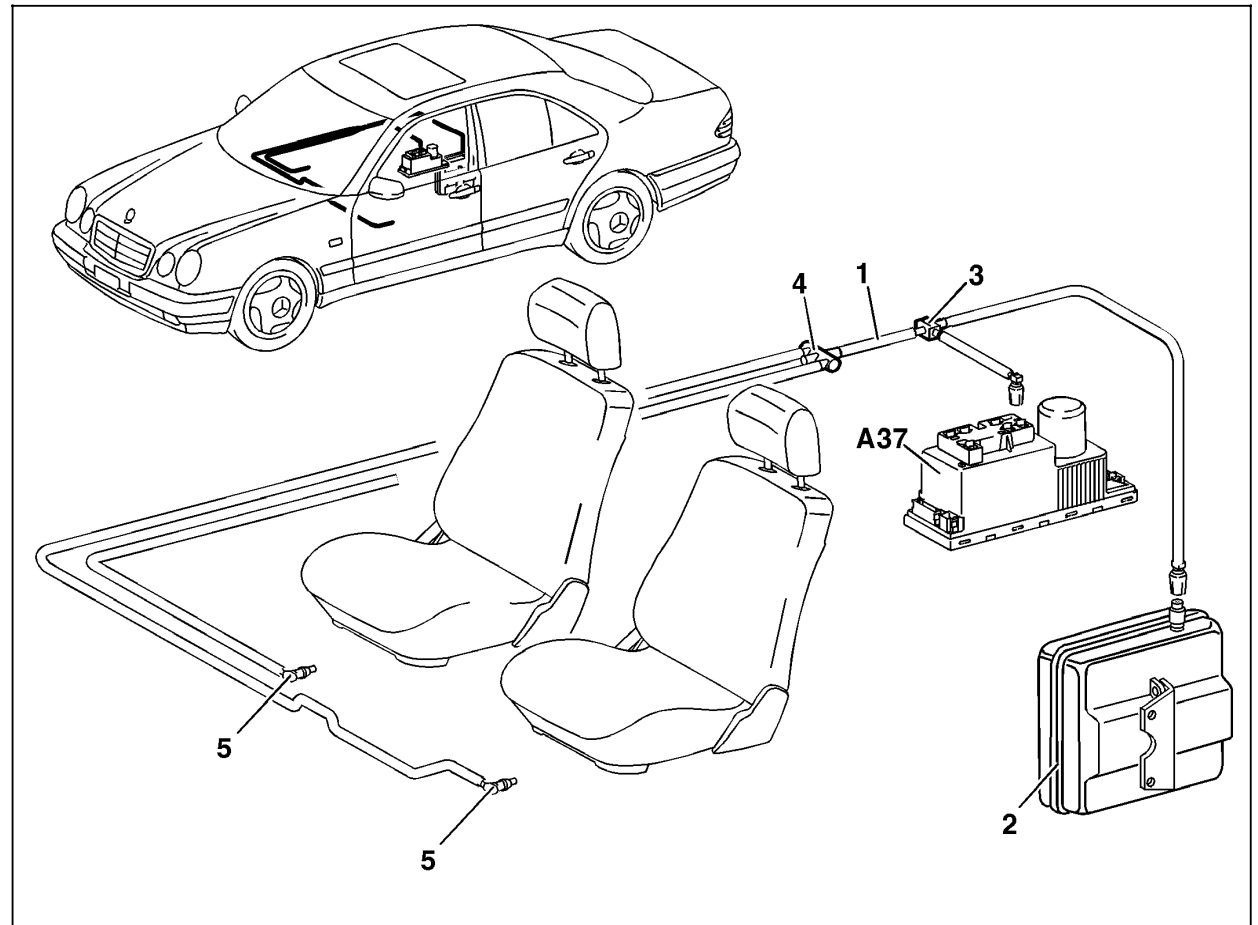


Figure 1

- A37 PSE control module, combined functions
- 1 Pneumatic connection, OSB
- 2 Vacuum reservoir
- 3 Pneumatic line, T-connector, OSB
- 4 Pneumatic line, distributor (both front seats only)
- 5 Multi-contour seat connector

P80.20-0380-06