

Electrical Test Program – Component Locations (RTR)

Models 202, 208
(Model 202 shown)
(for balance of components see Figure 2)

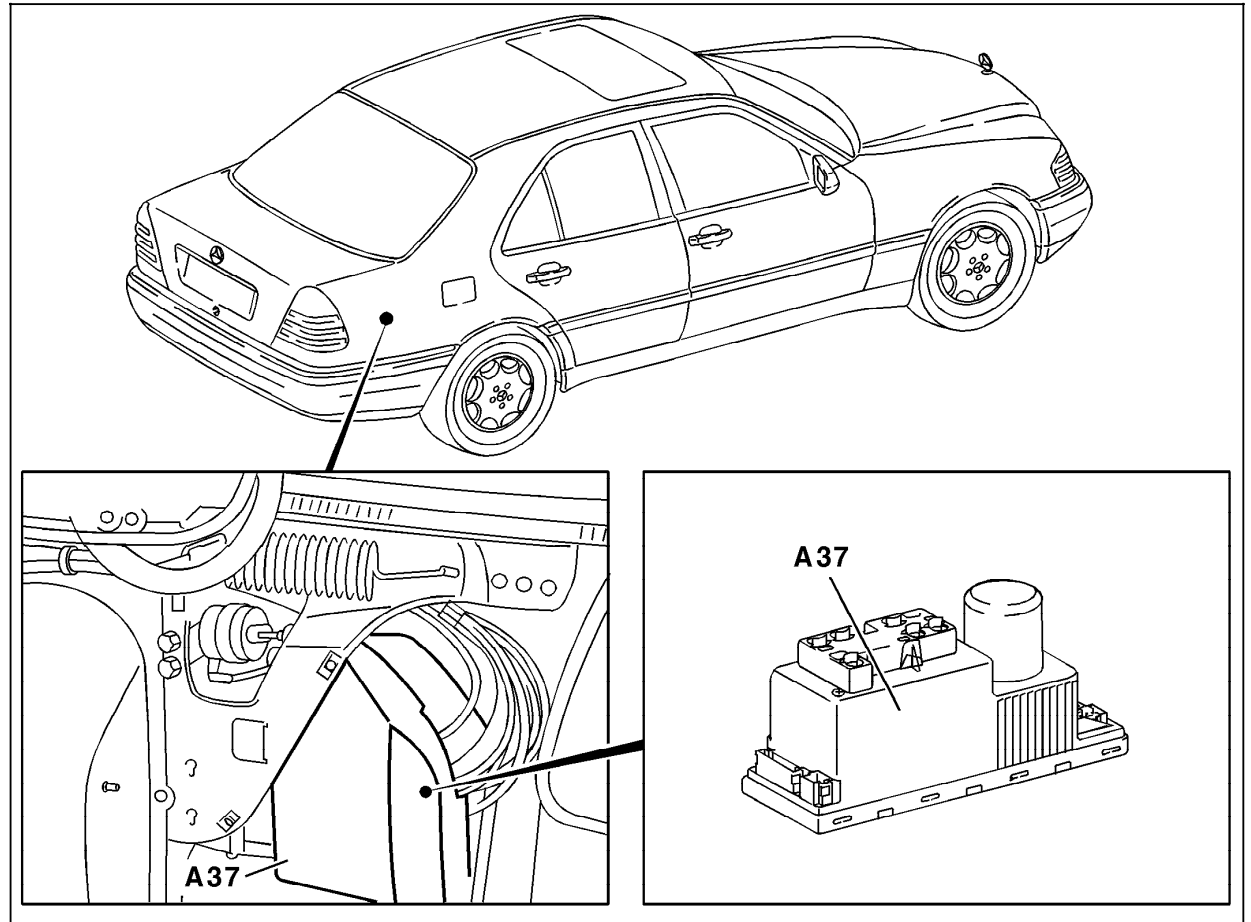


Figure 1

A37 PSE control module, combined functions

P80.20-0365-06

Electrical Test Program – Component Locations (RTR)

Model 210
(Model 210 sedan shown)

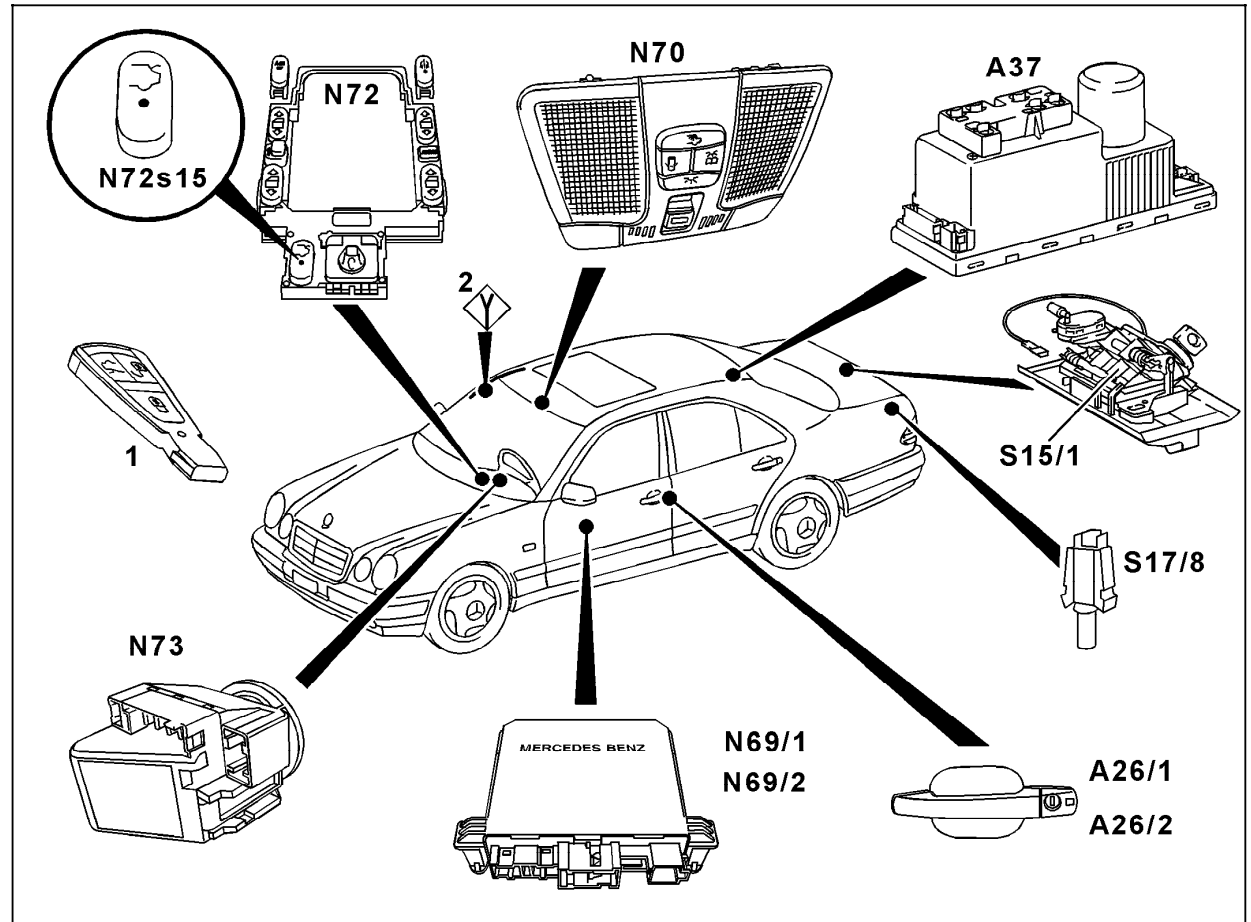


Figure 2

- A26/1 Left front door IR receiver
- A26/2 Right front door IR receiver
- A37 PSE control module, combined functions
- N69/1 Front driver-side door control module
- N69/2 Front passenger-side door control module
- N70 Roof control panel control module
- N72 Lower control field control module
- N72s15 RTR switch
- N73 Electronic ignition lock control module
- S15/1 Trunk release switch
- S17/8 Trunk lamp switch
- 1 Transmitter key
- 2 Antenna

P80.20-0367-06