

Pneumatic Test Program – Component Locations (RTR)

Model 210
(Model 210 sedan shown)

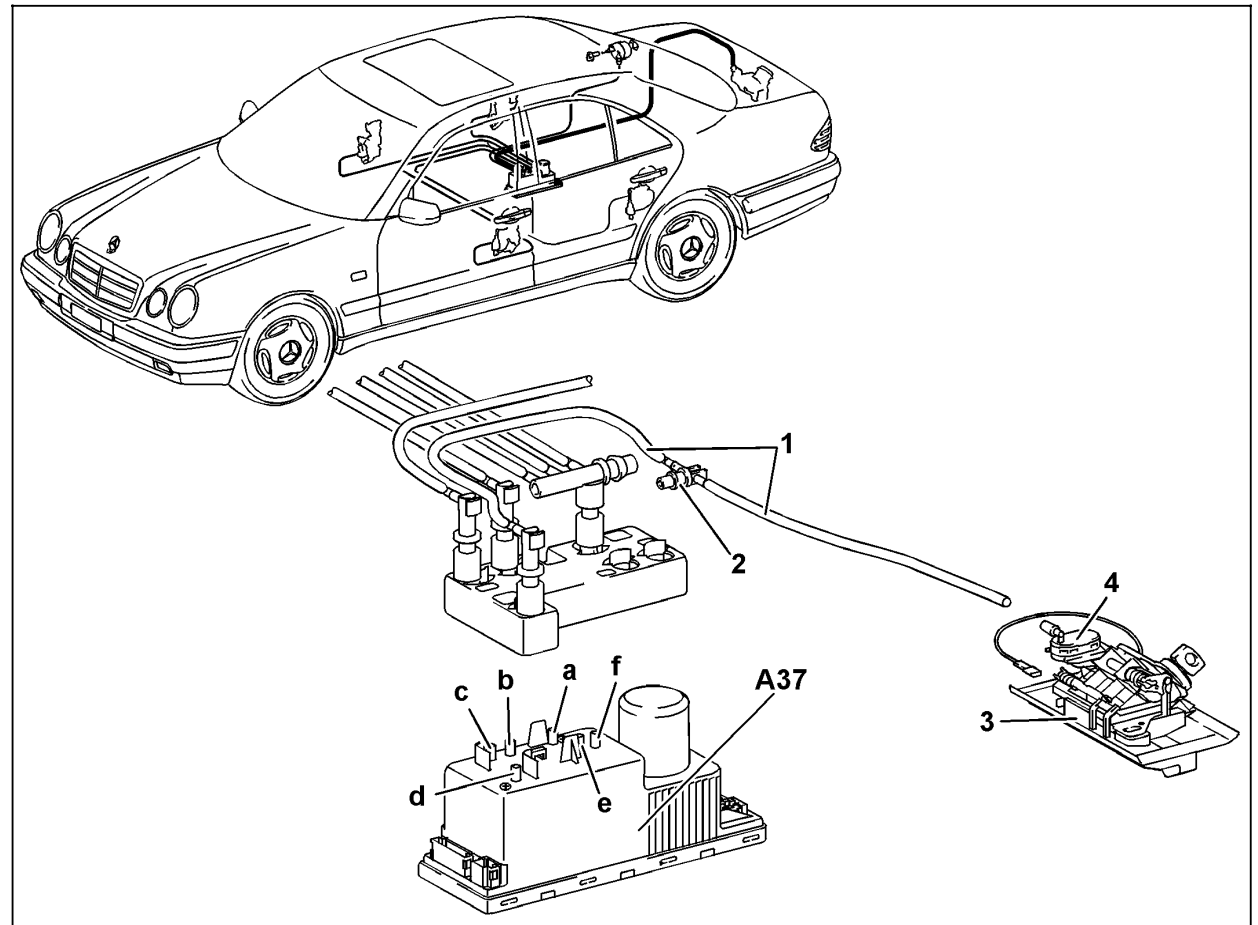


Figure 1

- A37 PSE control module, combined functions
- a Pneumatic connection, passenger/rear doors
- b Pneumatic connection, driver-side door
- c Pneumatic connection, fuel tank filler flap
- d Pneumatic connection, RTR/RHR
- e Pneumatic connection, OSB
- f Pneumatic connection, MVA
- 1 Pneumatic line, remote trunk lid release
- 2 T-connector (RTR/RHR)
- 3 Trunk lid lock
- 4 Pneumatic actuator, trunk lid release

P80.20-0375-06