

**Pneumatic Test Program – Test (RTR)**

Preliminary work:

PSE control module voltage supply .....	23 PSE ⇒ 1.0, 2.0
PSE Control Module Test .....	32 PSE

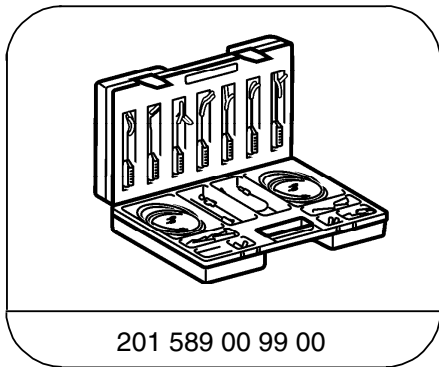
**Preparation for Test:**

1. Review section 0,
2. Review C/1, 20, 21, 31, 32.

**Data (mbar)**

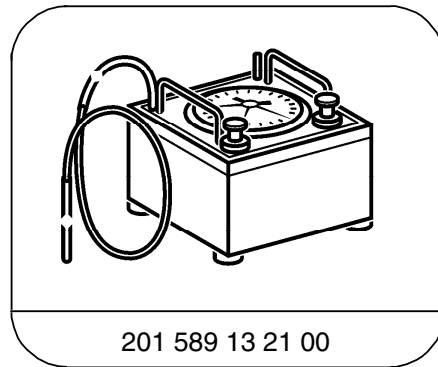
Test procedure	Permissible deviation
Allowable system leakage of 300 mbar vacuum in 1 minute.	30 mbar
Allowable leakage of actuators with line at 300 mbar vacuum in 1 minute.	25 mbar

**Special Tools**



201 589 00 99 00

Electrical connecting set



201 589 13 21 00

Tester

Pneumatic Test Program – Test (RHR)

A. Entire System

Preparation for Test:

1. Disconnect **yellow** central locking (CL) pneumatic line from PSE control module.
2. Connect tester to disconnected pneumatic line using connector 202 805 03 44.

Parts Required for Test:

- |   |                          |               |
|---|--------------------------|---------------|
| 1 | Connector                | 202 805 03 44 |
| 2 | Rubber hose, 50 mm long  | 007 997 61 82 |
| 1 | Pneumatic line, 1 m long | 000 158 14 35 |



If an actuator does not operate correctly and no leakage is found, check the respective lines for kinks or blockages.

Note:

The connections on the PSE control module and pneumatic multiple connector are marked with their German acronyms. In other words:  
**ZV** (German) = **CL** (English),  
**SRU** (German) = **MVA** (English),  
**OSL** (German) = **OSB** (English).

⇒	Test scope	Test connection	Test condition	Nominal value	Possible cause/Remedy
1.0	<b>Complete system pressurized</b>	<b>Yellow</b> connector on tester to connector	Apply 600 mbar pressure to entire system.	Pressure loss 30 mbar in 1 minute.	32 PSE/RTR ⇒ 2.0, 32 PSE/RTR ⇒ 3.0, See AD80.20-P-8003-01A.

Pneumatic Test Program – Test (RTR)

B. Pneumatic line with RTR actuator

Preparation for Test:

1. Disconnect pneumatic line connected to connector **F** of pneumatic distributor.
2. Connect tester to disconnected pneumatic line using rubber hose, part no. 007 997 61 82.



After testing, reconnect prior disconnected pneumatic line using rubber hose part no. 007 997 61 82 to pneumatic distributor.

Parts Required for Test:

1 Rubber hose, 50 mm long 007 997 61 82

Parts Required for Repair

Rubber hose (as necessary) 007 997 61 82

⇒	Test scope	Test connection	Test condition	Nominal value	Possible cause/Remedy
2.0	<b>Actuator, RTR pressurized</b>	<b>Yellow</b> connector on tester.	Apply 600 mbar pressure to RTR actuator with pneumatic line.	Pressure loss 25 mbar in 1 minute.	Actuator leaks, Replace.

**Pneumatic Test Program – Test (RTR)**

**C. Pneumatic line**

**Preparation for Test:**

1. Remove trunk lid lock.
2. Connect tester to pneumatic connector.

**Parts Required for Test:**

- |   |                         |               |
|---|-------------------------|---------------|
| 1 | Pneumatic line, 1m long | 000 158 14 35 |
| 2 | Connector, 50 mm long   | 007 997 61 82 |

⇒	Test scope	Test connection	Test condition	Nominal value	Possible cause/Remedy
3.0	<b>Vacuum leak test</b>	<b>Black</b> connector on tester.	Apply 300 mbar vacuum to pneumatic line.	Vacuum loss 0 mbar in 1 minute.	Pneumatic line leaks, Replace/repair.