

Electrical Test Program – Component Locations (PSE)

Models 202, 208  
(as shown on model 202)  
(for balance of components see: Figure 2)

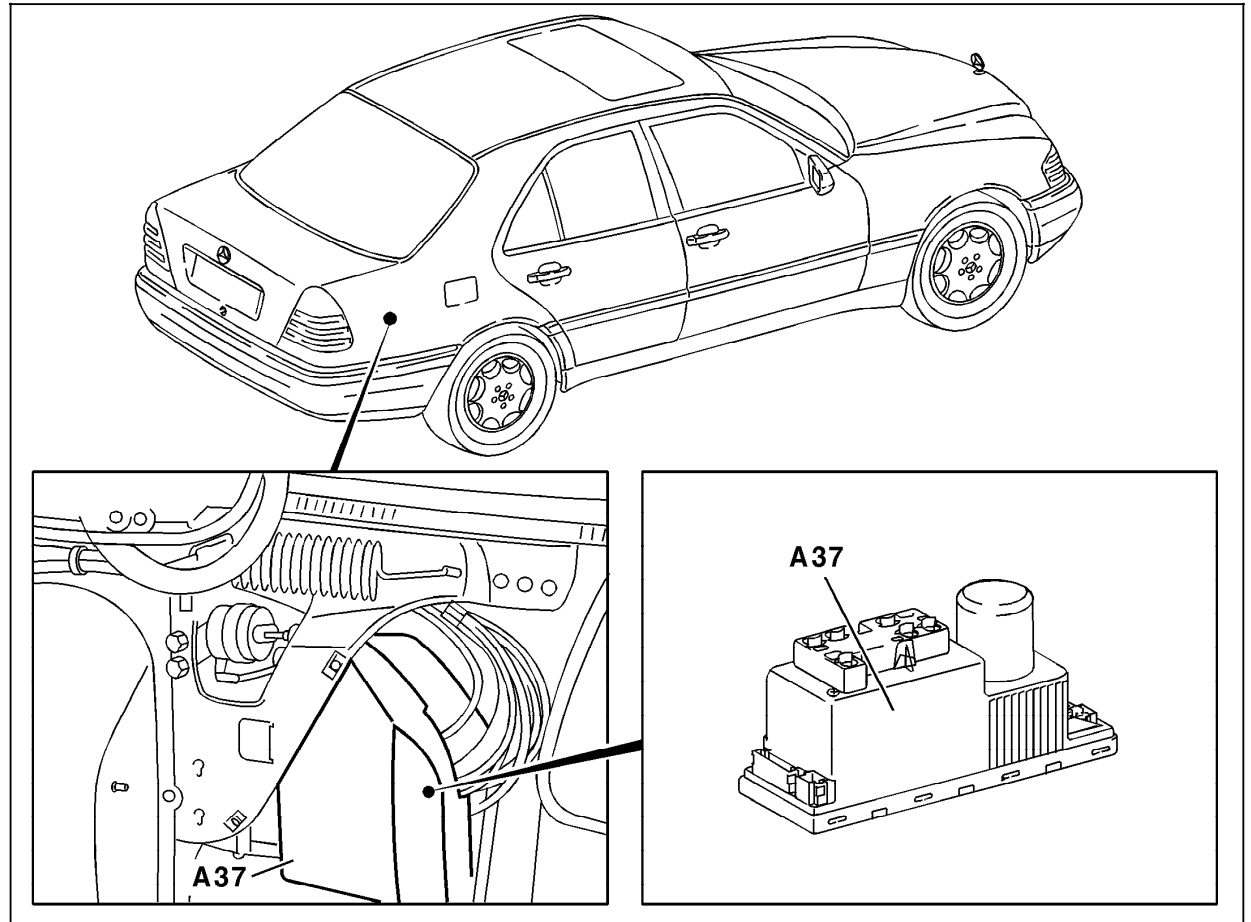


Figure 1

A37 PSE control module, combined functions

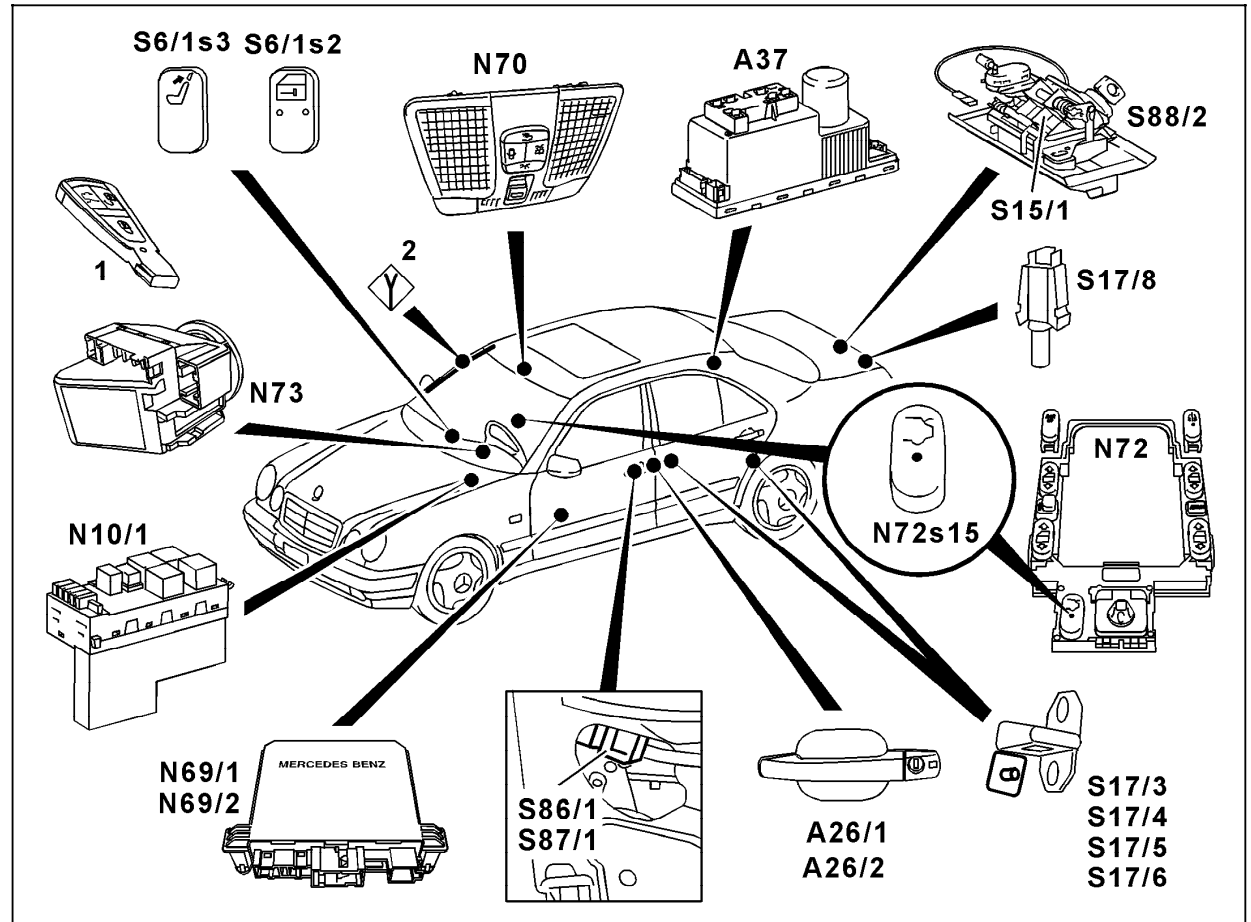
P80.20-0365-06

#### Electrical Test Program – Component Locations (PSE)

Balance of components shown on Model 210 sedan

Figure 2

- A26/1 Left front door IR receiver
- A26/2 Right front door IR receiver
- A37 PSE control module, combined functions
- N10/1 Signal pick-up and activation module (SAM) left front
- N69/1 Front driver-side door control module
- N69/2 Front passenger-side door control module
- N70 Roof control panel control module
- N72s15 RTR switch
- N73 Electronic ignition lock control module
- S6/1s2 Interior switch (CL)
- S6/1s3 RHR unlocking switch
- S15/1 Trunk release switch
- S17/3 Left front door switch
- S17/4 Right front door switch
- S17/5 Left rear door switch
- S17/6 Right rear door switch
- S17/8 Trunk lamp switch
- S86/1 Left front door lock switch (CF) (only USA J)
- S87/1 Right front door lock switch (CF) (only USA J)
- S88/2 Trunk lid lock switch (CF) (only USA J)
- 1 Transmitter key
- 2 Antenna



P80.20-0374-06