

Electrical Test Program - Preparation for Test

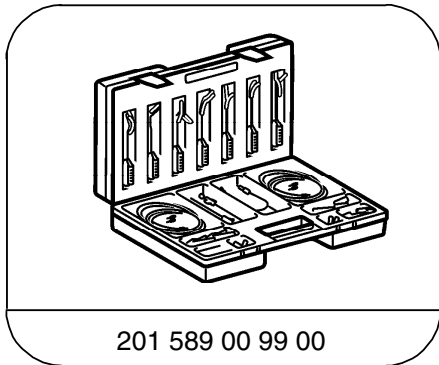
Preparation for Test:

1. Voltage supply to all control modules and CAN data lines ok,
2. Battery voltage 11 – 14 V,
3. Review section 0,
4. Review C/1, C/2, 11, 12, 20, 21, 22, 31, 32,
5. Connect HHT, see section 0,
6. For model 202 and 208, review PE80.00-P-1100D and for model 210 review PE80.00-P-1100A, prior to starting test.

Electrical Wiring Diagrams:

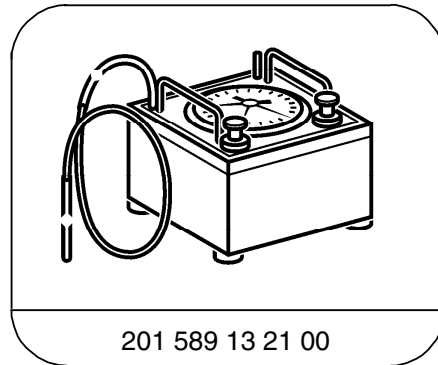
See Electric Troubleshooting Manual, Model 202/208, group 80,
Model 210, Volume 2, group 80

Special Tools



201 589 00 99 00

Electrical connecting set



201 589 13 21 00

Tester

Test equipment; See MBUSA Standard Service Equipment Program

Description	Brand, model, etc.
Digital multimeter	Fluke models 23, 77 III, 83, 85, 87

Electrical Test Program - Preparation for Test

Connection Diagram - Socket Box
Model 210
 (sedan shown)

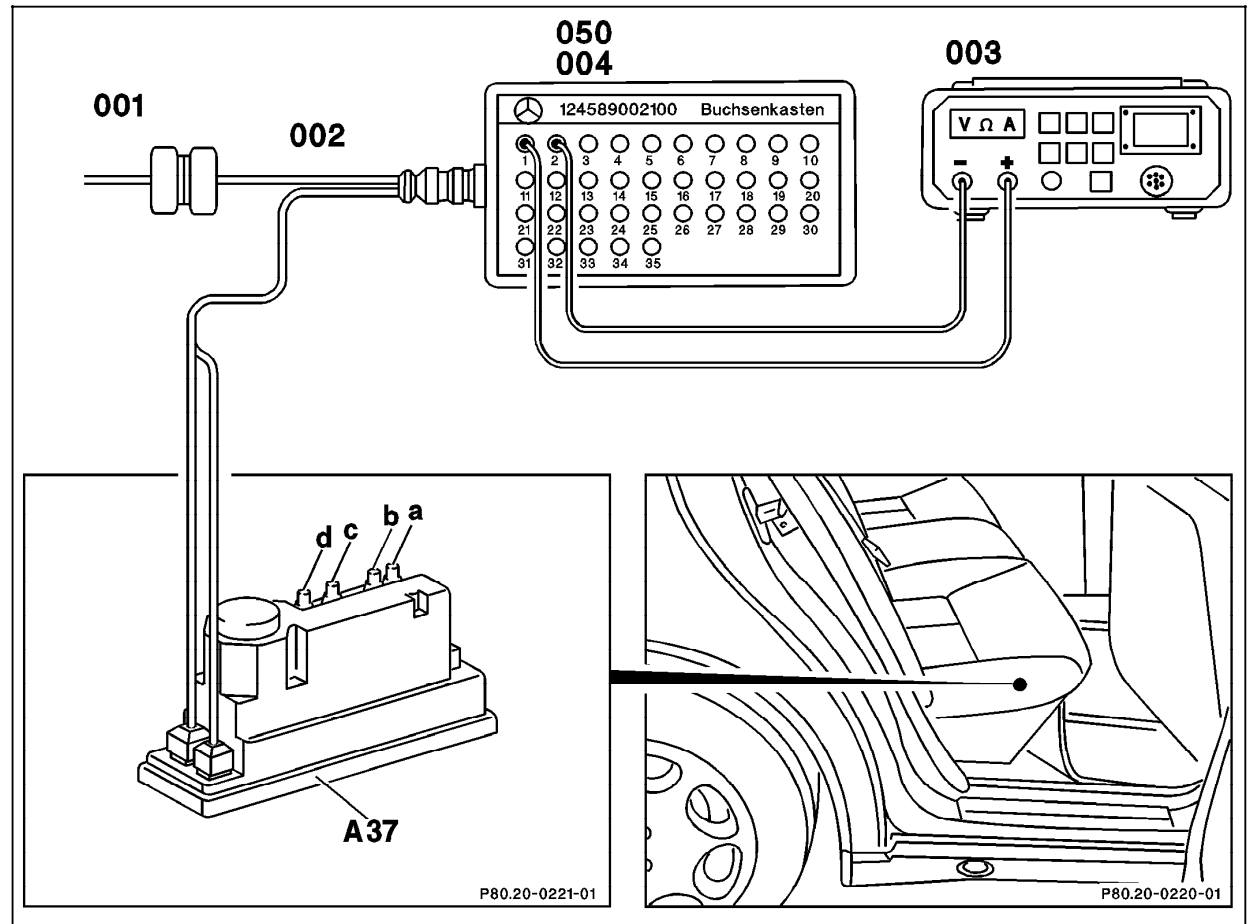


Figure 1

- A37 PSE control module, combined functions
- 001 PSE control module connector
- 002 Test cable
- 003 Multimeter
- 004/050 Socket box (35-pole)

P80.20-0213-06

Electrical Test Program - Preparation for Test

Connection Diagram - Socket Box

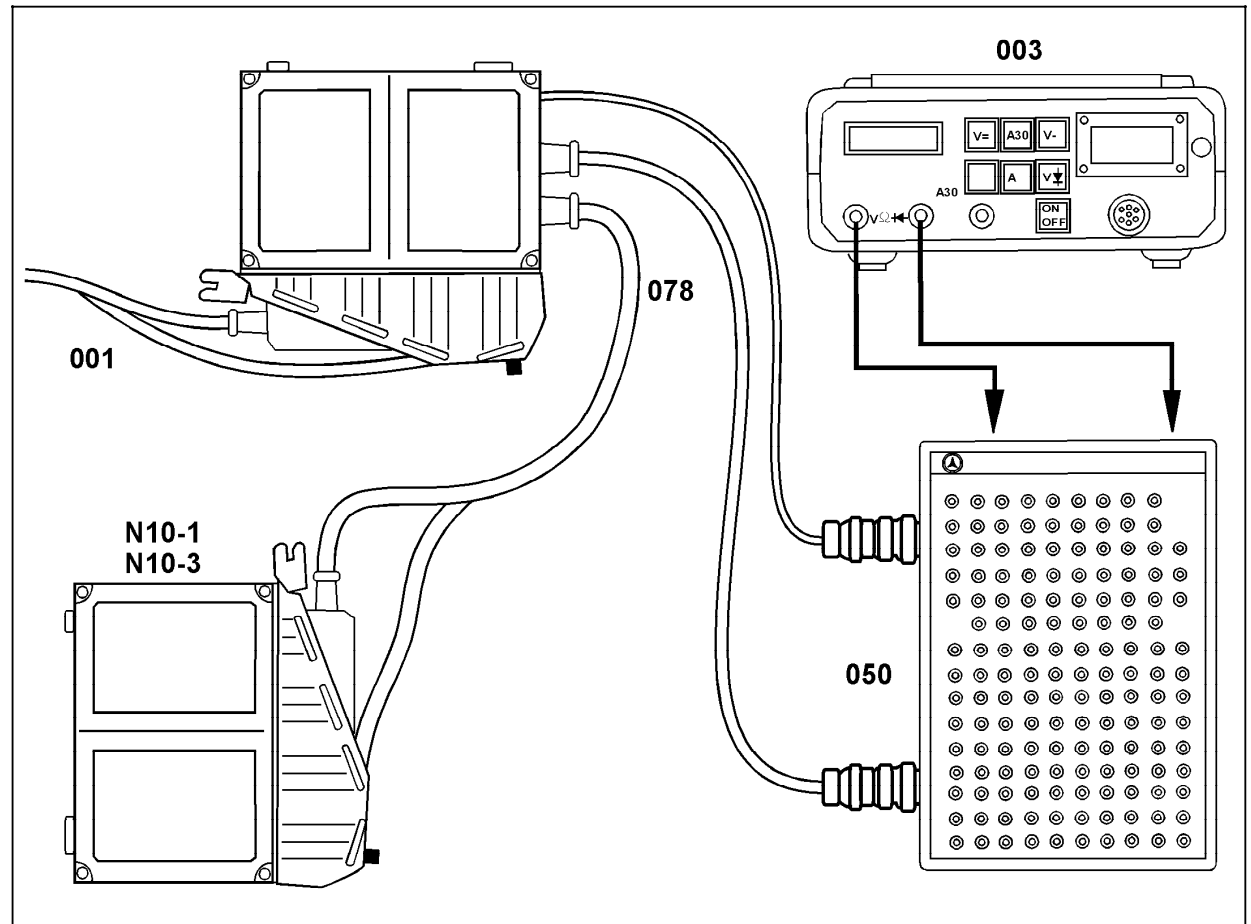


Figure 2

- N10-1 Combination control module (model 210)
- 001 PSE control module connector
- 002 Test cable
- 003 Multimeter
- 050 Socket box (35-pole)

P82.40-0214-06

Electrical Test Program - Preparation for Test

Connections - PSE control module (A37)

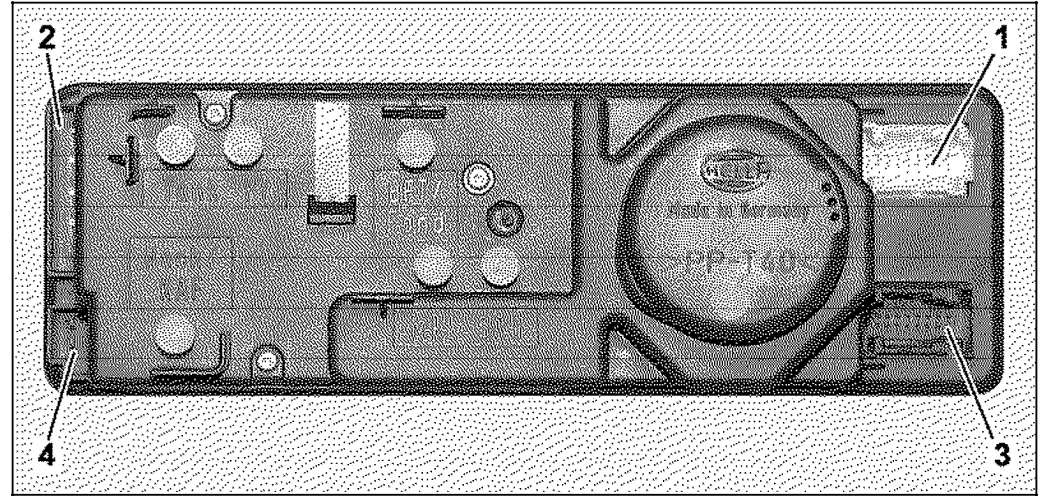


Figure 4

- 1 Connector 1 (control line PSE)
- 2 Connector 2 (voltage supply PSE)
- 3 Connector 3 (control line ATA)
- 4 Connector 4 (load connections ATA)

P80.20-2037-10