

Electrical Test Program – Component Locations

Model 202 as of M.Y. 1998
Model 208
(Model 202 shown)

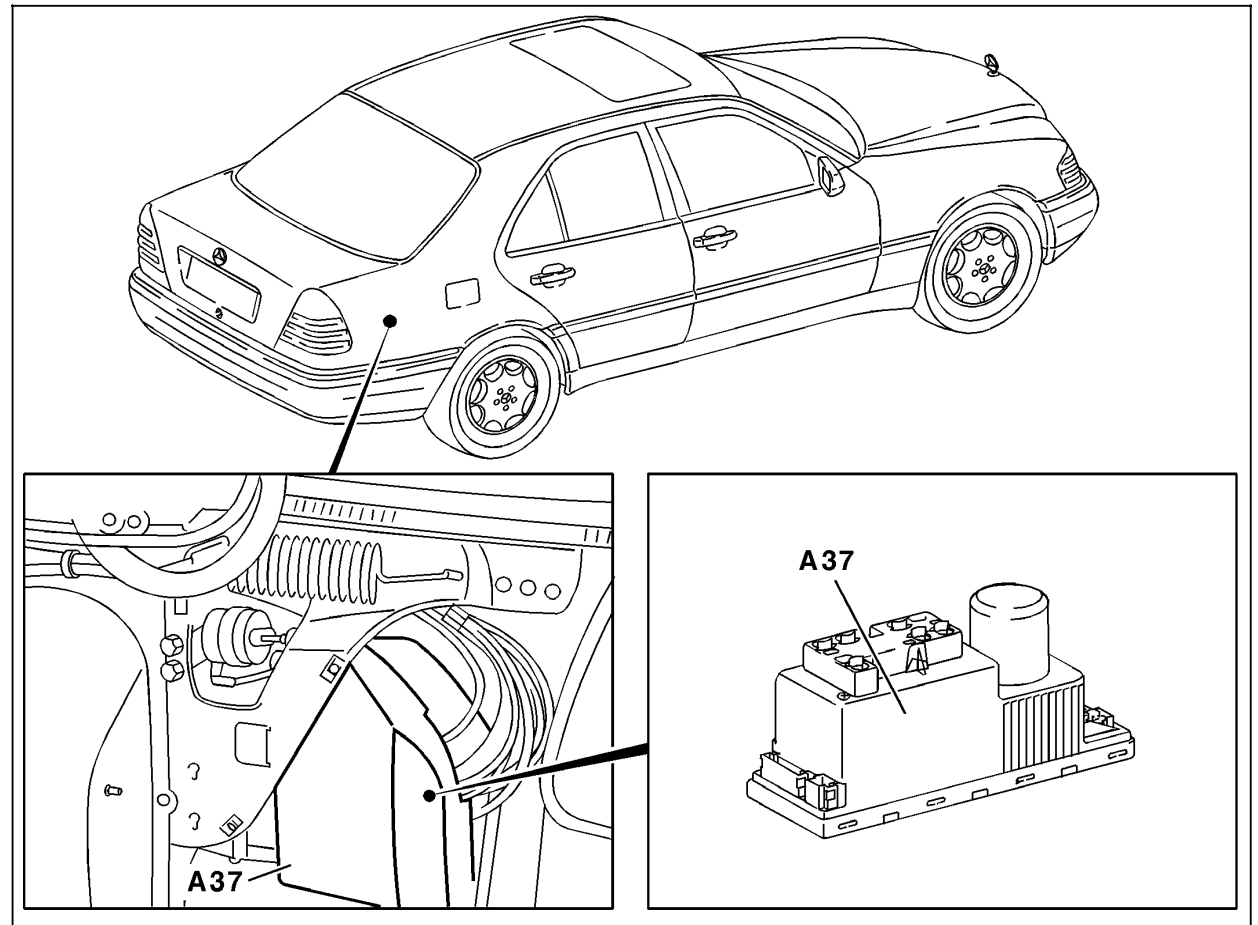


Figure 1

A37 PSE control module, combined functions

P80.20-0365-06

Electrical Test Program – Component Locations

Model 210
(sedan shown)

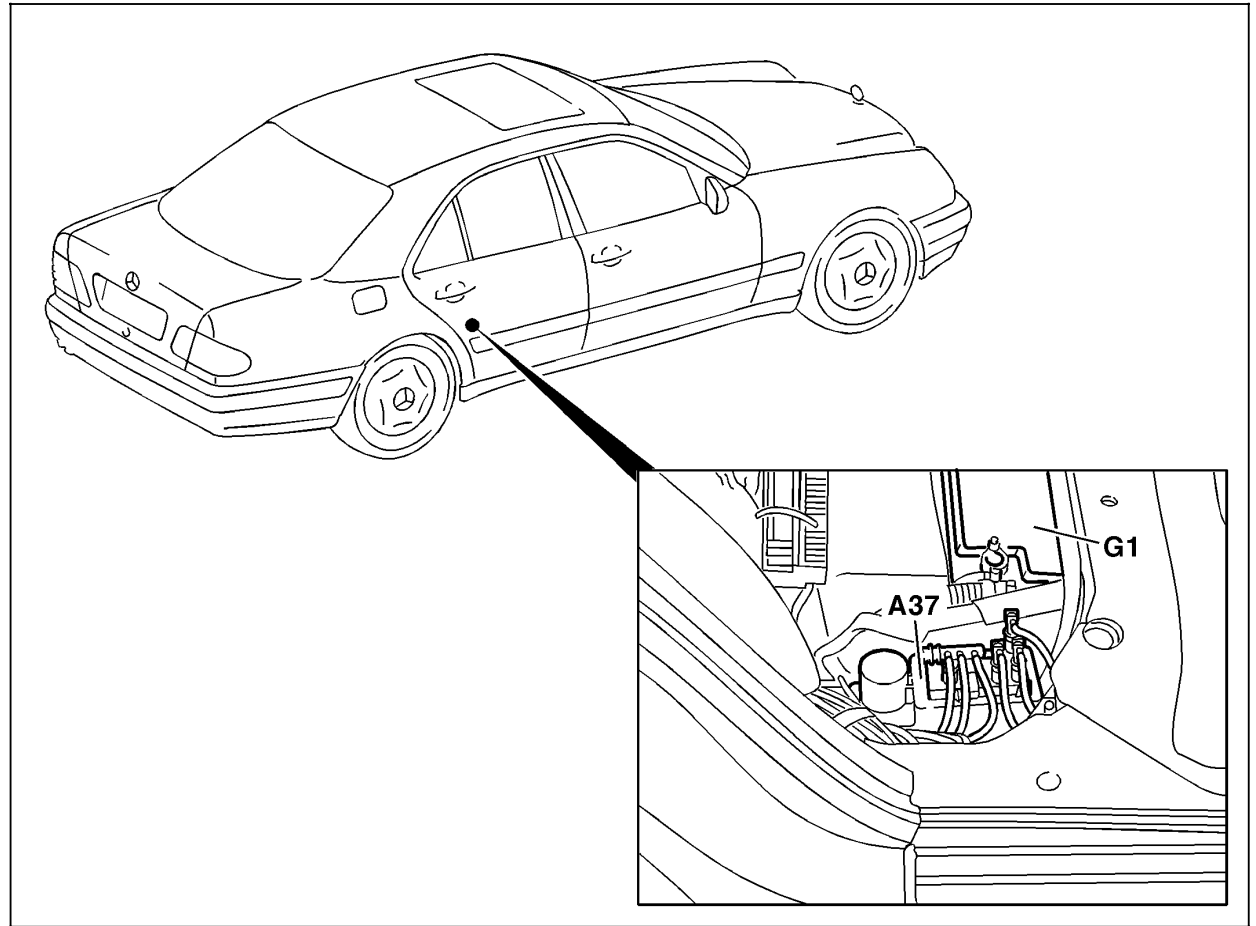


Figure 2

A37 PSE control module
G1 Battery

P80.20-0370-06