

Electrical Test Program – Location of Components (CL)

Model 129

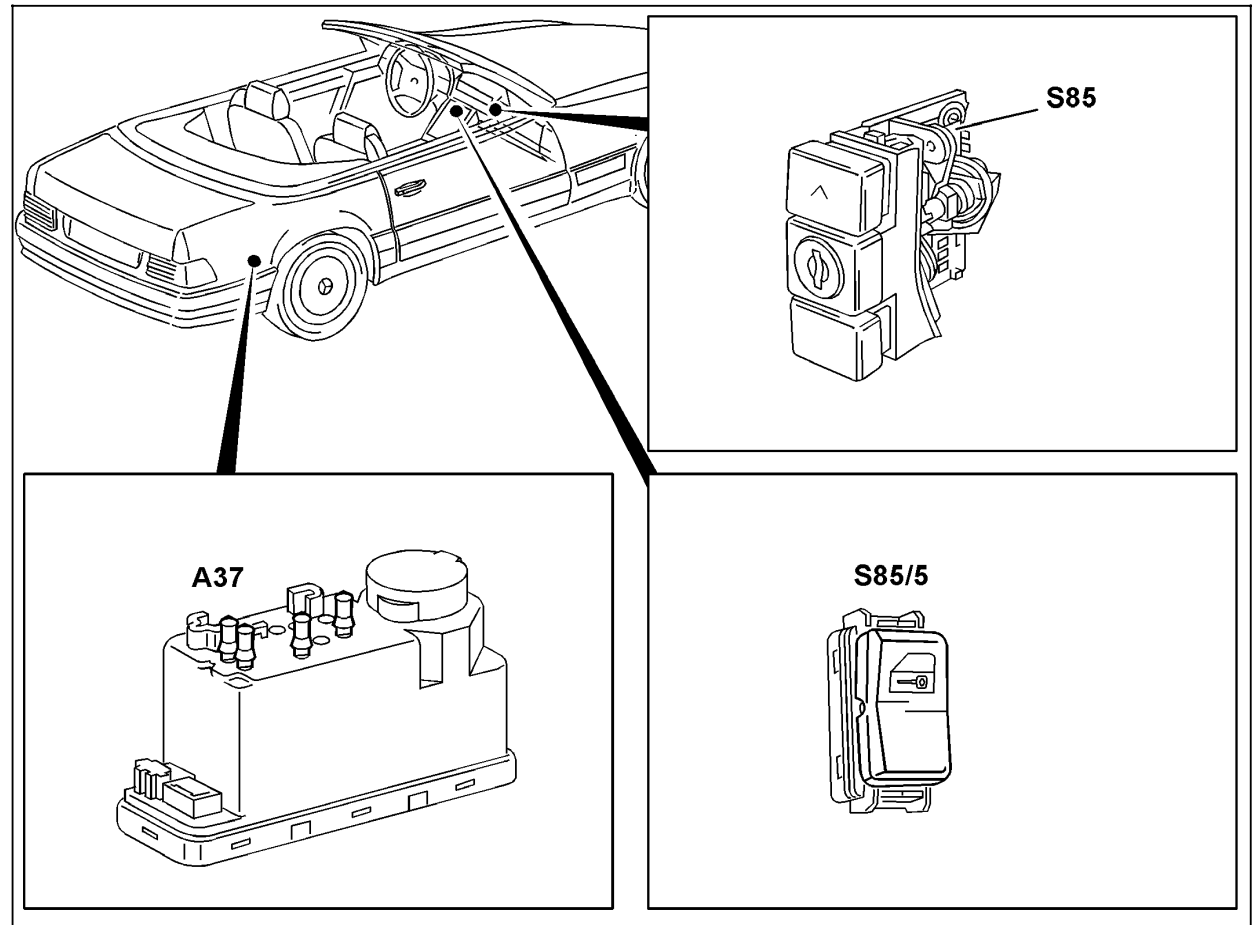


Figure 1

- A37 PSE control module, combined functions
- S85 CL interior control switch
- S85/5 CL interior control switch

P80.20-0436-06

#### Electrical Test Program – Location of Components (CL)

#### Model 129

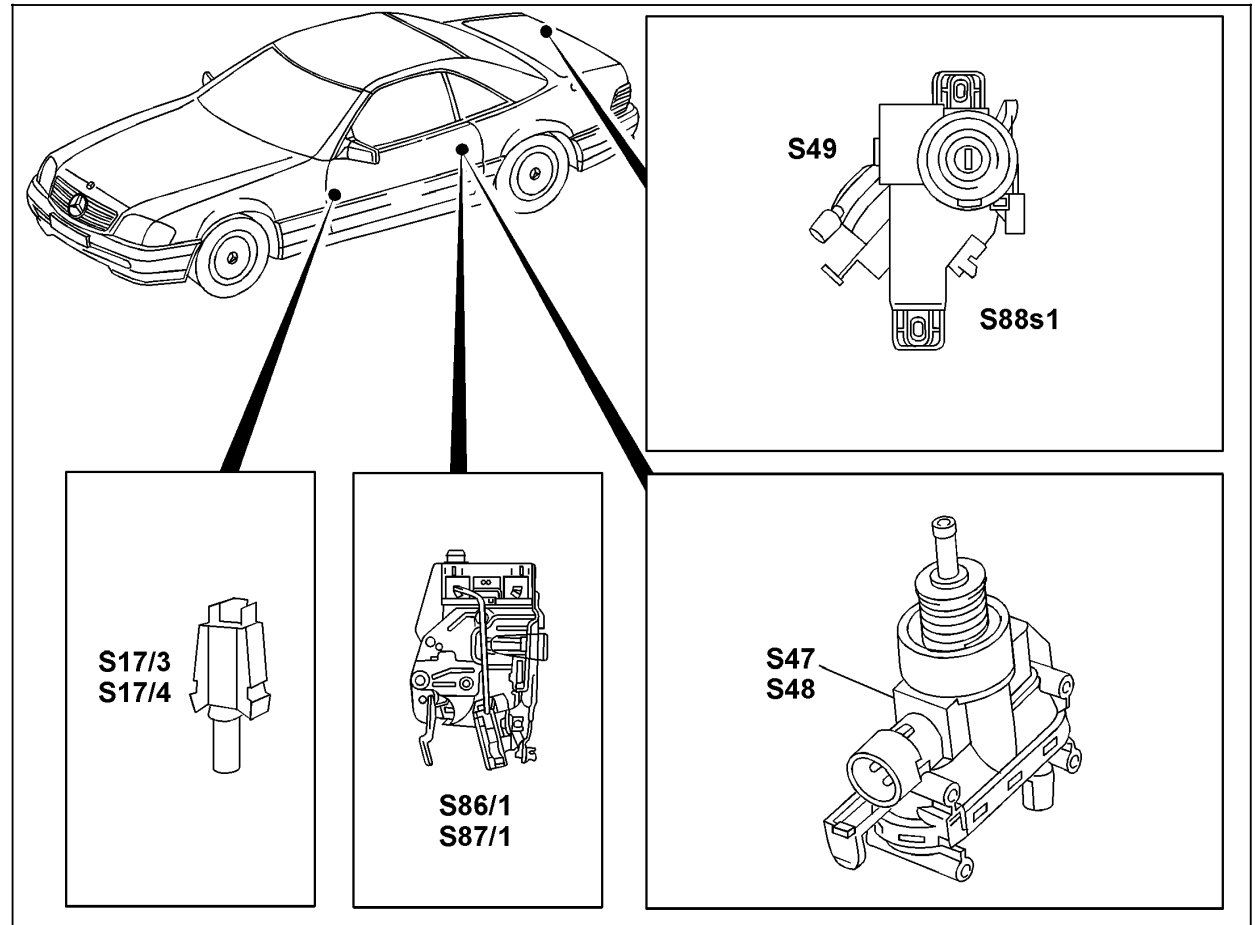


Figure 2

- S17/3 Left front door switch
- S17/4 Right front door switch
- S47 Left door actuator
- S48 Right front door actuator
- S49 Trunk lid lock actuator
- S86/1 Left front door lock switch (CF) (only USA J)
- S87/1 Right front door lock switch (CF) (only USA J)
- S88s1 ATA/CF microswitch (only USA J)

P80.20-0437-06

Electrical Test Program – Location of Components (CL)

Model 140  
(Sedan shown)

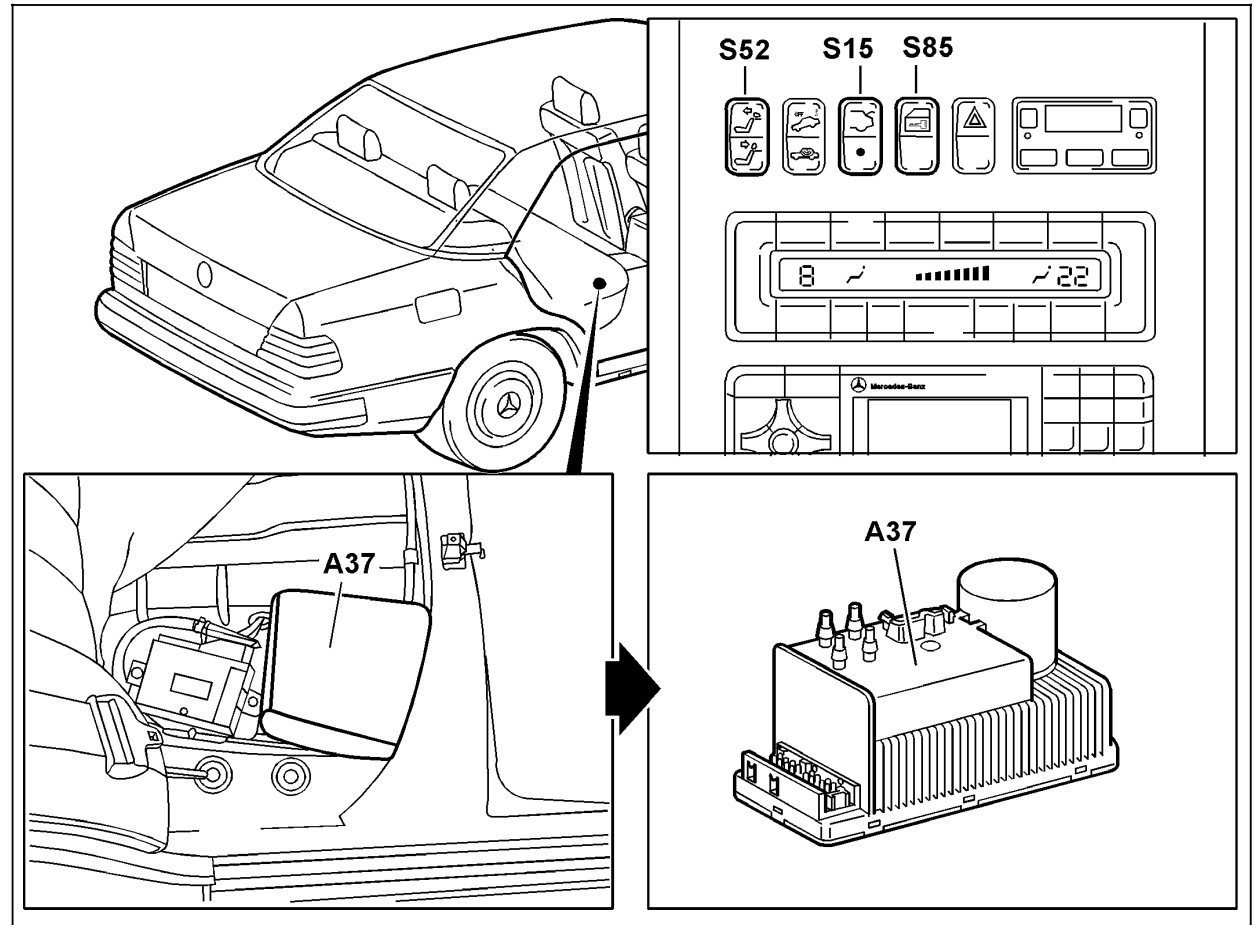


Figure 3

A37 PSE control module, combined functions  
S85 Interior CL switch

P80.20-0438-06

#### Electrical Test Program – Location of Components (CL)

Model 140  
(Sedan shown)

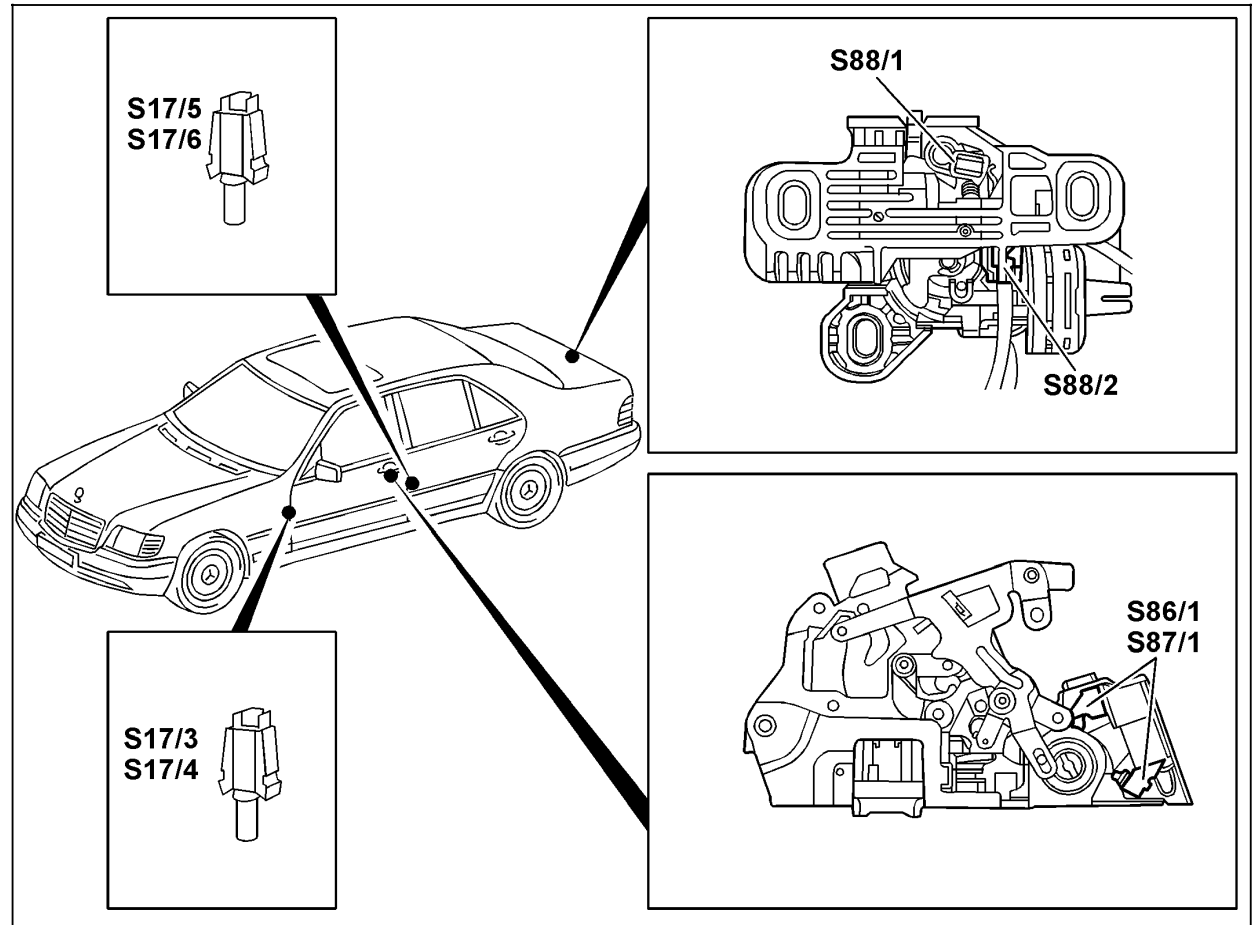


Figure 4

- S17/3 Left front door switch
- S17/4 Right front door switch
- S17/5 Left rear door switch
- S17/6 Right rear door switch
- S86/1 Left front door lock switch (CF) (only USA J)
- S87/1 Right front door lock switch (CF) (only USA J)
- S88/1 Rotary tumbler/trunk lid microswitch
- S88/2 Trunk lid lock switch (CF) (only USA J)

P80.20-0439-06

Electrical Test Program – Location of Components (CL)

Model 170

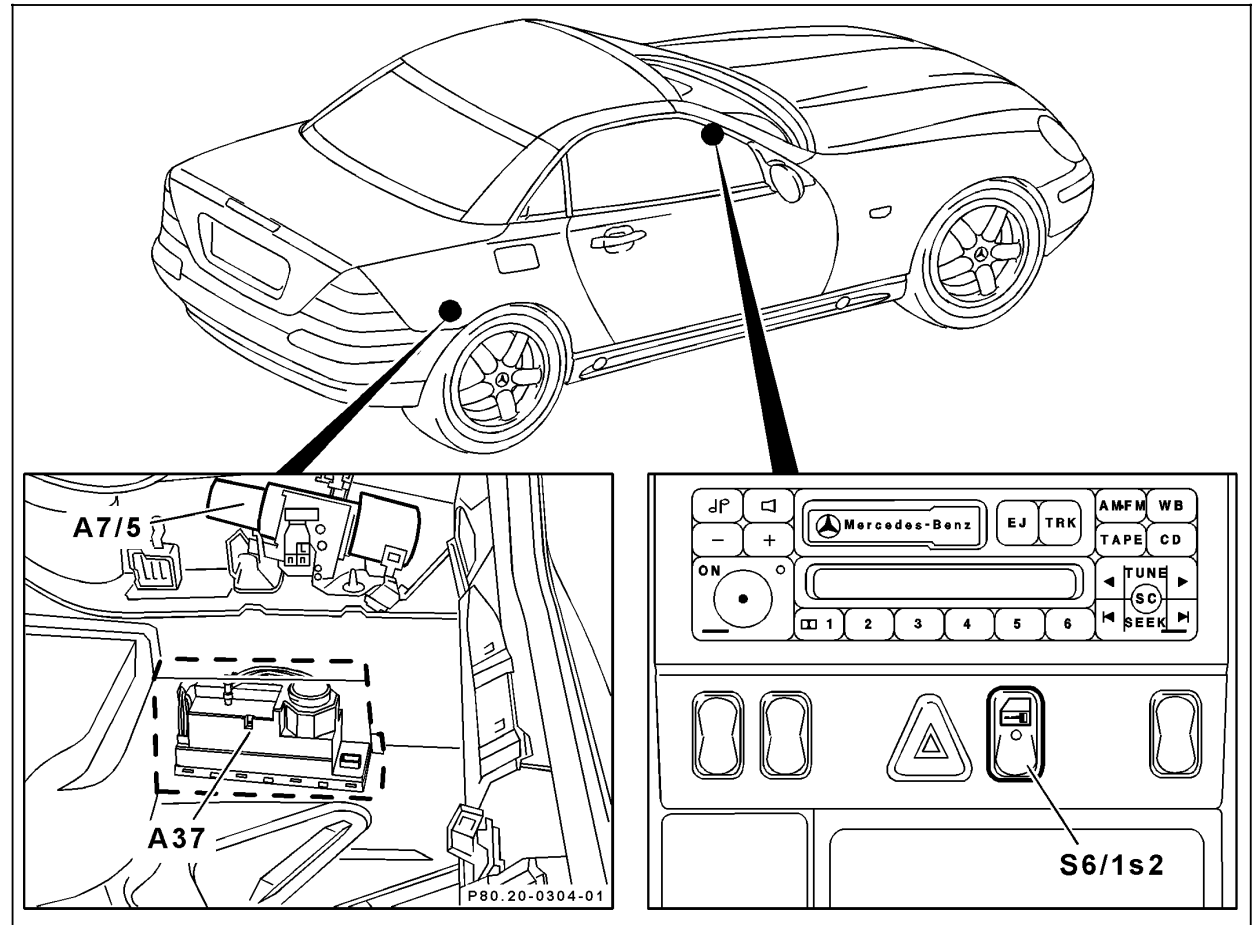


Figure 5

A37 PSE control module, combined functions  
S6/1s2 Interior switch (CL)

P80.20-0440-06

Electrical Test Program – Location of Components (CL)

Model 170

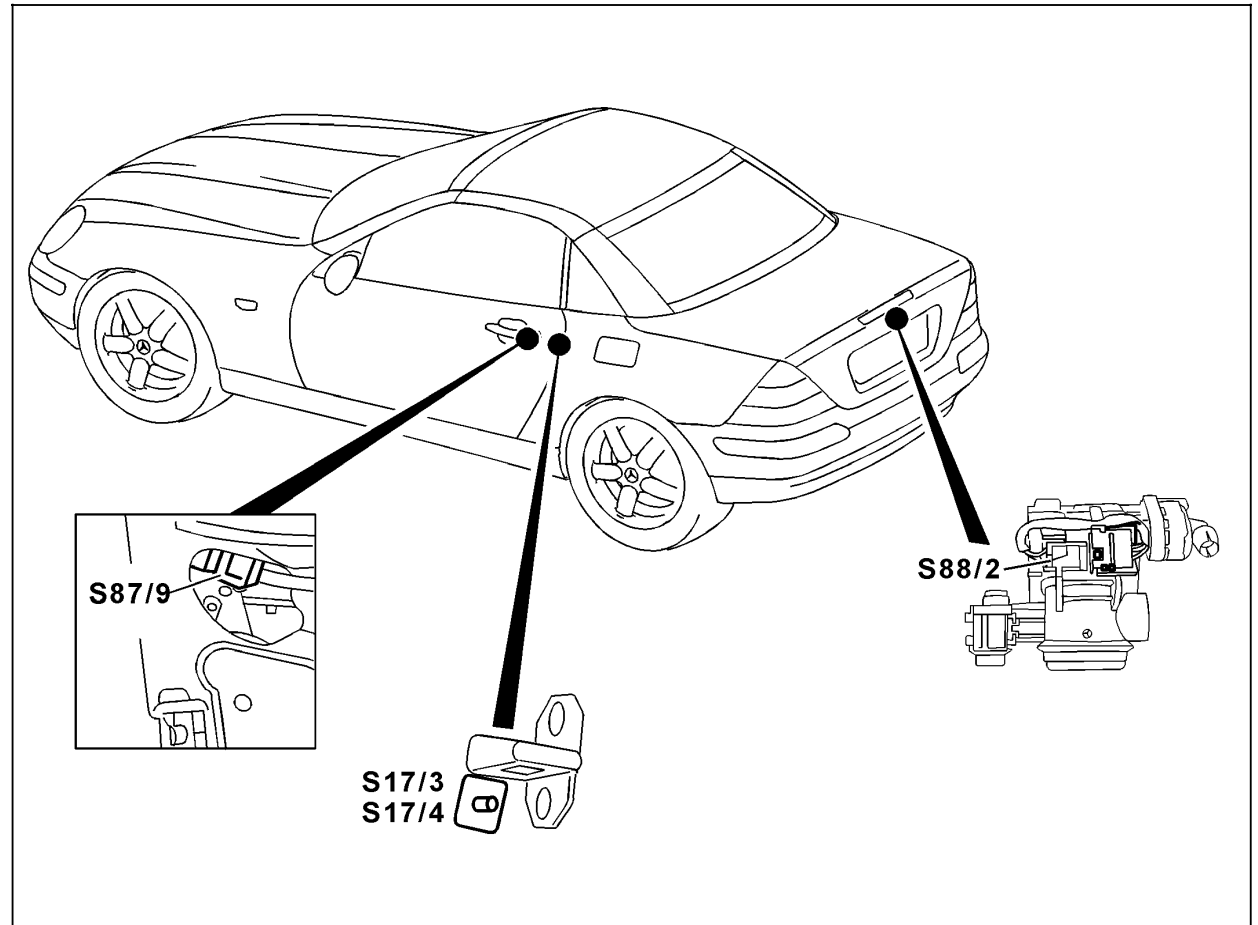


Figure 6

- S17/3 Left front door switch
- S17/4 Right front door switch
- S87/9 Left front door lock switch (only USA J)
- S88/2 Trunk lid lock switch (CF) (only USA J)

P80.20-0441-06