

Electrical Test Program – Component Locations (RHR)

Model 140

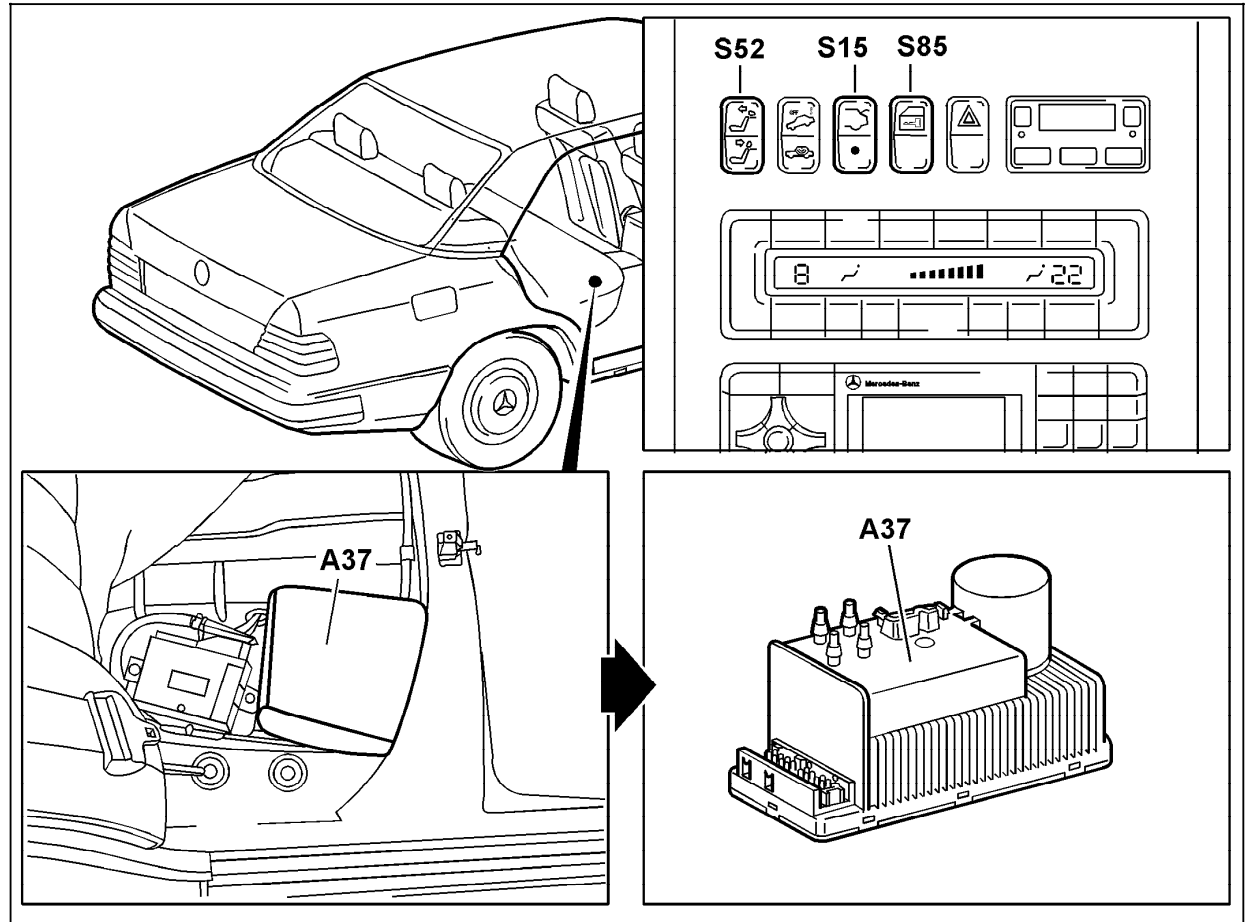


Figure 1

- A37 PSE control module, combined functions
- S52 RHR release switch

P80.20-0438-06