

Electrical Test Program - Preparation for Test

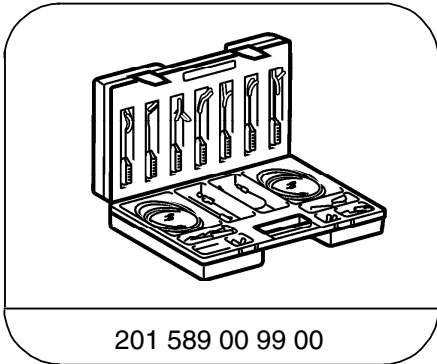
Preparation for Test:

1. Insert module specific module into HHT
2. Battery voltage 11 – 14 V,
3. Fuses ok,
5. Connect socket box with test cable according to connection diagram, see 22, Figures 1, 2 and 3 accordingly, for model being tested.
6. Review section 0, 11, 12, 20, 21, 22, 31, 32.

Electrical Wiring Diagrams:

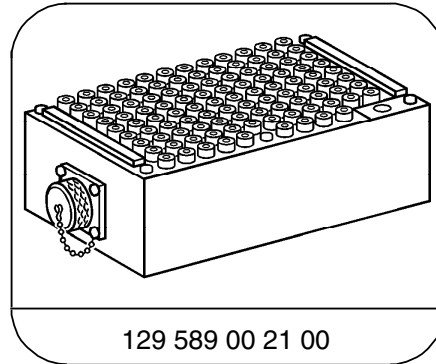
See Electric Troubleshooting Manual, Model 129, Volume 2, group 80,
Model 140, Volume 2, group 80,
Model 170, Volume 2, group 80

Special Tools



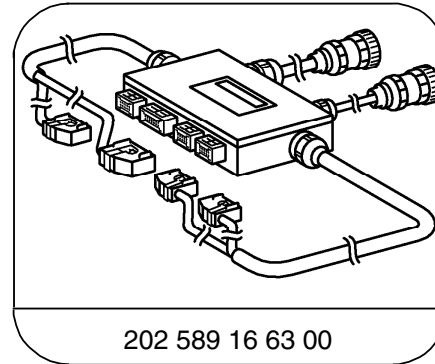
201 589 00 99 00

Electrical connecting set



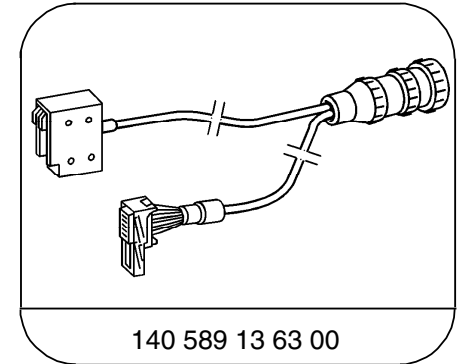
129 589 00 21 00

126-pin socket box



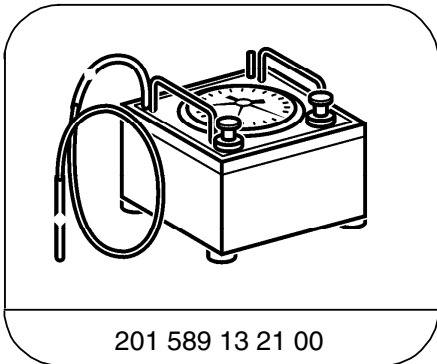
202 589 16 63 00

Test cable (82-pin)



140 589 13 63 00

21-pin test cable



201 589 13 21 00

Tester

3.5 Pneumatic System Equipment (PSE)

Models 129, 140, 170 as of M.Y. 1998

Test equipment; See MBUSA Standard Service Equipment Program

| Description | Brand, model, etc. |
|--------------------|-------------------------------------|
| Digital multimeter | Fluke models 23, 77 III, 83, 85, 87 |

Electrical Test Program - Preparation for Test

Connection Diagram - Socket Box Model 129

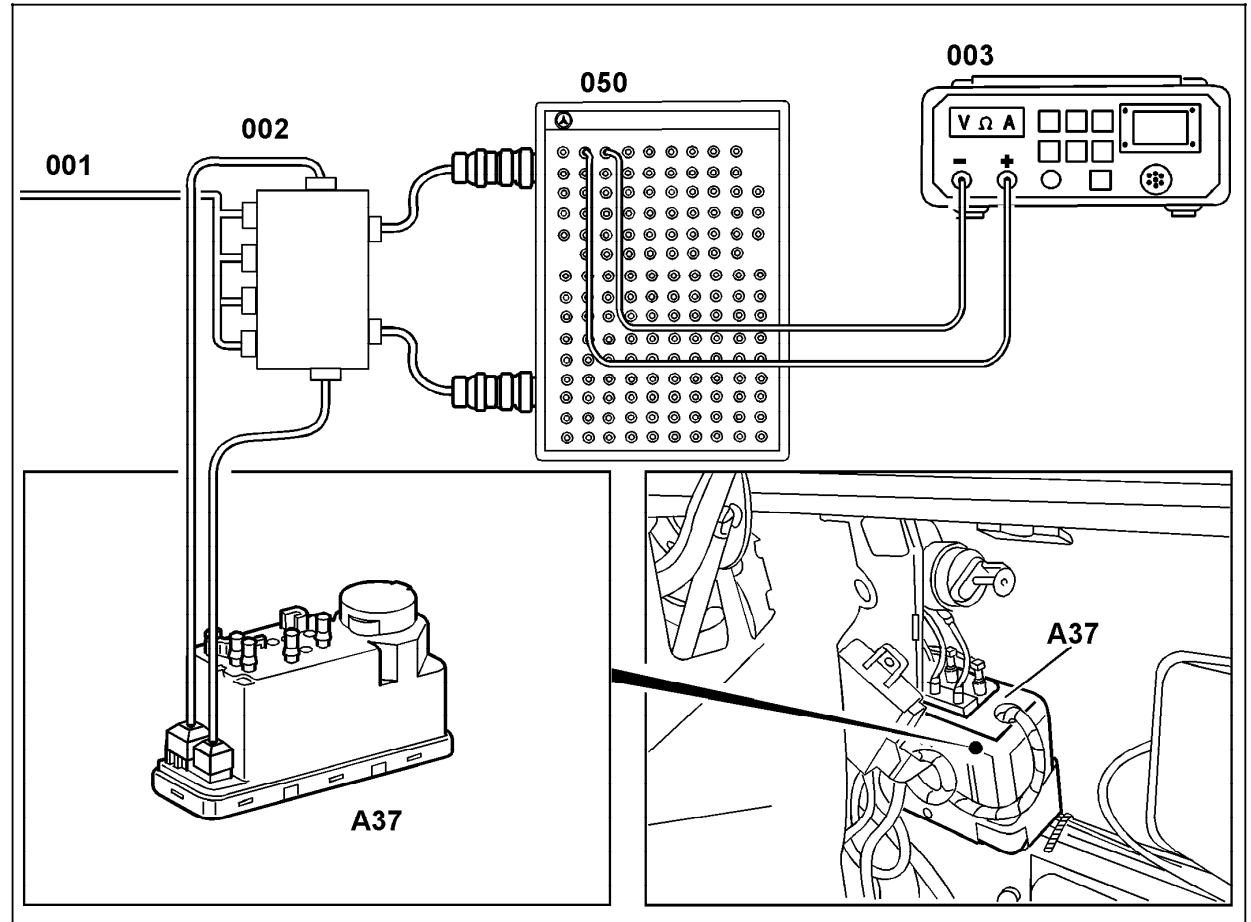


Figure 1

- 001 PSE control module connector
- 002 Test cable (202 589 16 63 00)
- 003 Multimeter
- 050 Socket box (35-pole)
- A37 PSE control module, combined functions

P80.20-0442-06

Electrical Test Program - Preparation for Test

Connection Diagram - Socket Box Model 140

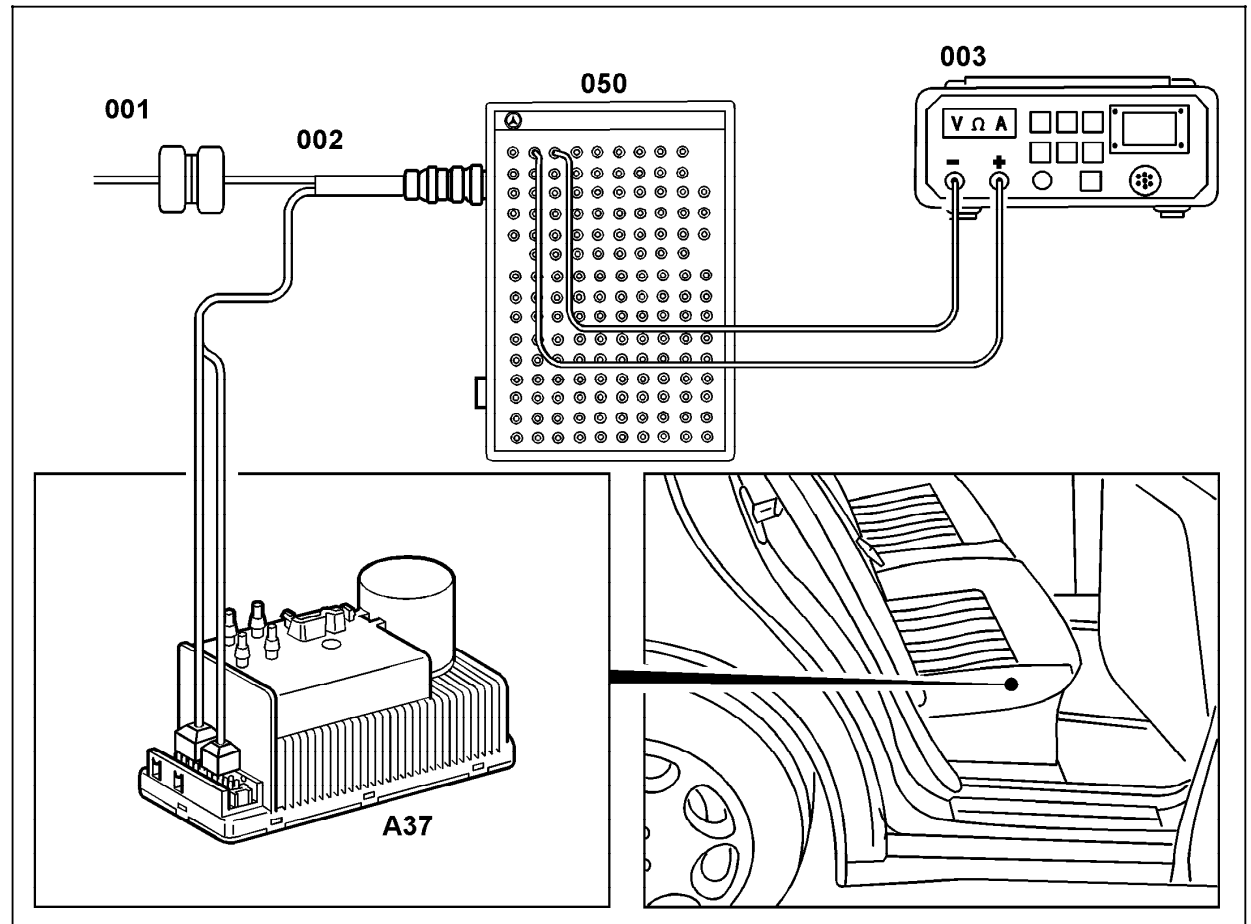


Figure 2

- 001 PSE control module connector
- 002 Test cable (140 589 13 63 00)
- 003 Multimeter
- 050 Socket box (35-pole)
- A37 PSE control module, combined functions

P80.20-0443-06

Electrical Test Program - Preparation for Test

Connection Diagram - Socket Box Model 170

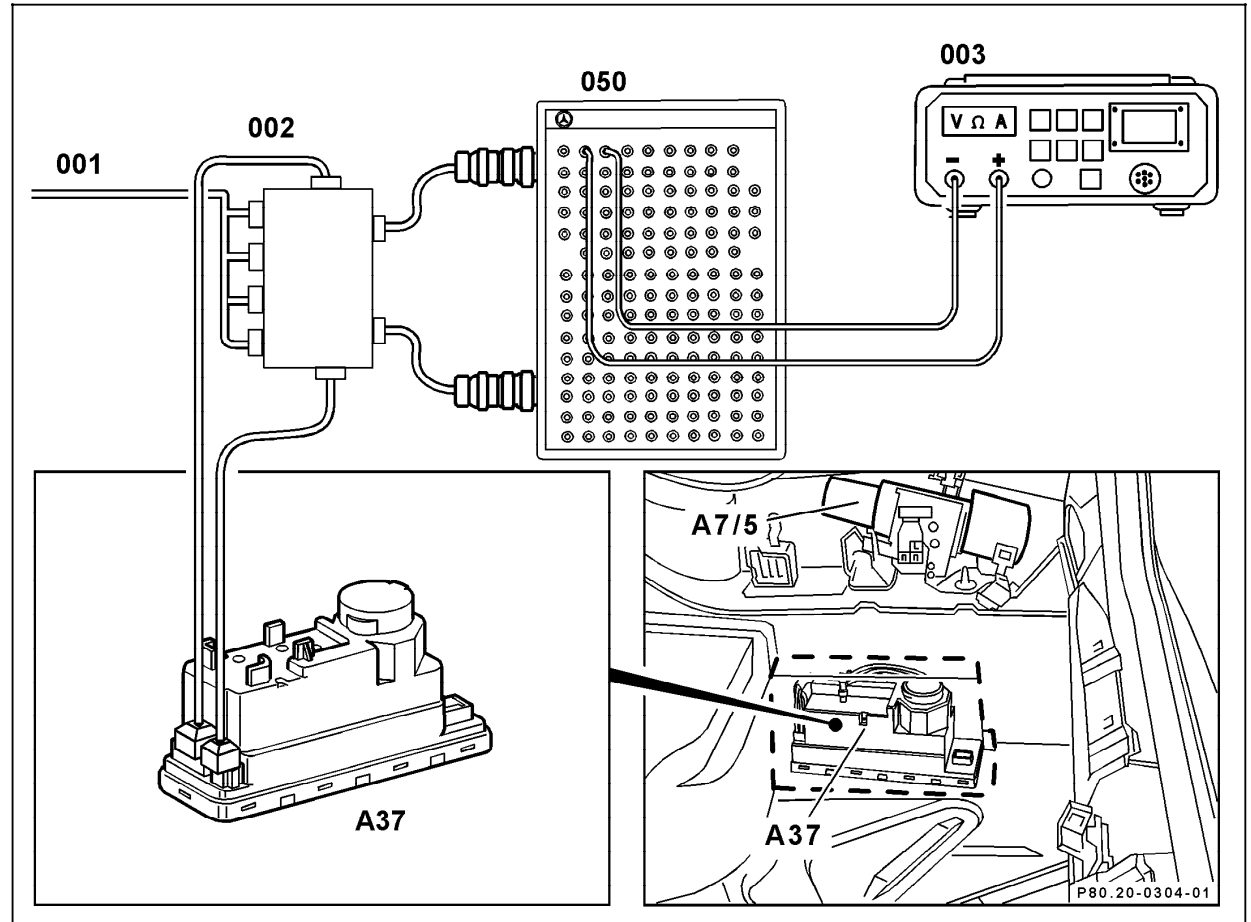


Figure 3

- 001 PSE control module connector
- 002 Test cable (202 589 16 63 00)
- 003 Multimeter
- 050 Socket box (35-pole)
- A37 PSE control module, combined functions

P80.20-0444-06

Electrical Test Program - Preparation for Test

Connections - PSE control module

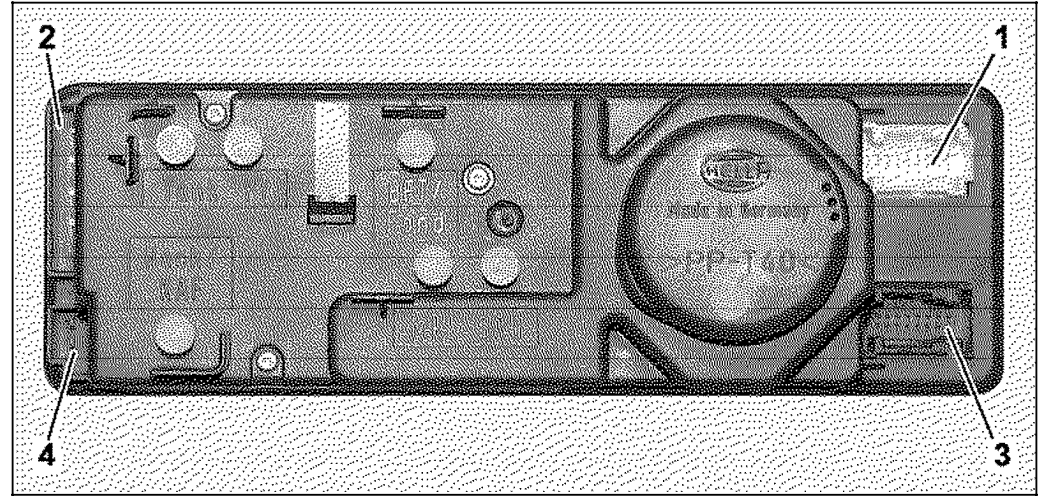


Figure 4

- 1 Connector 1 (control line PSE)
- 2 Connector 2 (voltage supply PSE)
- 3 Connector 3 (control line ATA)
- 4 Connector 4 (load connections ATA)

P80.20-2037-10