

Pneumatic Test Program – Component Locations

Model 129

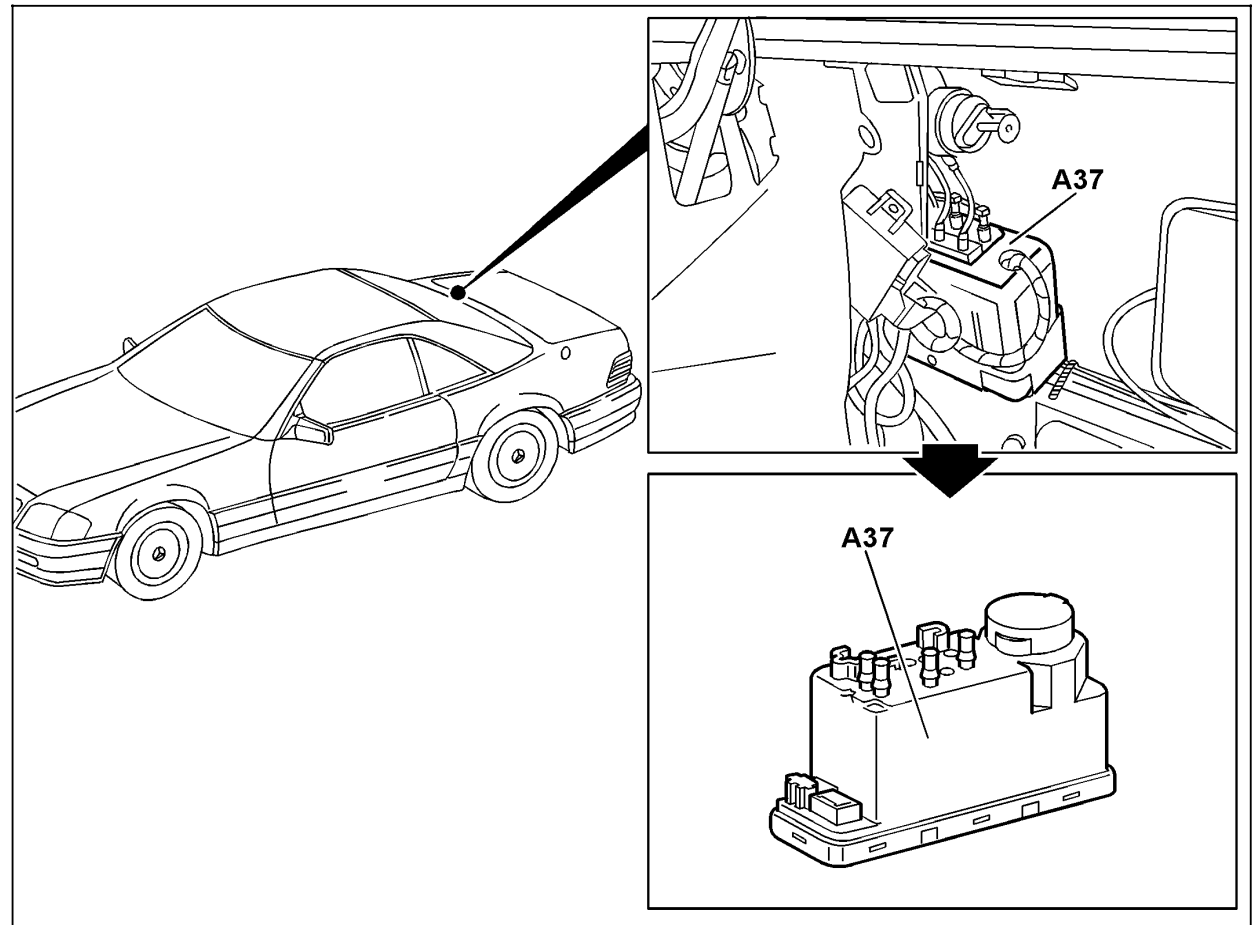


Figure 1

A37 PSE control module, combined functions

P80.20-0433-06

Pneumatic Test Program – Component Locations

Model 140

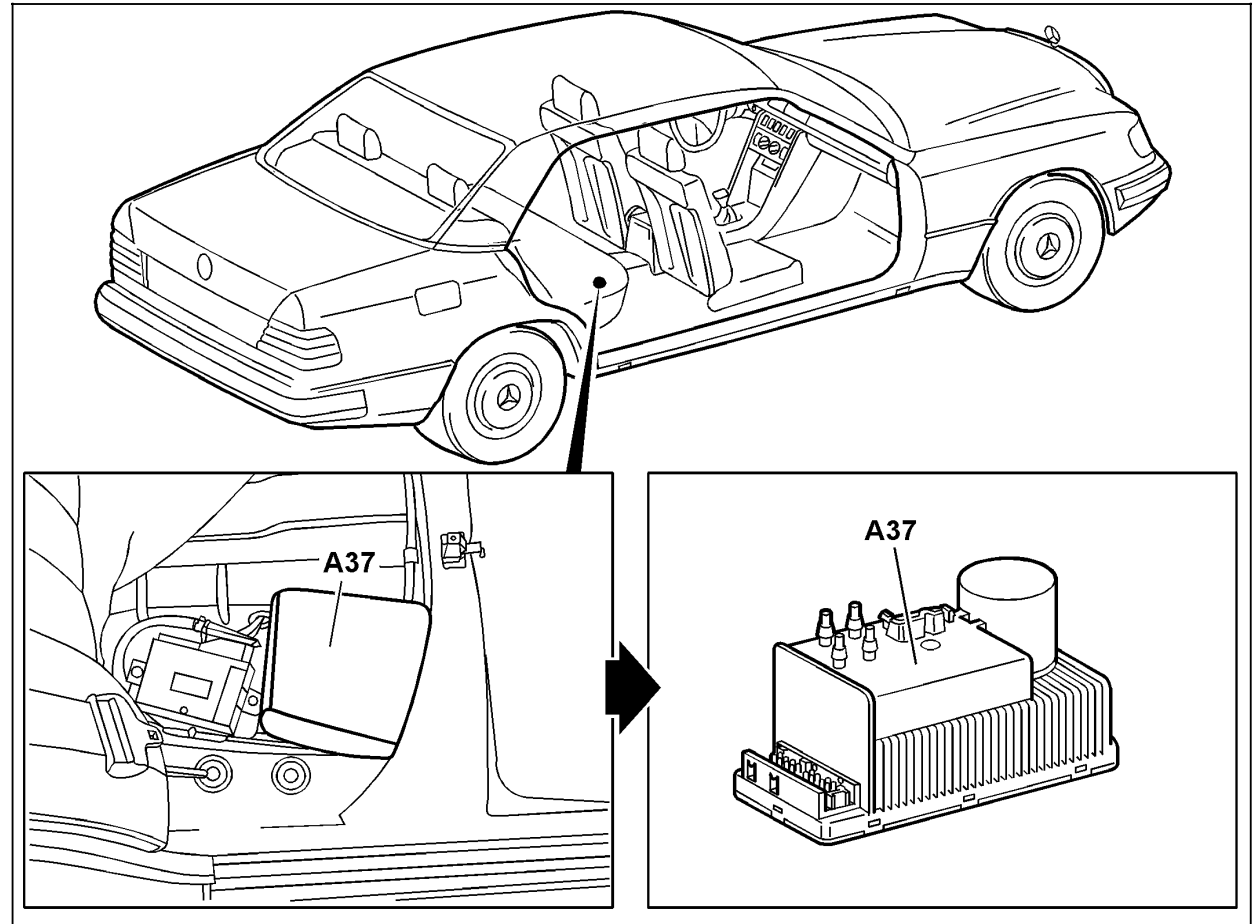


Figure 2

A37 PSE control module, combined functions

P80.20-0434-06

Pneumatic Test Program – Component Locations

Model 170

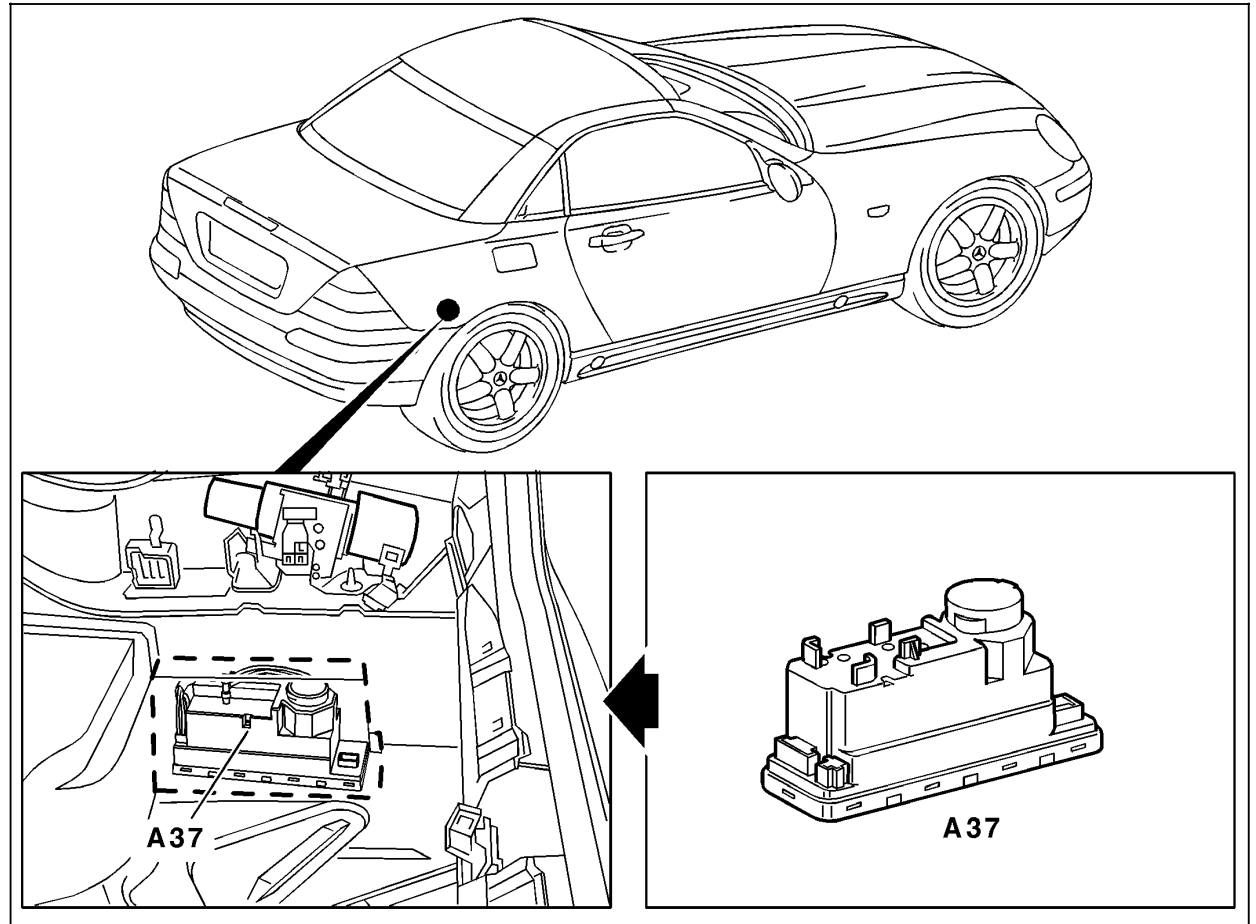


Figure 3

A37 PSE control module, combined functions

P80.20-0454-06