

## Electrical Test Program – Component Locations

Model 129  
Xenon Headlamps

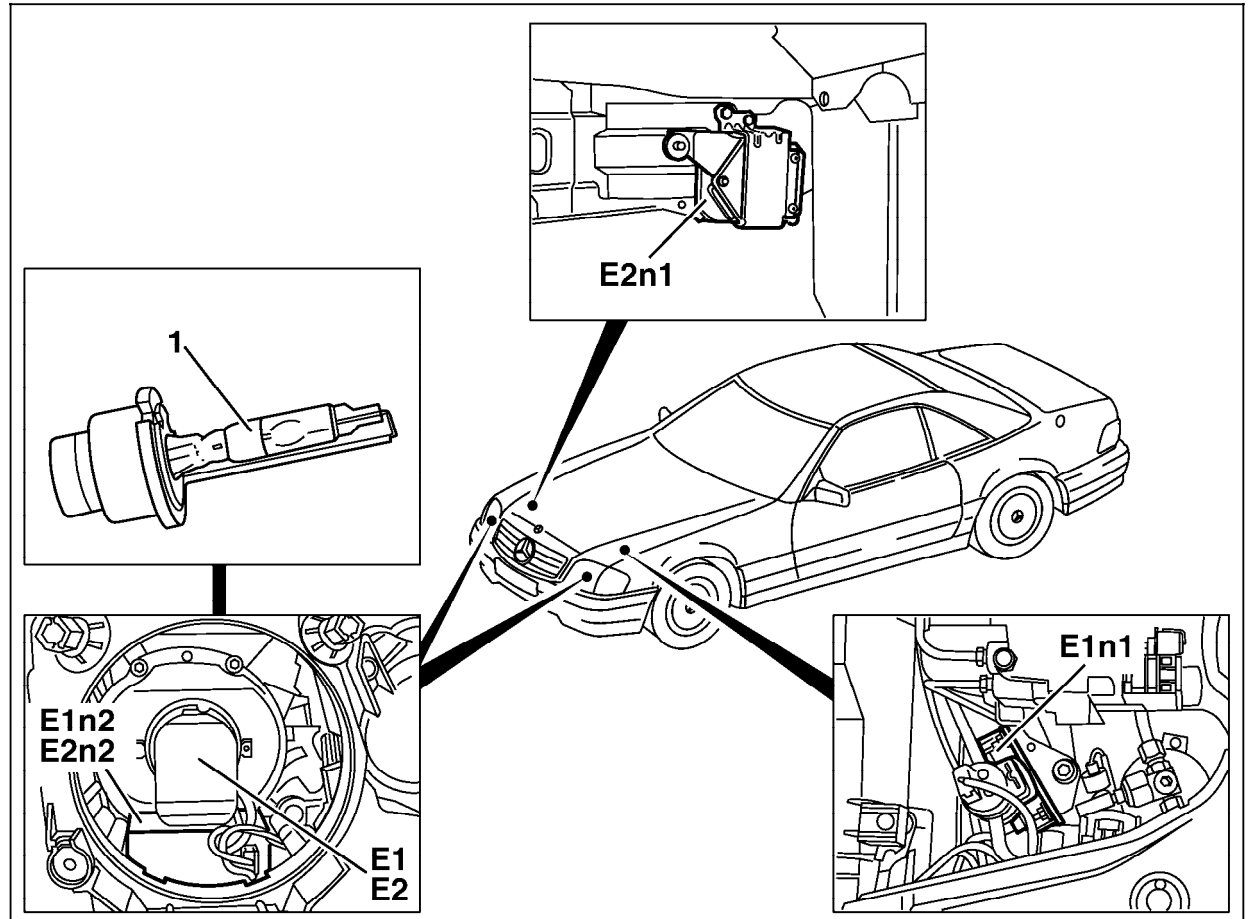


Figure 1

- 1 Xenon headlamp (D2R, 35W)
- E1 Left headlamp unit
- E1n1 Xenon headlamp control module
- E1n2 Xenon headlamp ignition module
- E2 Right headlamp unit
- E2n1 Xenon headlamp control module
- E2n2 Xenon headlamp ignition module

P82.10-0294-57

## Electrical Test Program – Component Locations

### Model 140 Xenon Headlamps

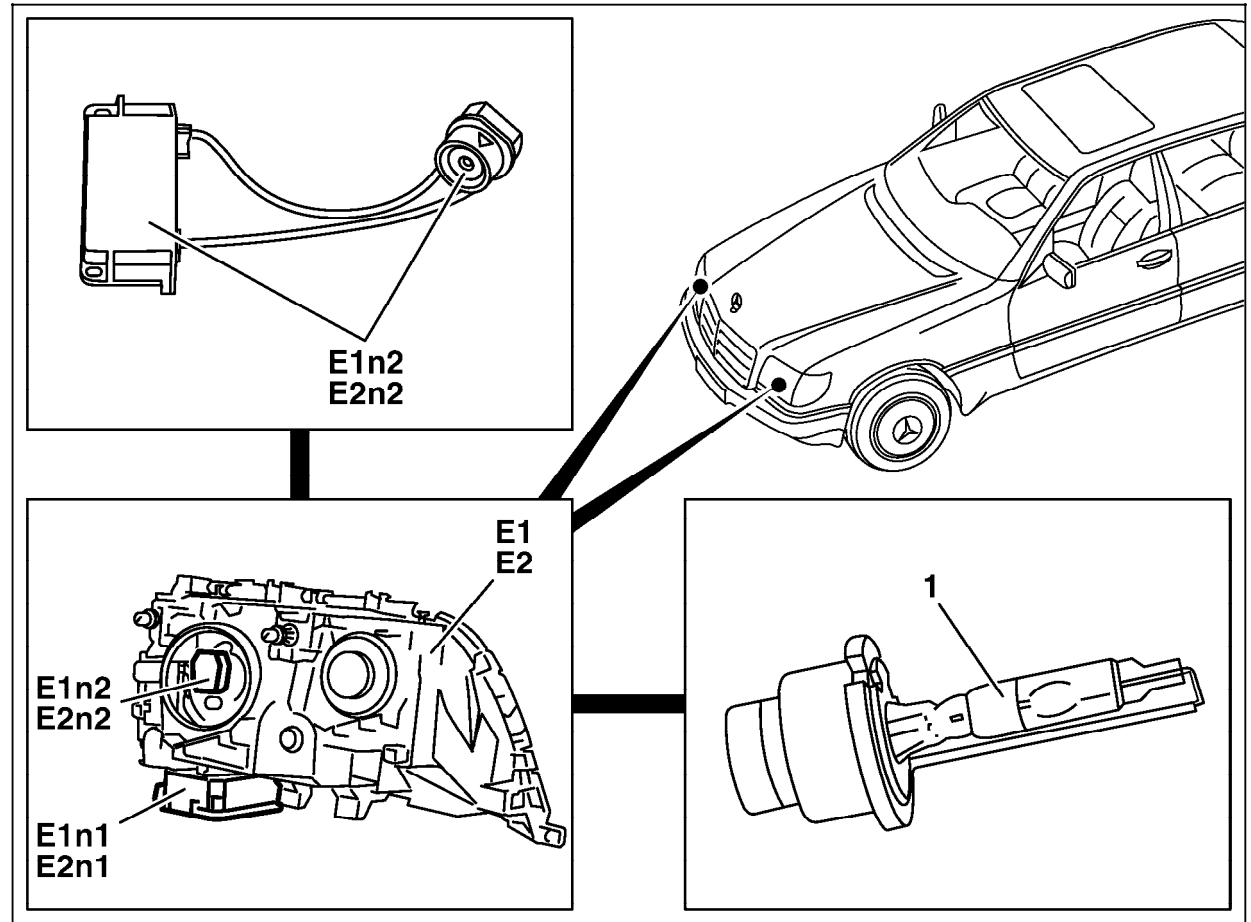


Figure 1

- 1 Xenon headlamp (D2R, 35W)
- E1 Left headlamp unit
- E1n1 Xenon headlamp control module
- E1n2 Xenon headlamp ignition module
- E2 Right headlamp unit
- E2n1 Xenon headlamp control module
- E2n2 Xenon headlamp ignition module

P82.10-0398-57