

Electrical Test Program – Component Locations

Headlamp Range Adjustment Model 202

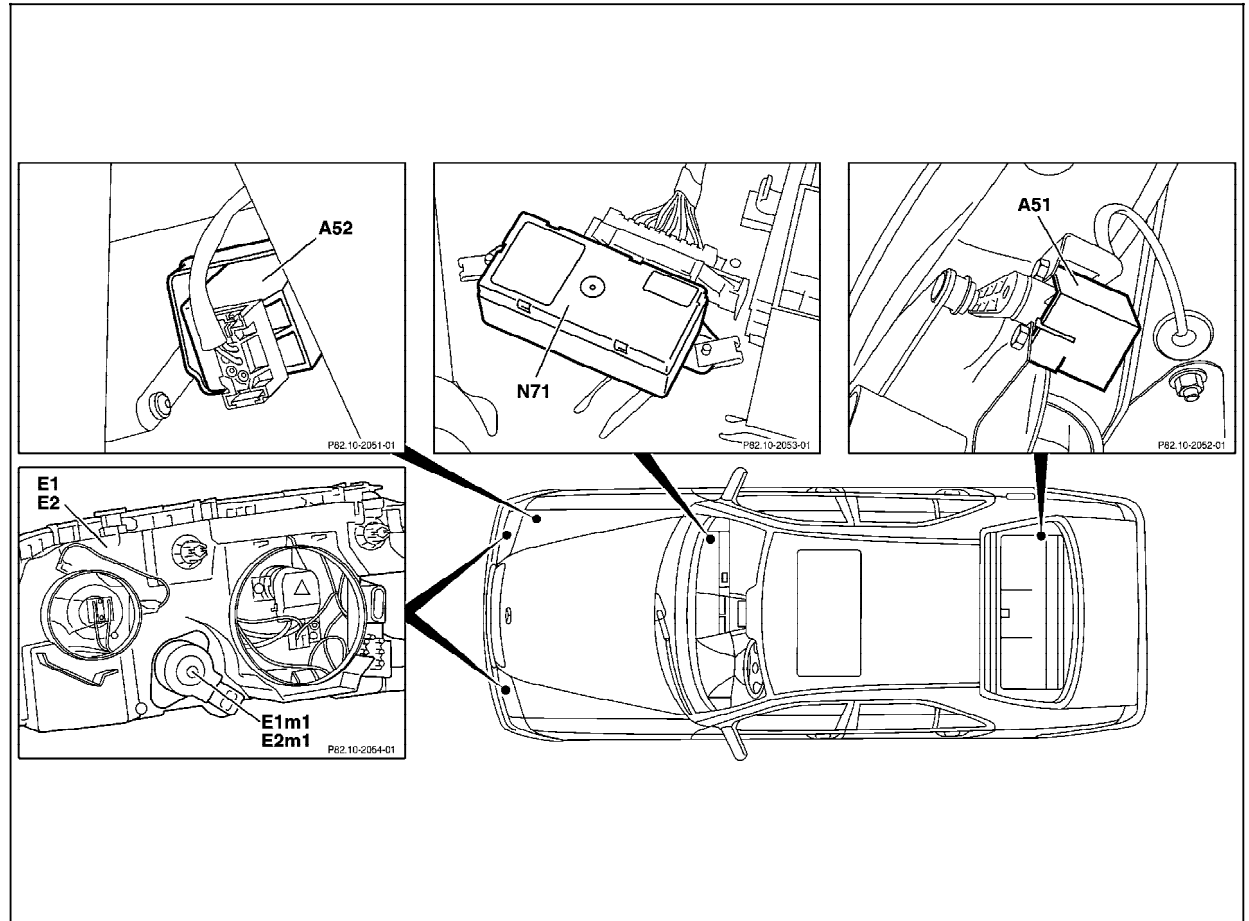


Figure 1

- A51 Rear axle sensor (headlamp range adjustment)
- A52 Front axle sensor (headlamp range adjustment)
- E1 Left headlamp unit
- E1m1 Headlamp range adjustment motor
- E2 Right headlamp unit
- E2m1 Headlamp range adjustment motor
- N71 Headlamp range adjustment control module

P82.10-2050-09

Electrical Test Program – Component Locations

Headlamp Range Adjustment Model 208

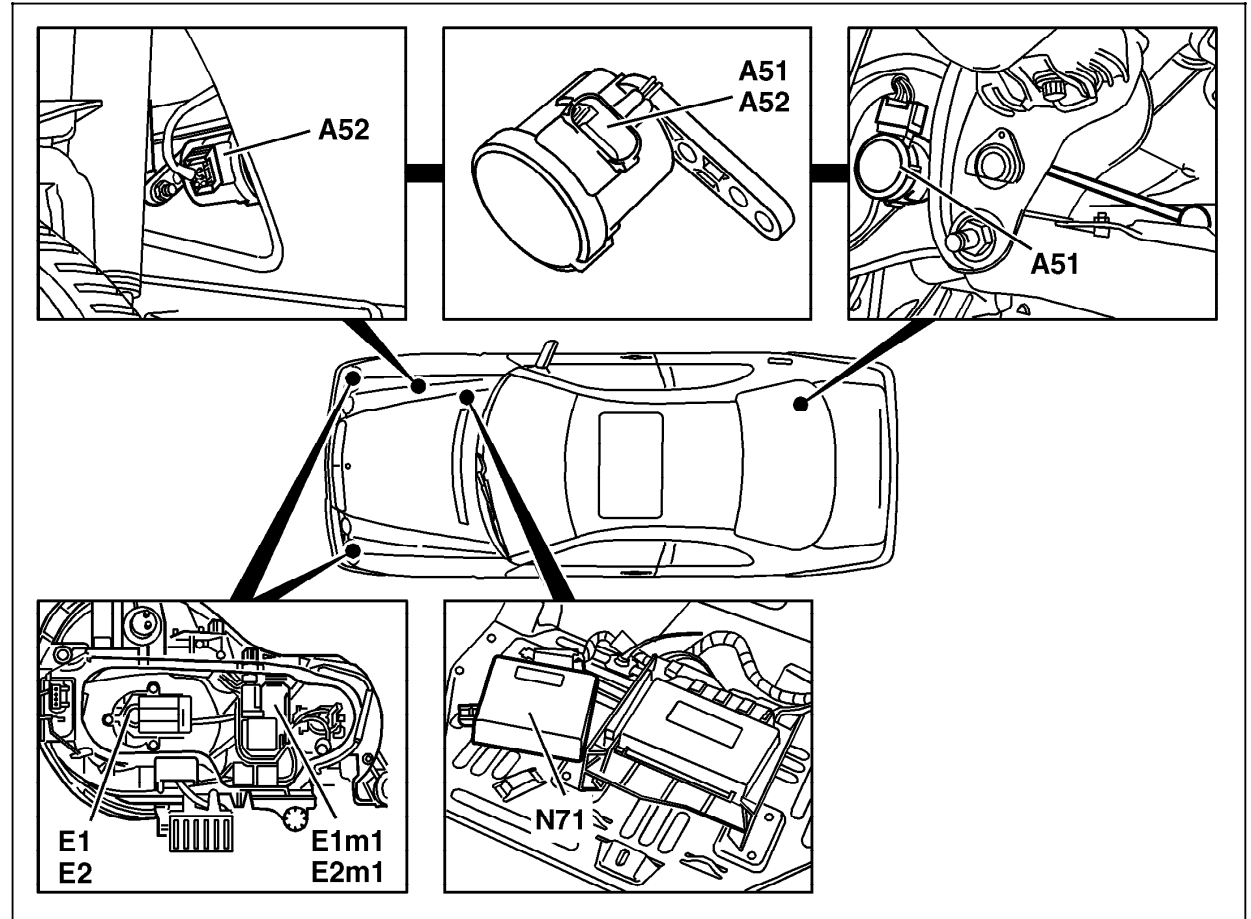


Figure 2

- A51 Rear axle sensor (headlamp range adjustment)
- A52 Front axle sensor (headlamp range adjustment)
- E1 Left headlamp unit
- E1m1 Headlamp range adjustment motor
- E2 Right headlamp unit
- E2m1 Headlamp range adjustment motor
- N71 Headlamp range adjustment control module

P82.10-0730-06

Electrical Test Program – Component Locations

Headlamp Range Adjustment Model 210

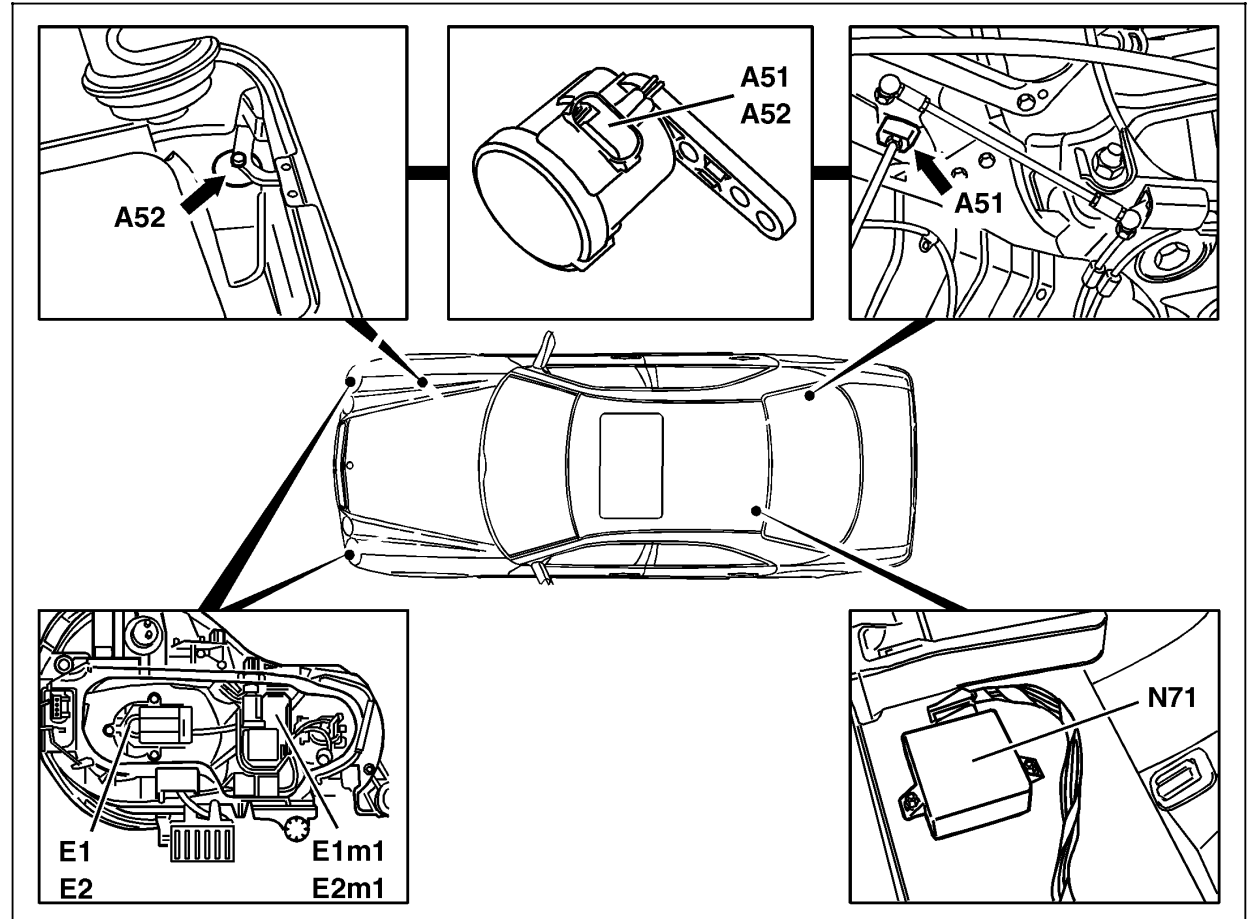


Figure 3

- A51 Rear axle sensor (headlamp range adjustment)
- A52 Front axle sensor (headlamp range adjustment)
- E1 Left headlamp unit
- E1m1 Headlamp range adjustment motor
- E2 Right headlamp unit
- E2m1 Headlamp range adjustment motor
- N71 Headlamp range adjustment control module

P82.10-0293-06