

Electrical Test Program – Component Locations

Model 210 Wiper System

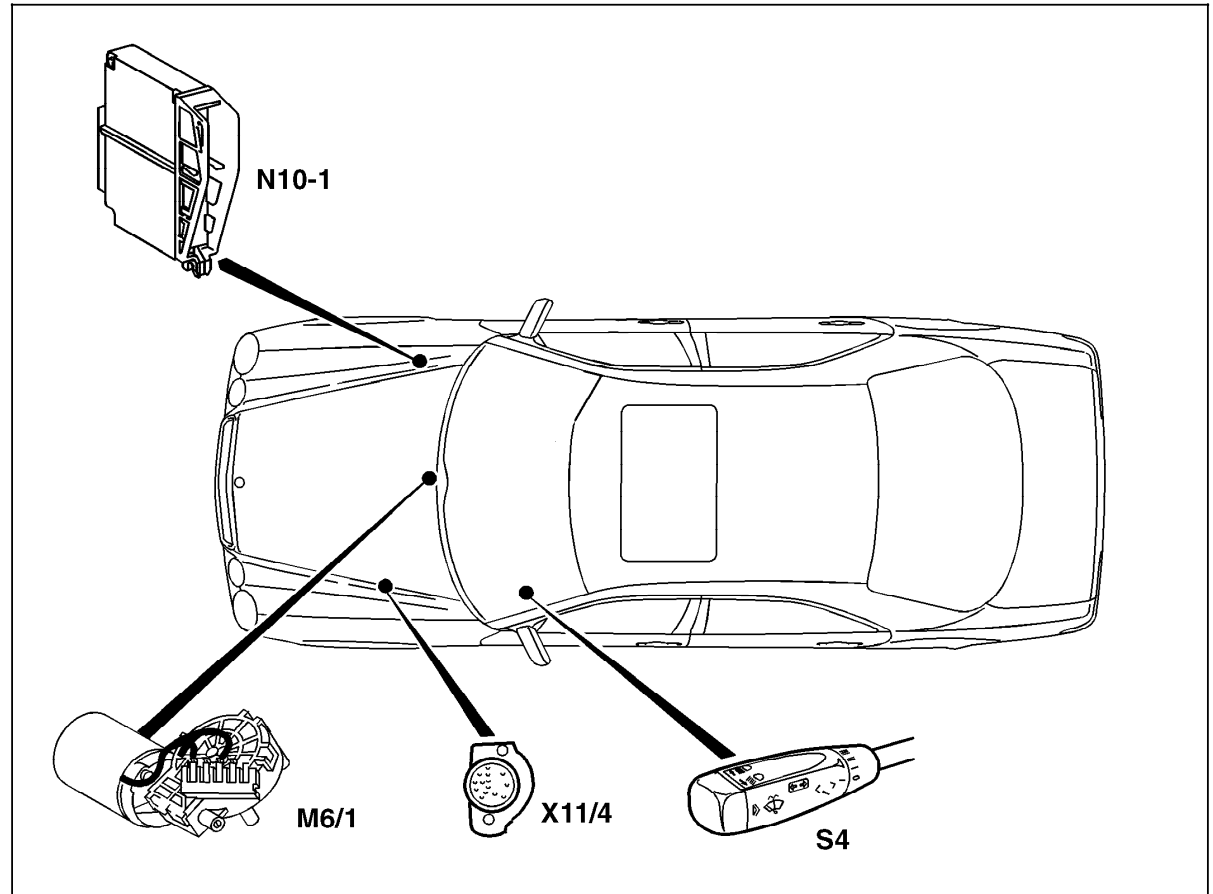


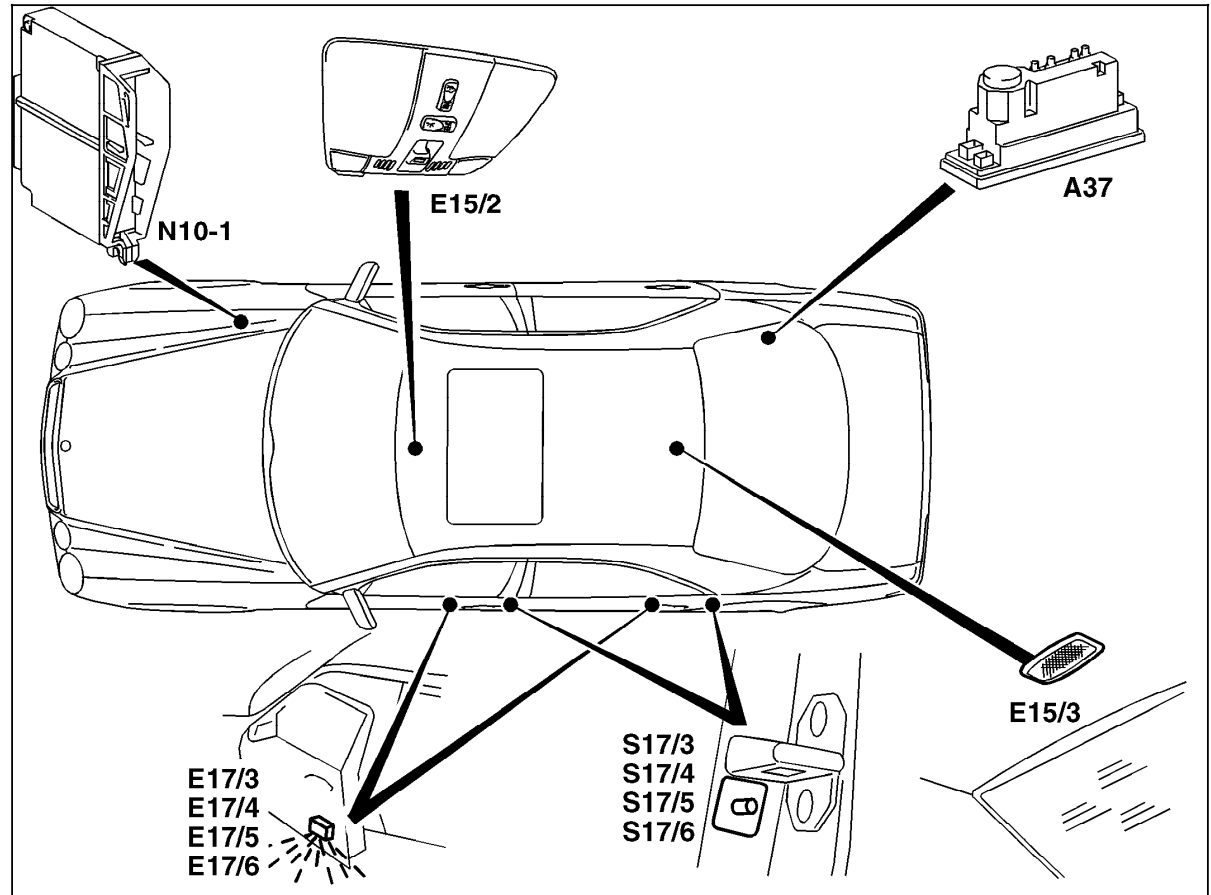
Figure 1

- M6/1 Wiper motor
- N10-1 Combination control module
- S4 Combination switch
- X11/4 Date link connector (DTC readout)

U82.30-0232-06

### Electrical Test Program – Component Locations

#### Model 210 Interior Lighting



P82.20-0215-06

Figure 2

A37	PSE control module, combined functions
E15/2	Front dome lamp (with shut-off delay and front reading lamp)
E15/3	Rear dome lamp
E17/3	Left front door entrance/exit lamp
E17/4	Right front door entrance/exit lamp
E17/5	Left rear door entrance/exit lamp
E17/6	Right rear door entrance/exit lamp
N10-1	Combination control module
S17/3	Left front door switch
S17/4	Right front door switch
S17/5	Left rear door switch
S17/6	Right rear door switch

Electrical Test Program – Component Locations

Model 210 Heated rear window

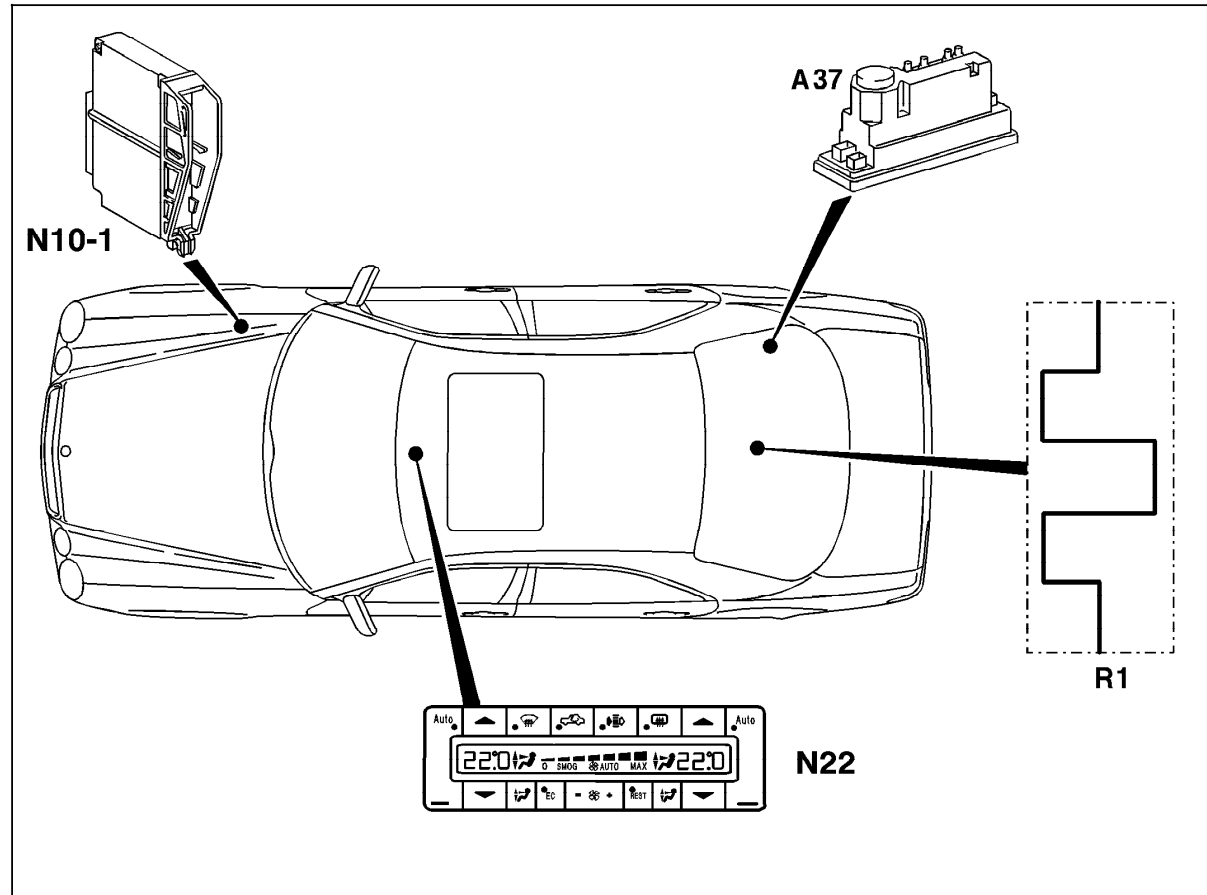


Figure 3

- A37 PSE control module, combined functions
- N10-1 Combination control module
- N22 A/C pushbutton control module (Automatic A/C)
- R1 Rear window defroster element

U67.29-0201-06

Electrical Test Program – Component Locations

Model 210

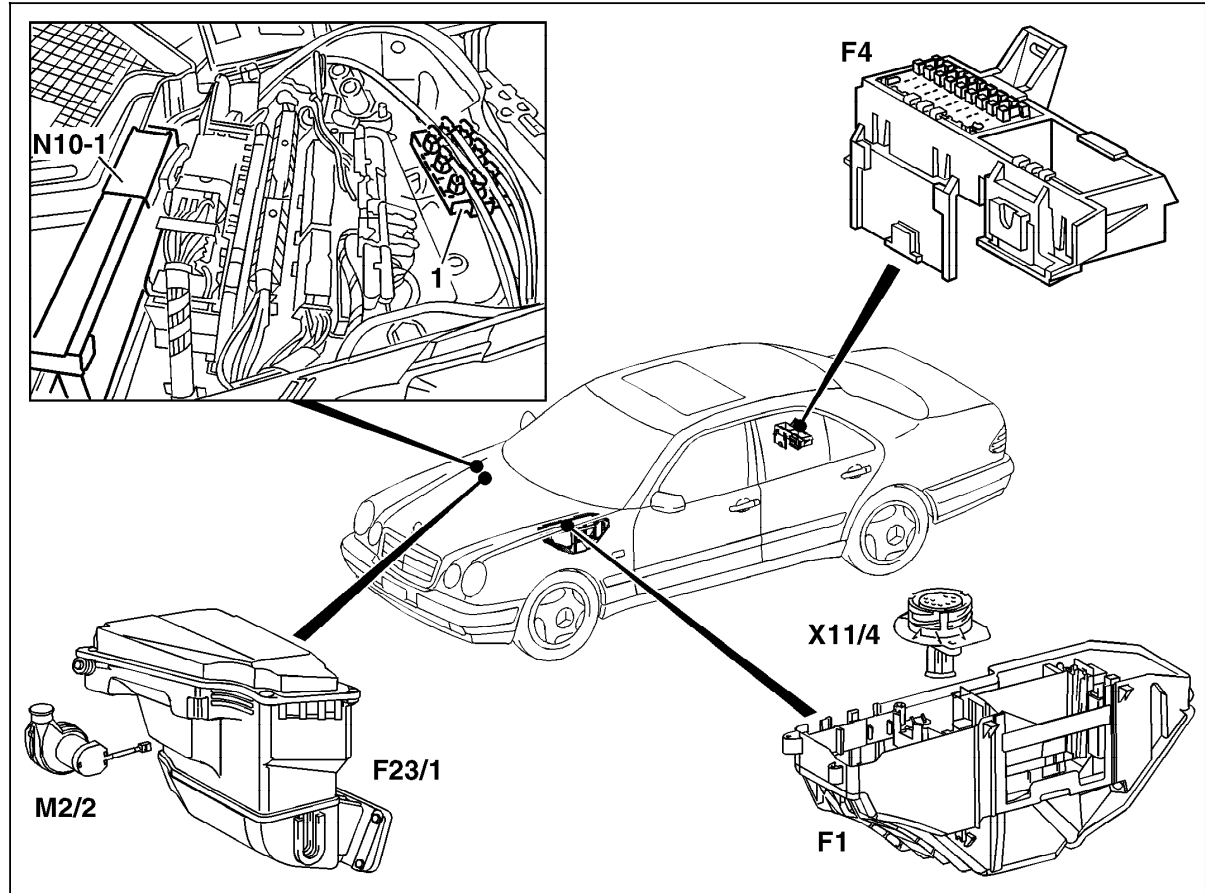


Figure 4

- F1 Fuse and relay box
- F4 Rear fuse box
- F23/1 Control module box
- M2/2 Module box blower motor
- N10-1 Combination control module
- X11/4 Data link connector (DTC readout)

P54.21-0213-06

Electrical Test Program – Component Locations

Model 170 Wiper System

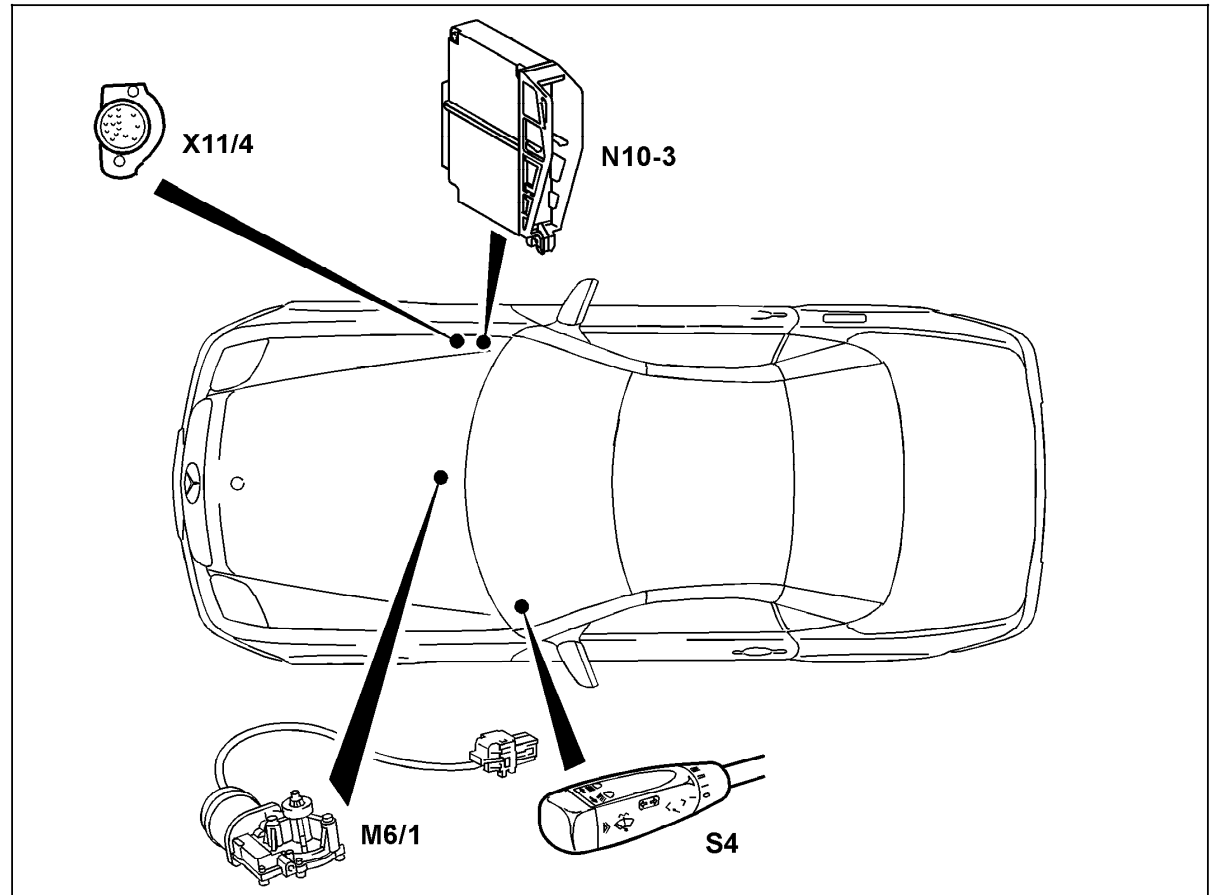


Figure 5

- M6/1 Wiper motor
- N10-3 Combination control module
- S4 Combination switch
- X11/4 Data link connector (DTC readout)

U82.30-0235-06

Electrical Test Program – Component Locations

Model 170 Interior Lighting

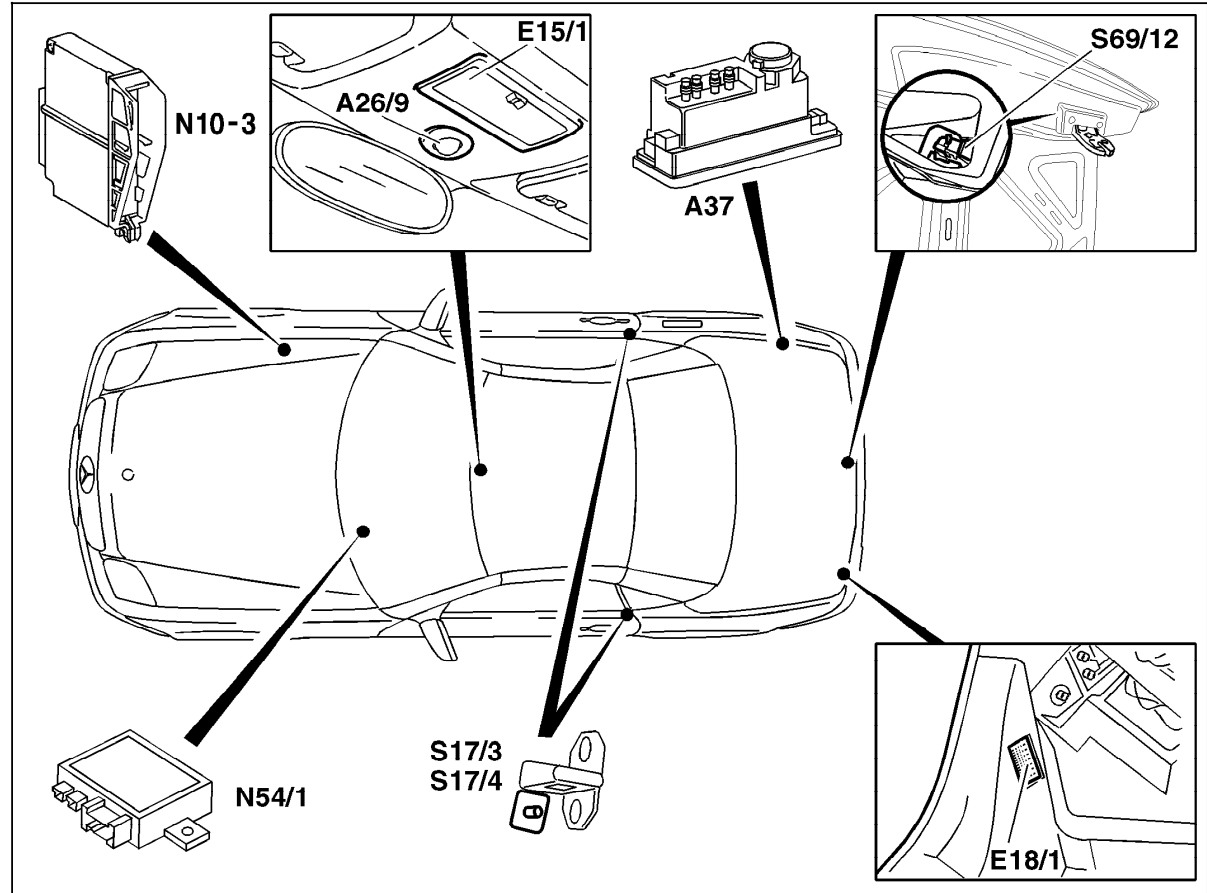


Figure 6

- A26/9 RCL receiver (roof frame)
- A37 PSE control module
- E15/1 Front dome lamp (with switch)
- E18/1 Trunk lamp
- N10-3 Combination control module
- N54/1 IR DAS control module
- S17/3 Left front door switch
- S17/4 Right front door switch
- S69/12 Rotary latch selector switch, trunk lock/trunk illumination

P82.20-0223-06

Electrical Test Program – Component Locations

Model 170 Heated Rear Window

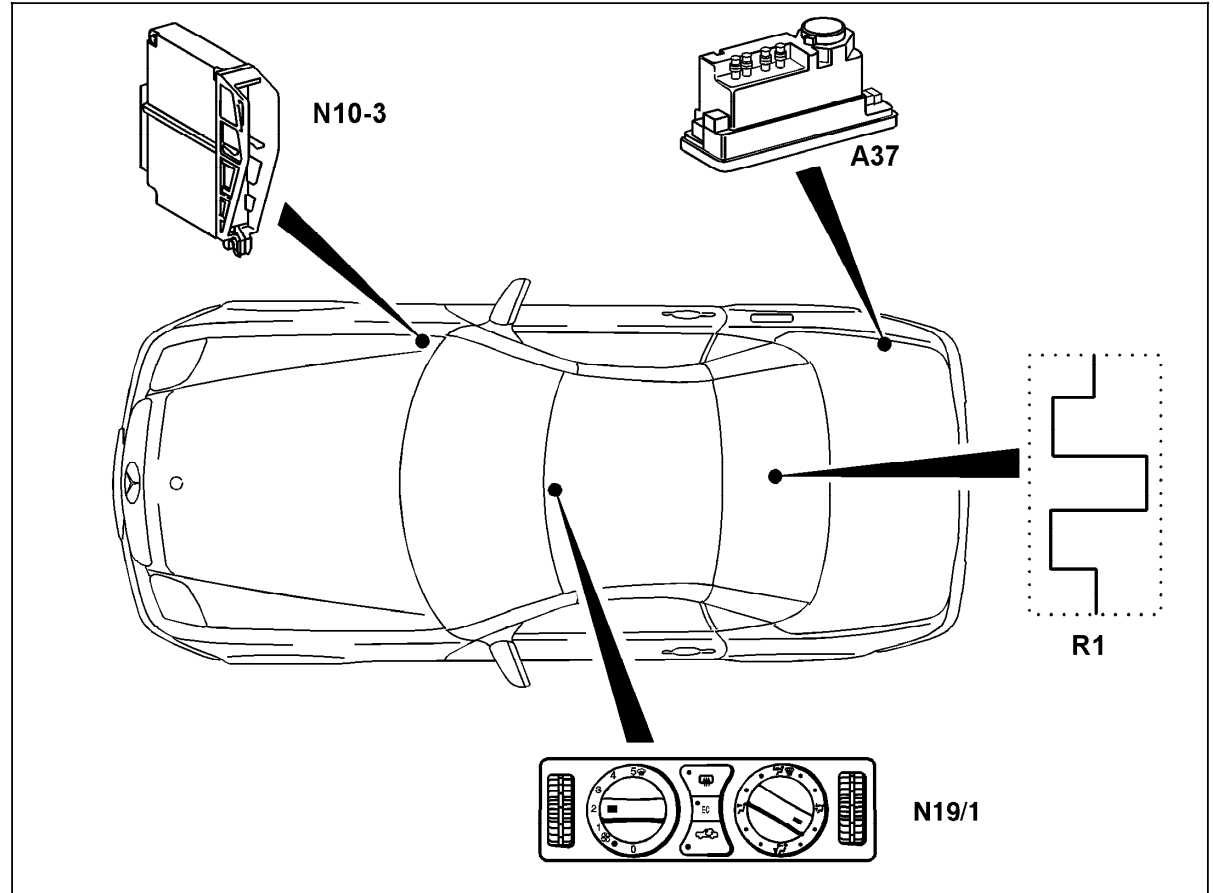


Figure 7

- A37 PSE control module
- N10-3 Combination control module
- N19/1 A/C pushbutton control module (Tempmatic)
- R1 Rear window defroster element

U67.29-0205-06

Electrical Test Program – Component Locations

Model 170

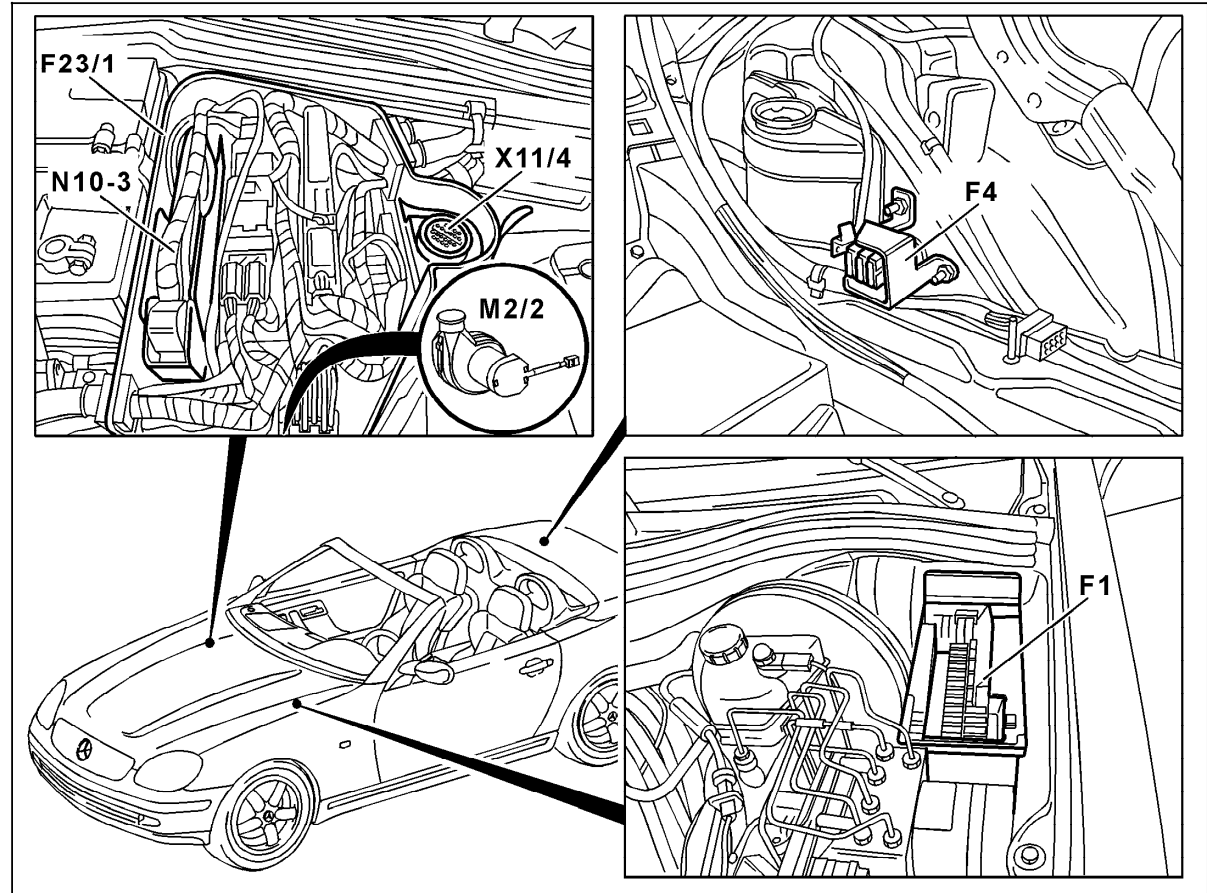


Figure 8

- F1 Fuse and relay box
- F4 Fuse box in trunk
- F23/1 Control module box
- M2/2 Module box blower motor
- N10-3 Combination control module
- X11/4 Data link connector (DTC readout)

P54.21-0214-06