

Electrical Test Program – Component Locations

Front Windshield Wiper System

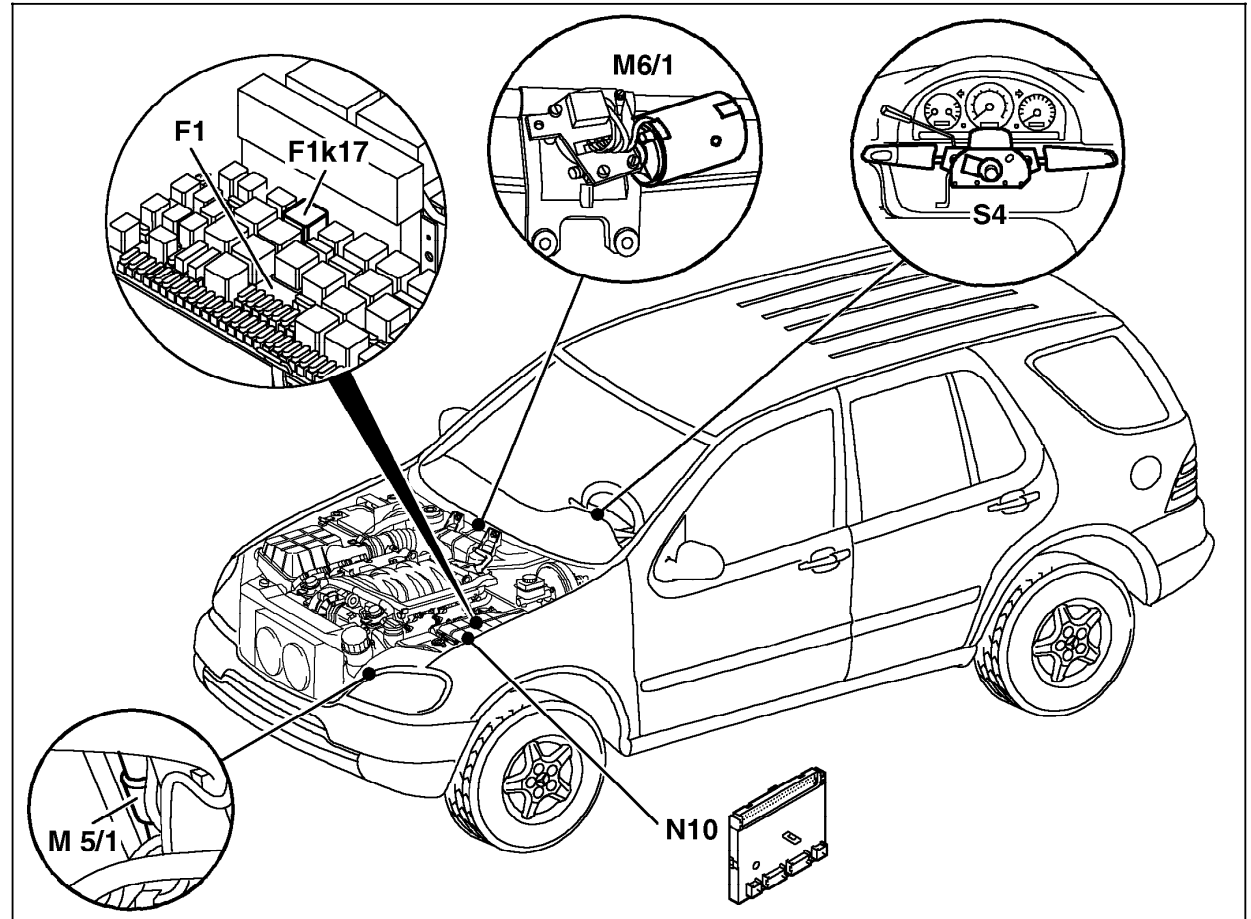


Figure 1

- F1 Fuse and relay box
- F1k17 Front wiper motor relay
- M5/1 Windshield washer pump
- M6/1 Wiper motor
- N10 All Activity Module (AAM)

P82.30-0364-06

Electrical Test Program – Component Locations

Rear Window Wiper System

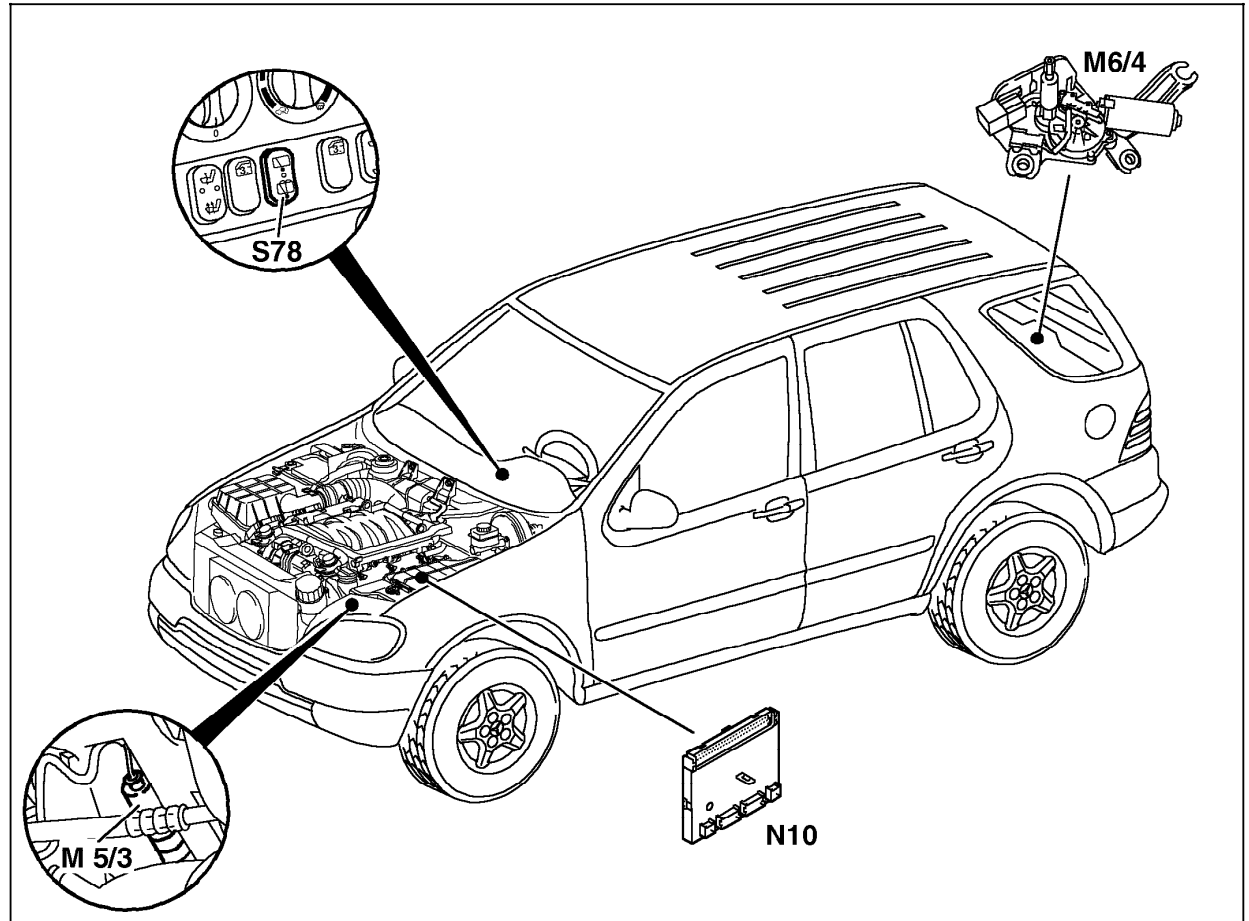


Figure 2

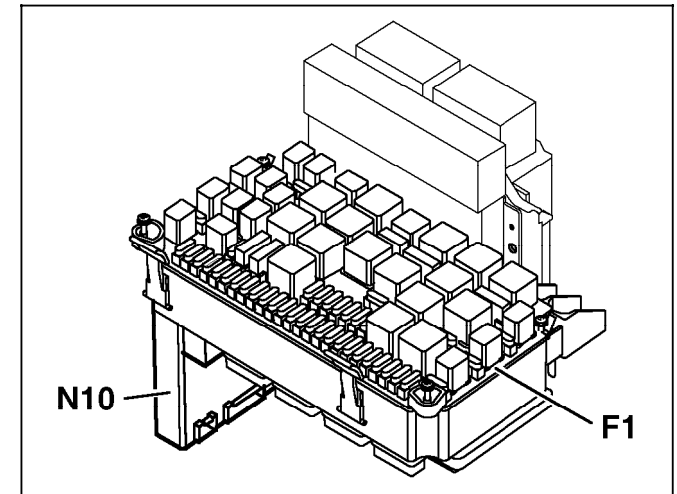
- M5/3 Rear window washer pump
- M6/4 Rear window wiper motor
- N10 All Activity Module (AAM)
- S78 Rear window wiper/washer switch

P82.30-0365-06

### Electrical Test Program – Component Locations

The **All Activity Module (N10)** is located on the left side of the engine compartment and is plugged into the underside of the **Fuse and Relay Box (F1)** (Figure 3).

Figure 3



P42.35-0248-01

Electrical Test Program – Component Locations

Interior Lighting

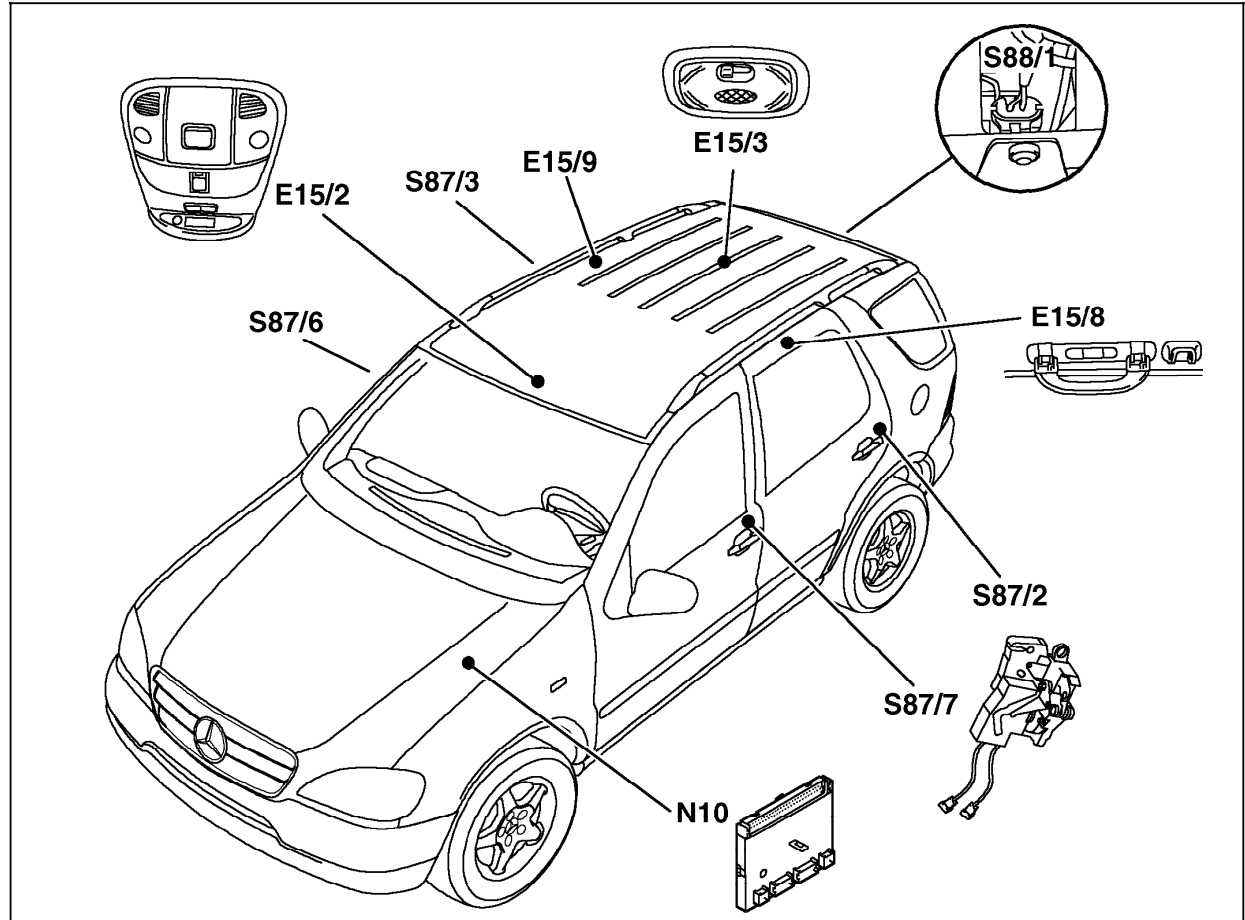


Figure 4

- N10 Fuse and relay box
- E15/2 Front dome lamp (with shut-off delay and front reading lamp)
- E15/3 Rear dome lamp
- E15/8 Left rear dome lamp
- E15/9 Right rear dome lamp
- S87/2 Left rear door rotary tumbler microswitch
- S87/3 Right rear door rotary tumbler microswitch
- S87/6 Right front door rotary tumbler microswitch
- S87/7 Left front door rotary tumbler microswitch
- S88/1 Rotary tumbler/tailgate microswitch

P82.20-0327-06

Electrical Test Program – Component Locations

Connector layout for:

- Left front door separation point (X35/1)
- Right front door separation point (X35/2)
- Left rear door separation point (X35/3)
- Right rear door separation point (X35/4)

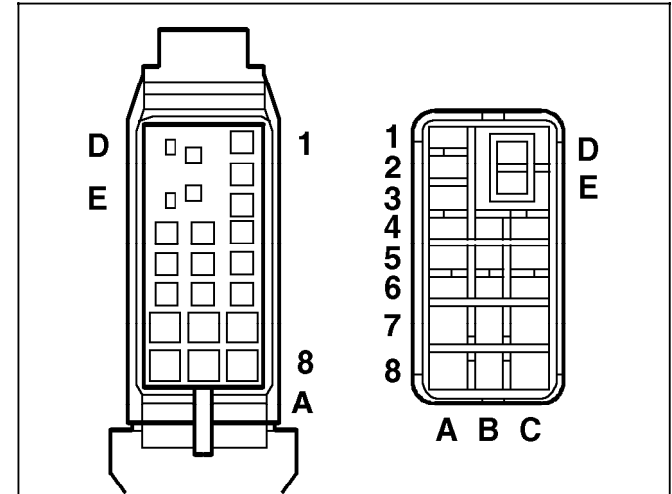


Figure 5

P54.18-0406-01

Electrical Test Program – Component Locations

Heated Rear Window

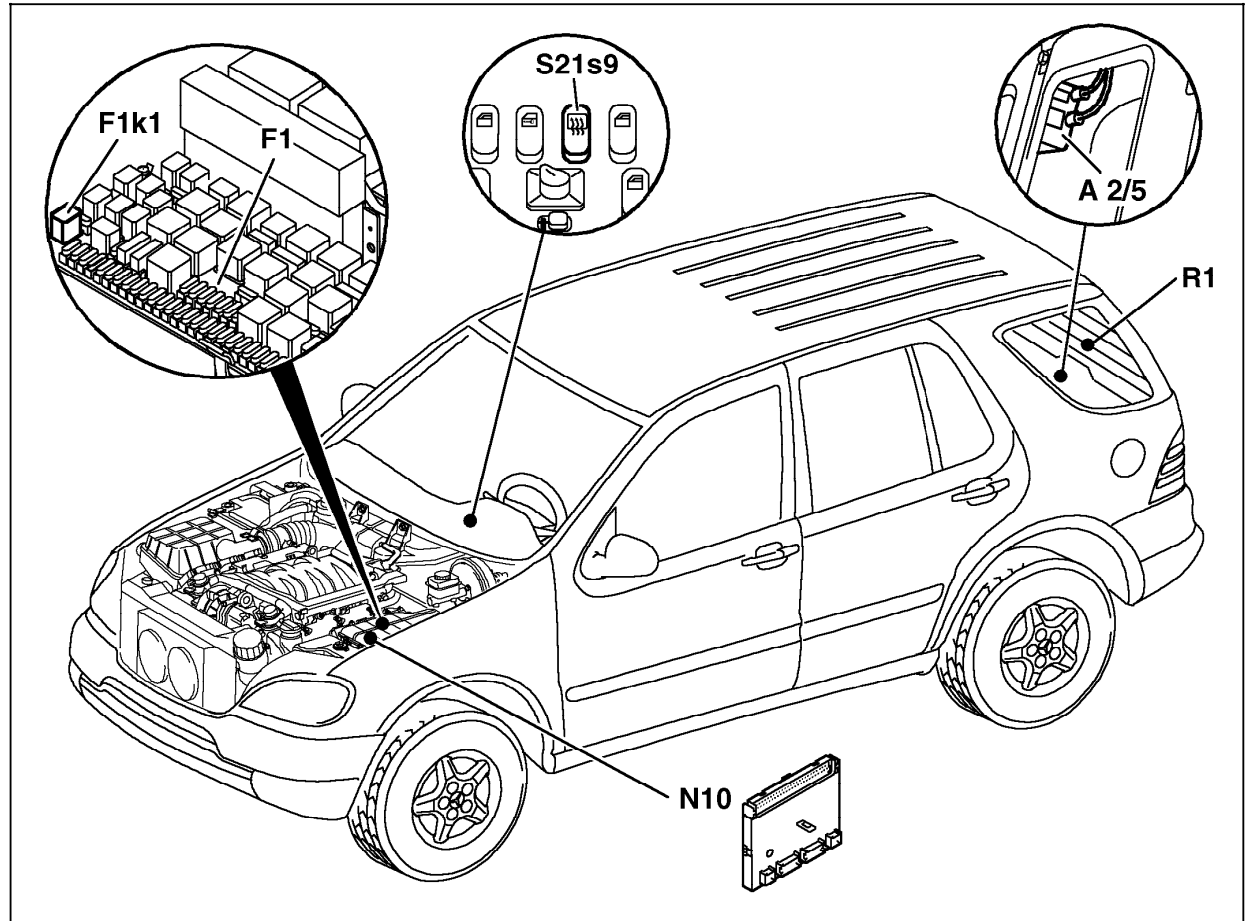


Figure 6

- A2/5 Antenna splitter
- F1 Fuse and relay box
- F1k1 Rear window defroster relay
- N10 All Activity Module (AAM)
- R1 Rear window defroster element
- S21s9 Heated rear window switch

P67.29-0216-06