

### Electrical Test Program – Preparation for Test

#### Preparation for Test:

1. Battery voltage 11 – 14 V,
2. Fuses ok,
3. Connect HHT, see section 0

Electrical wiring diagrams:

Electrical Troubleshooting Manual, Model 163,  
(available in Work Shop Information System [WIS] only)

#### CAUTION!

Injury hazard from pinching and crushing, in extreme cases extremities can even be severed when caught in windshield wiper mechanism.

When working in the area of the windshield wiper mechanism with the ignition key in position "1" or "2" the wiper arm or wiper linkage can be pushed out of its park position and start running unintentionally. This can result in severe injuries by cutting, pinching or crushing body parts.

#### CAUTION!

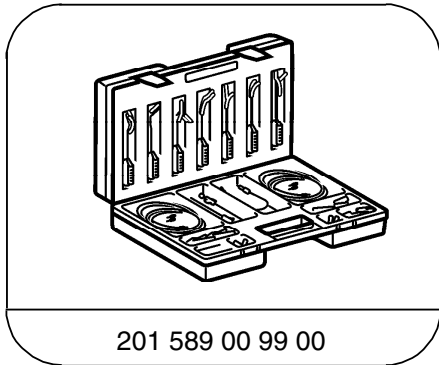
**Always remove ignition key before working on windshield wiper mechanism.**

#### Protective measures:

- **Always remove ignition key** before working on windshield wiper mechanism.
- Do not reach into the wiper mechanism at any time during any tests.
- Keep sufficient distance away from any moving parts.
- Supervise work.
- Wear tight fitting clothing and hair net.

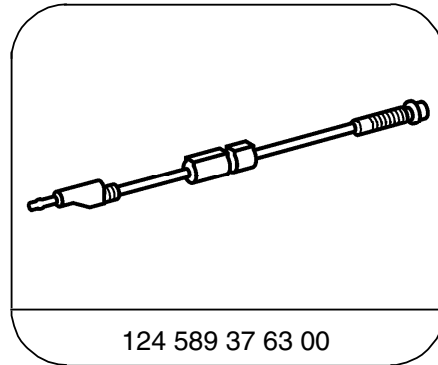
Electrical Test Program – Preparation for Test

Special Tools



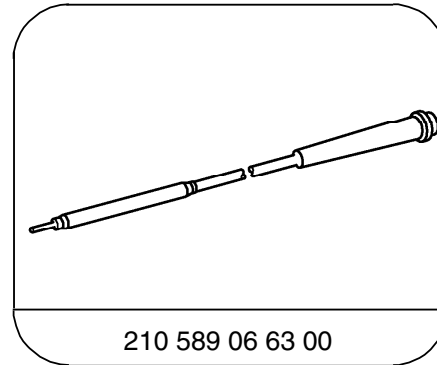
201 589 00 99 00

Electrical connecting set



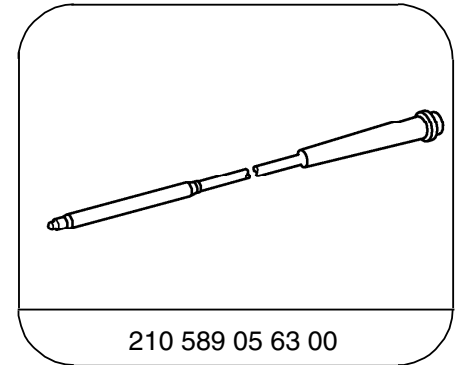
124 589 37 63 00

Fused cable



210 589 06 63 00

Adapter cable



210 589 05 63 00

Adapter cable

Test equipment; See MBUSA Standard Service Equipment Program

Description	Brand, model, etc.
Digital multimeter	Fluke models 23, 77 III, 83, 85, 87