

Electrical Test Program - Component Locations

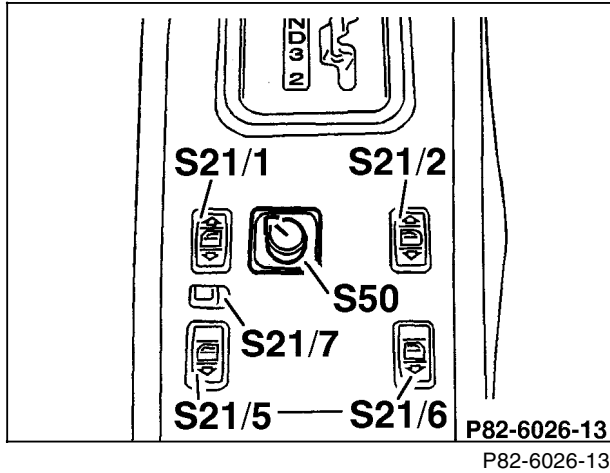


Figure 1
Model 124

- S21/1 Left front power window switch
- S21/2 Right front power window switch
- S21/5 Left rear power window switch
- S21/6 Right rear power window switch
- S21/7 Rear power window safety switch

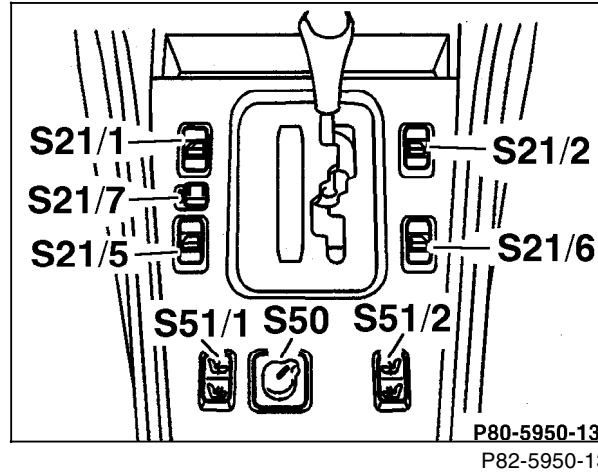


Figure 2
Model 202

- S21/1 Left front power window switch
- S21/2 Right front power window switch
- S21/5 Left rear power window switch
- S21/6 Right rear power window switch
- S21/7 Rear power window safety switch

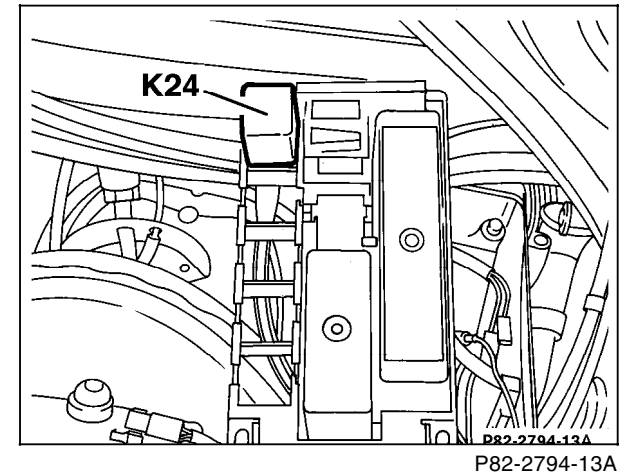
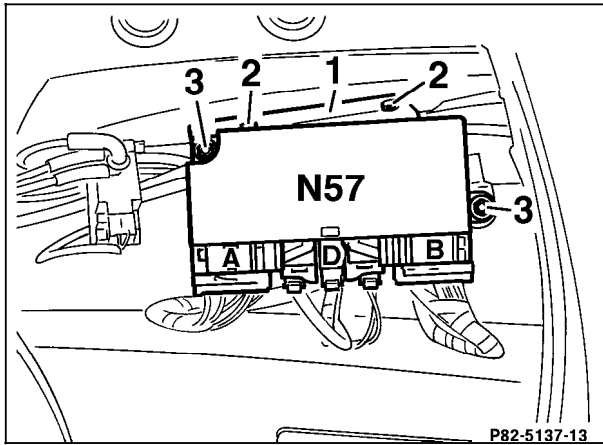


Figure 3
Model 124

- K24 Convenience relay module

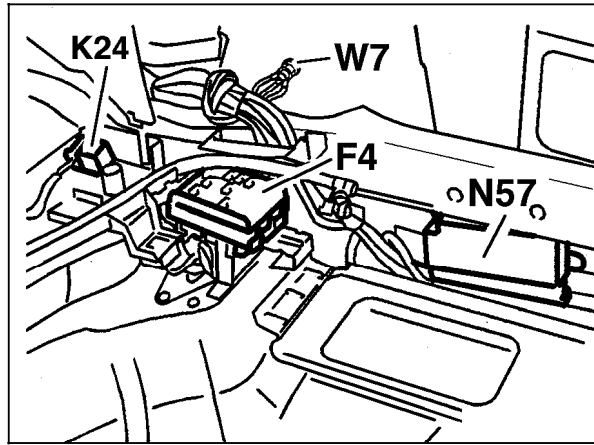
Electrical Test Program - Component Locations



P82-5137-13
P82-5137-13

Figure 4
Model 124 under left rear seat

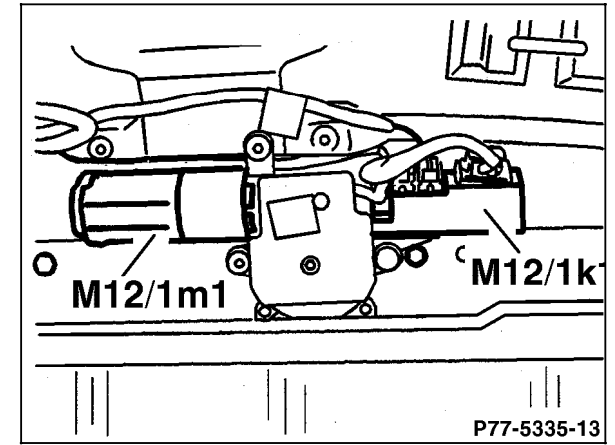
N57 Convenience control module (power windows sliding/pop-up roof)



P82-5949-13

Figure 5
Model 202

F4 Rear fuse box (19-fuse, in trunk)
K24 Convenience relay module
N57 Convenience control module (power windows sliding/pop-up roof)



P77-5335-13
P77-5335-13

Figure 6
Model 202 behind overhead console

M12/1 Sliding/pop-up roof
M12/1k1 Sliding/pop-up roof relay
M12/1m1 Sliding/pop-up roof motor