

Electrical Test Program – Component Locations (CF)

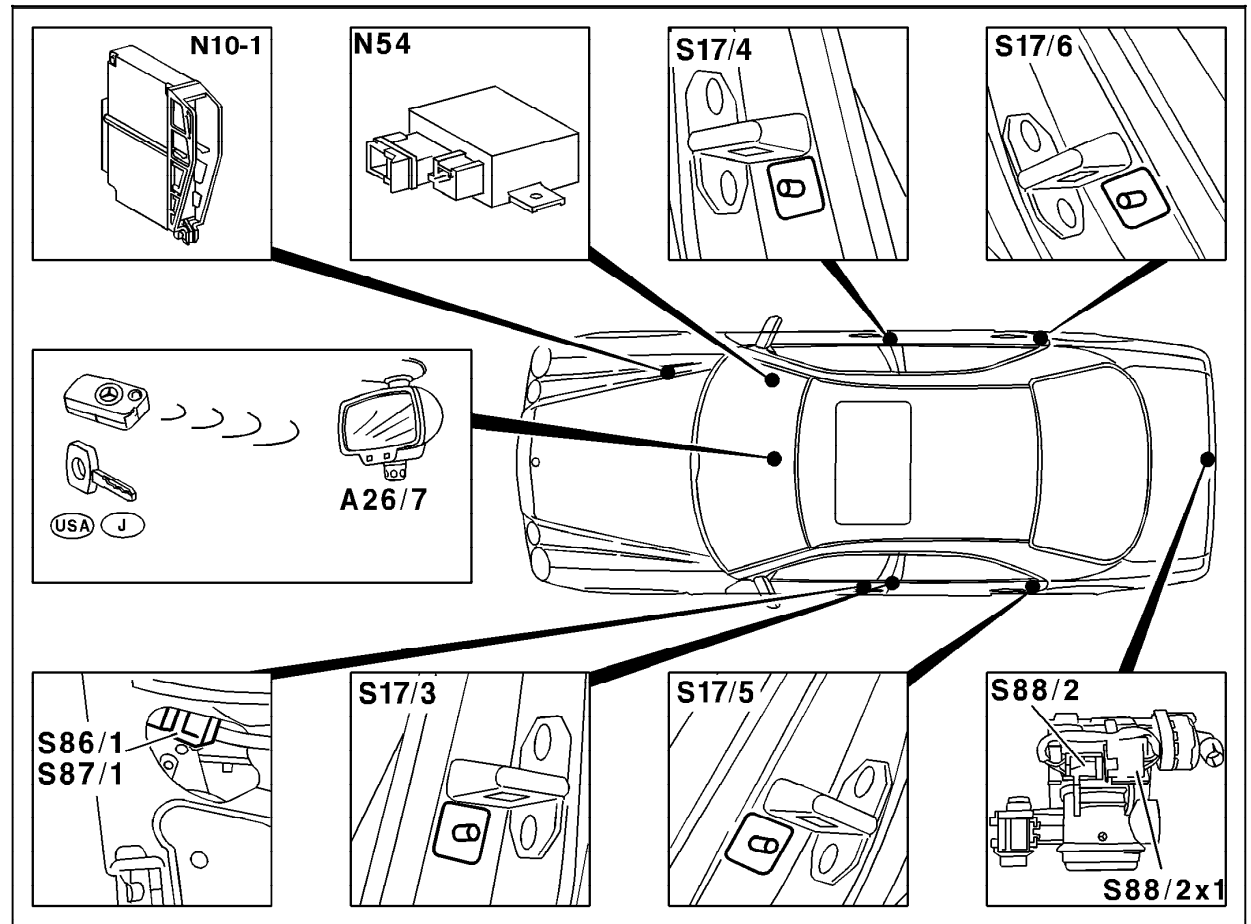


Figure 1

- A26/7 RCL receiver (interior rearview mirror)
- N10-1 Combination control module
- N54 RCL control module
- S17/3 Left front door switch
- S17/4 Right front door switch
- S17/5 Left rear door switch
- S17/6 Right rear door switch
- S86/1 Left front door switch (CF)
- S87/1 Right front door switch (CF)
- S88/2 Trunk lid lock switch (CF)
- S88/2x1 Trunk lid lock switch connector (CF)

U82.40-0208-06

Electrical Test Program – Component Locations (CF)

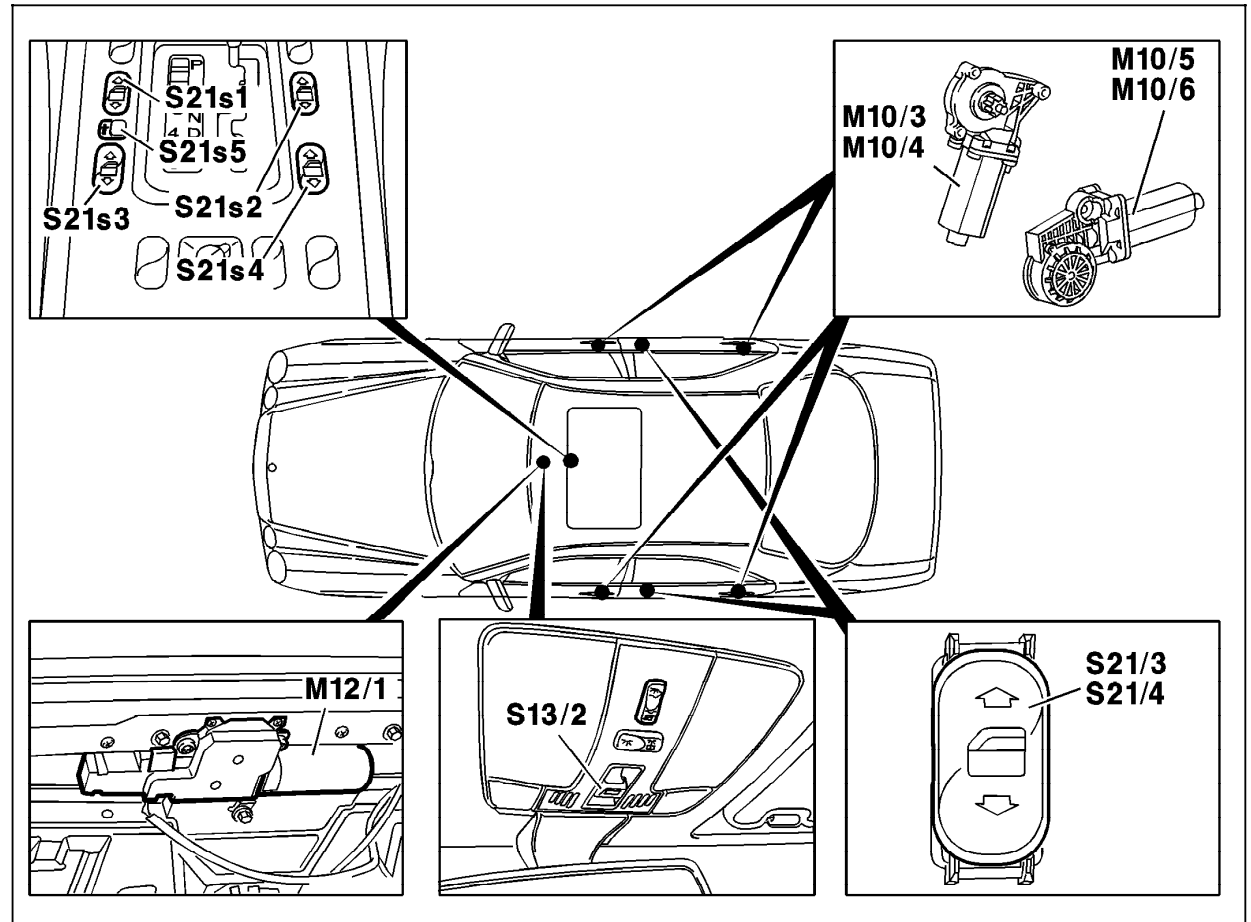


Figure 2

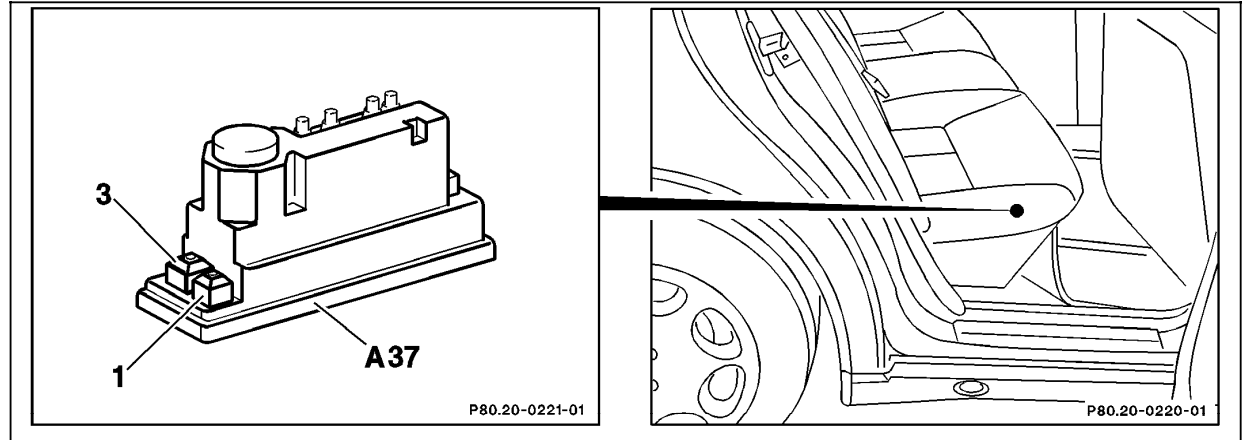
- M10/3 Left front power window motor (voltage supply)
- M10/4 Right front power window motor (voltage supply)
- M10/5 Left rear power window motor (voltage supply)
- M10/6 Right rear power window motor (voltage supply)
- M12/1 Sliding/pop-up roof
- S13/2 Sliding/pop-up roof switch
- S21s1 Left front power window switch
- S21s2 Right front power window switch
- S21s3 Left rear power window switch
- S21s4 Right rear power window switch
- S21s5 Rearpower window safety switch
- S21/3 Left rear power window switch
- S21/4 right rear power window switch

P82.40-0202-06

Electrical Test Program – Component Locations (CF)

Figure 3

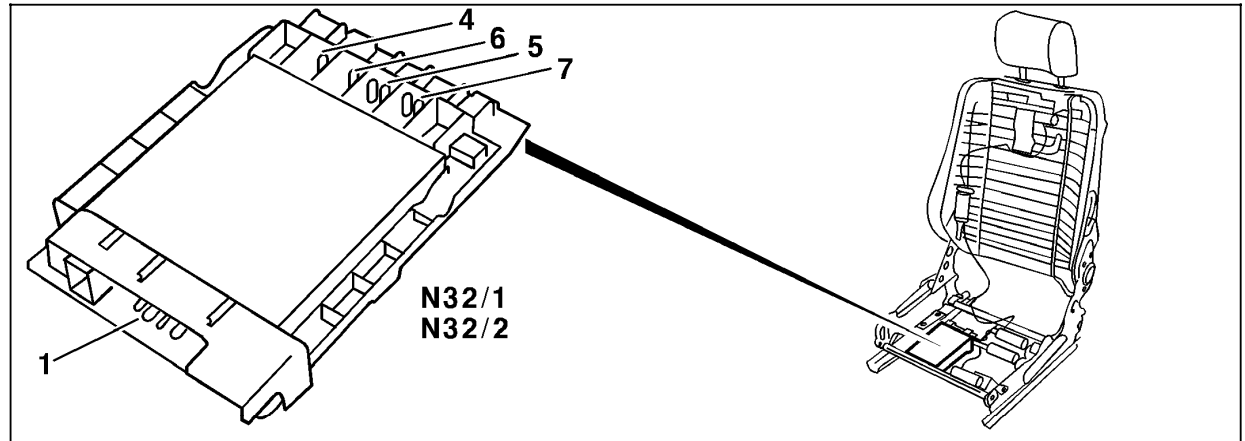
- A37 PSE control module, combined functions
- 1 Connector 1
- 2 Connector 2



P82.40-0209-04

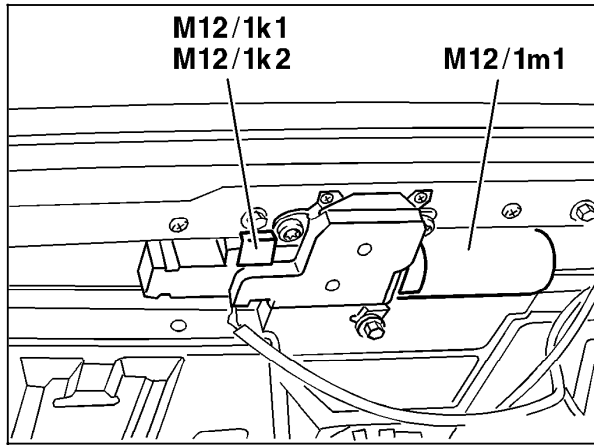
Figure 4

- N32/1 Left front ESA control module (with memory)
- N32/2 Right front ESA control module (with memory)
- 1 Connector 1
- 4 Connector 4
- 5 Connector 5
- 6 Connector 6
- 7 Connector 7



P91.29-0232-04

Electrical Test Program – Component Locations (CF)



P77.20-0255-01

Figure 5

M12/1k1	Sliding/pop-up roof relay
M12/1k2	Sliding/pop-up roof relay
M12/1m1	Sliding/pop-up roof motor