

5.4 Convenience Feature (CF)

Models 202, 208, 210 as of M.Y. 1998

Electrical Test Program – Component Locations (CF)

Model 210 shown

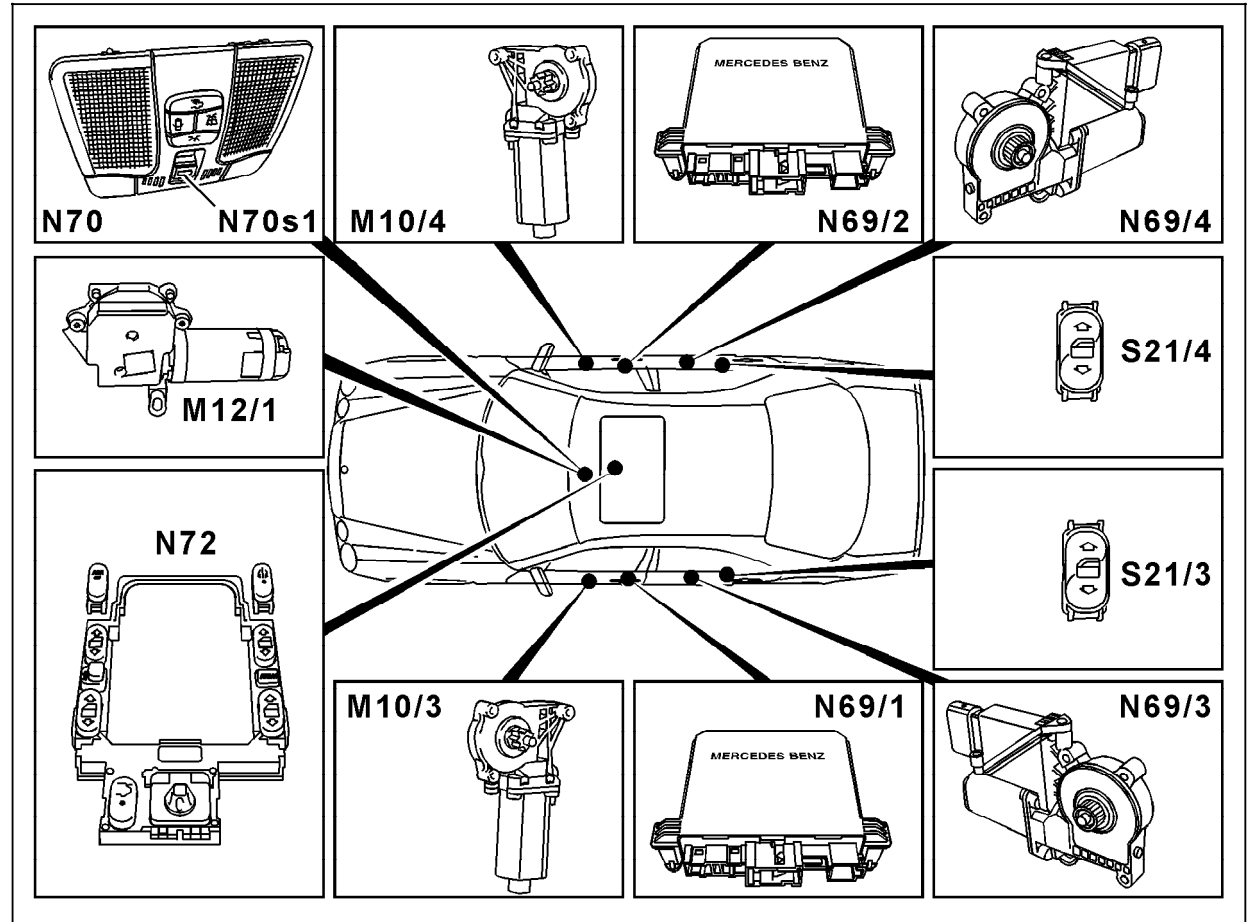


Figure 1

- M10/3 Left front power window motor
- M10/4 Right front power window motor
- M12/1 Sliding/pop-up roof
- N69/1 Front driver-side door control module
- N69/2 Front passenger-side door control module
- N69/3 Rear driver-side door control module
- N69/4 Rear passenger-side door control module
- N70 Roof control panel control module
- N70s1 Sliding/pop-up roof (SR) switch
- N72 Lower control field control module
- S21/3 Left rear power window switch
- S21/4 Right rear power window switch

P72.29-0234-57

Electrical Test Program – Component Locations (CF)

Model 208 shown

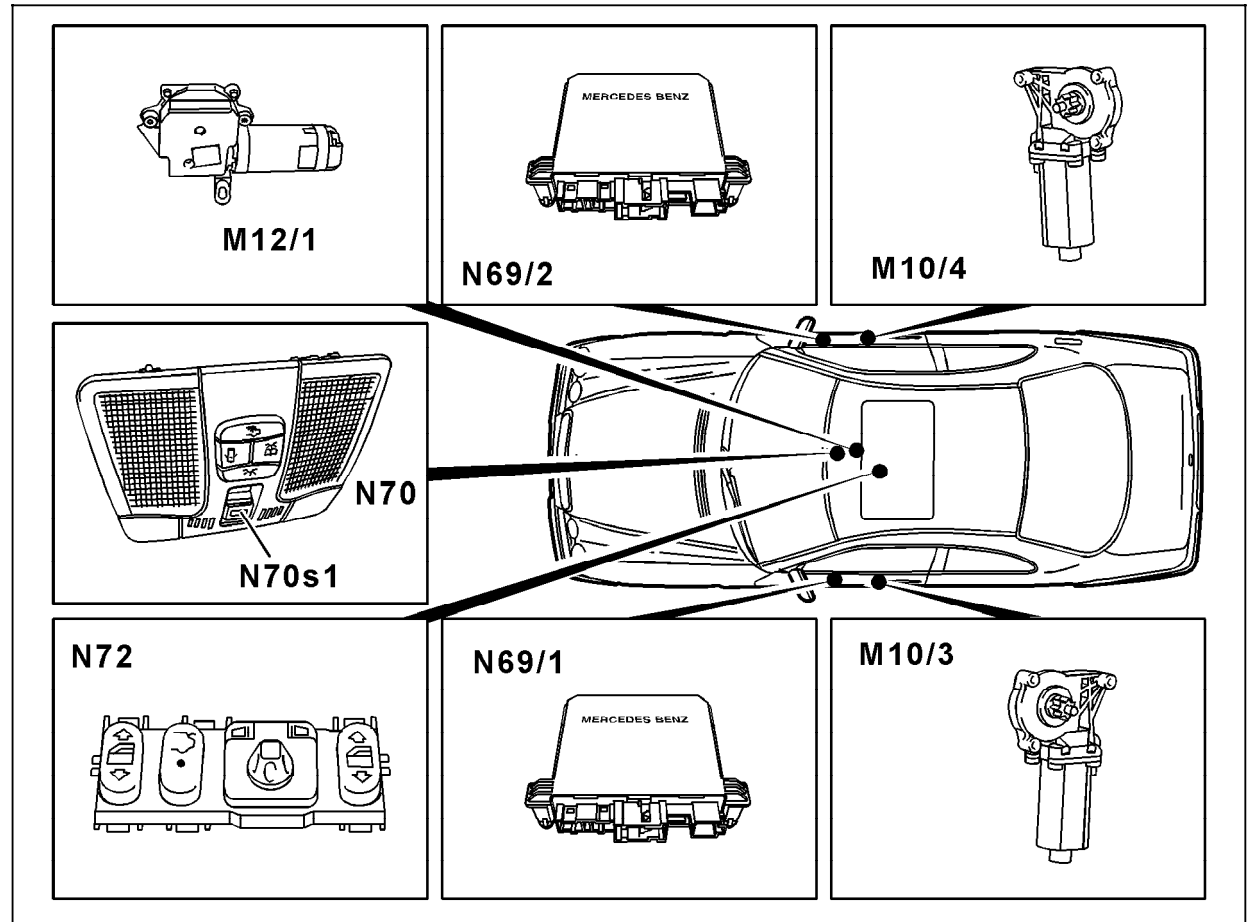


Figure 2

- M10/3 Left front power window motor
- M10/4 Right front power window motor
- M12/1 Sliding/pop-up roof
- N69/1 Front driver-side door control module
- N69/2 Front passenger-side door control module
- N70 Roof control panel control module
- N70s1 Sliding/pop-up roof (SR) switch
- N72 Lower control field control module

P72.29-0242-57

5.4 Convenience Feature (CF)

Models 202, 208, 210 as of M.Y. 1998

Electrical Test Program – Component Locations (CF)

Model 208.4 shown

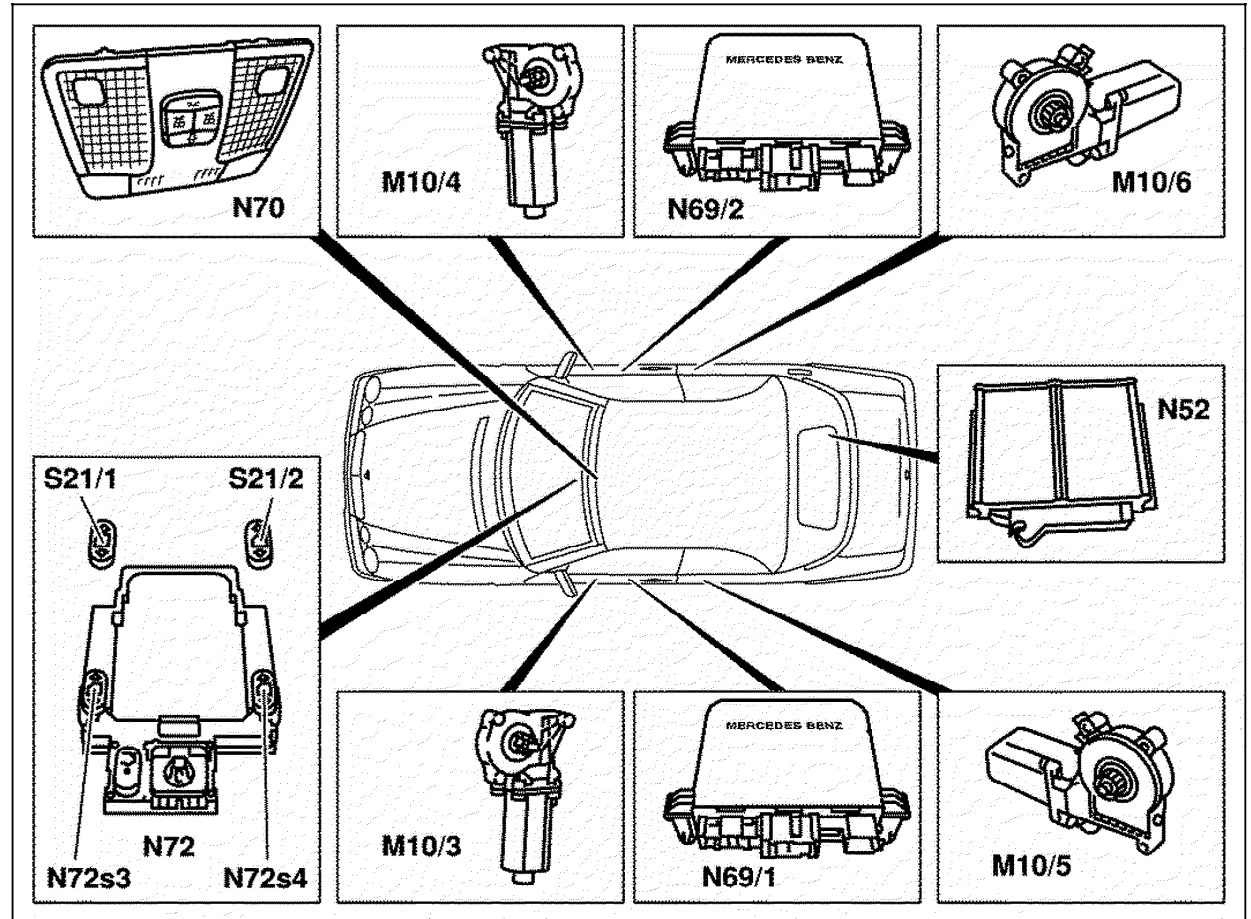


Figure 3

- M10/3 Left front power window motor
- M10/4 Right front power window motor
- M10/5 Left rear power window motor
- M10/6 Right rear power window motor
- N52 Roll bar control module/soft top control module
- N69/1 Front driver-side door control module
- N69/2 Front passenger-side door control module
- N70 Roof control panel control module
- N72 Lower control field control module
- N72s3 Left rear power window switch
- N72s4 Right rear power window switch
- S21/1 Left front power window switch in middle console
- S21/2 Right front power window switch in middle console

P72.29-2010-06

Electrical Test Program – Component Locations (CF)

Model 210 shown

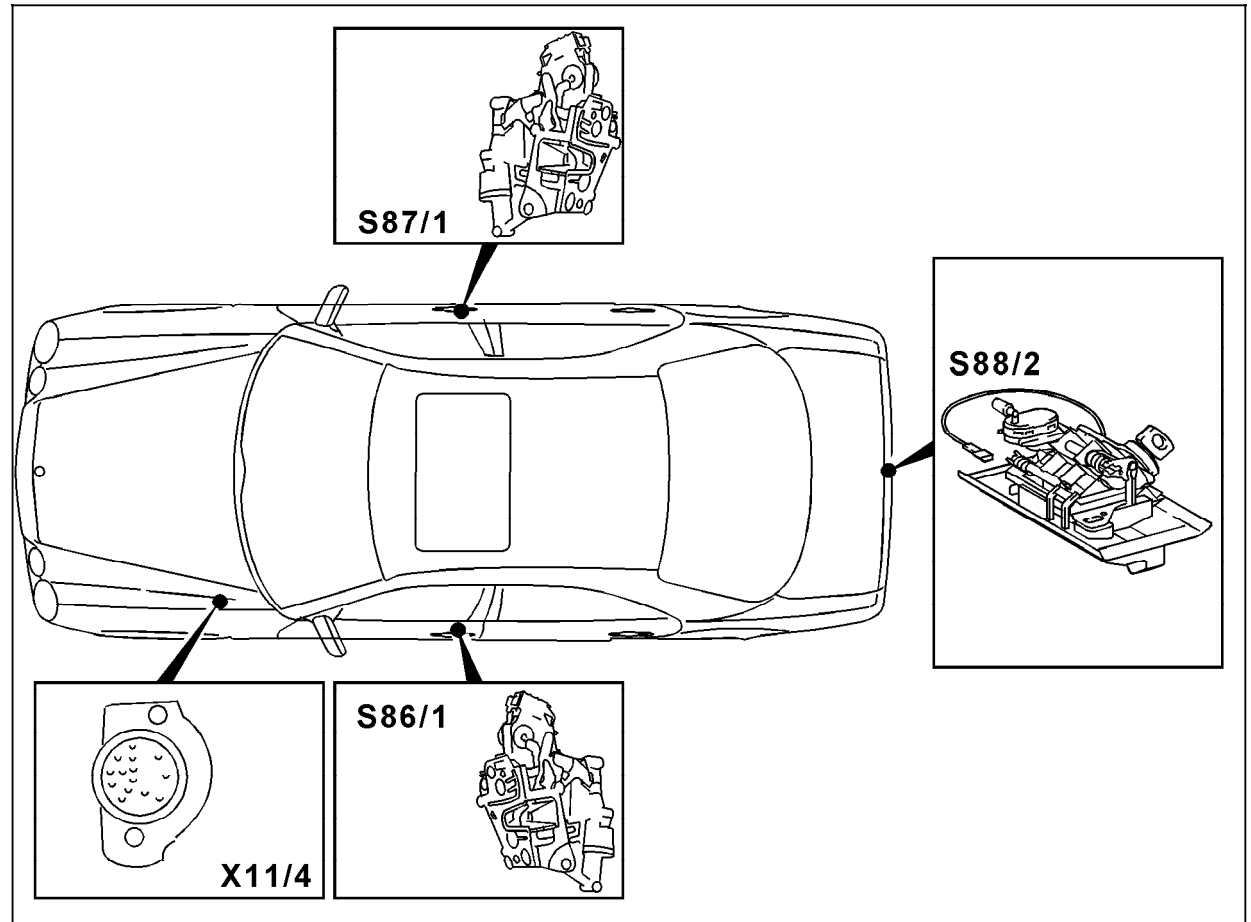


Figure 4

- S86/1 Left front door lock switch (CF) (only USA J)
- S87/1 Right front door lock switch (CF) (only J)
- S88/2 Trunk lid lock switch (CF) (only USA J)
- X11/4 Data link connector (DTC readout)

P72.29-0235-57