

Electrical Test Program – Component Locations

Power Windows

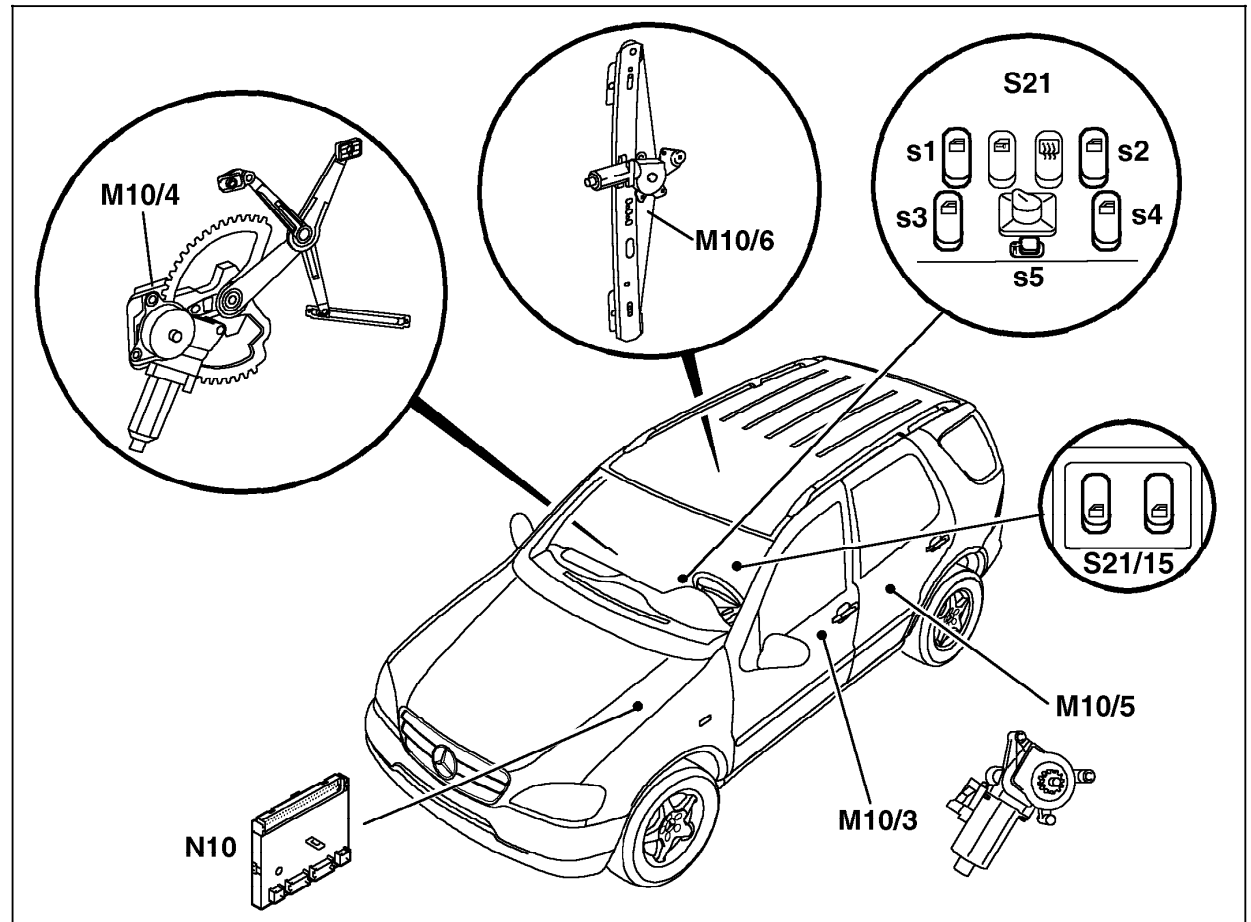


Figure 1

- M10/3 Left front power window motor (voltage supply)
- M10/4 Right front power window motor (voltage supply)
- M10/5 Left rear power window motor
- M10/6 Right rear power window motor
- N10 All Activity Module (AAM)
- S21s1 Left front power window switch
- S21s2 Right front power window switch
- S21s3 Left rear power window switch
- S21s4 Right rear power window switch
- S21s5 Rear power windows safety switch
- S21/15 power window combination switch (rear center console)

P82.40-0240-06

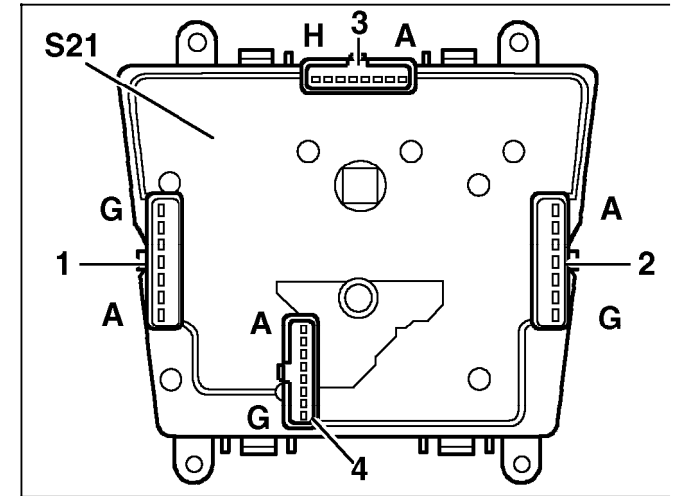
Electrical Test Program – Component Locations

Connector Layout for:

Center console switch group (S21)

- 1 Connector 1
- 2 Connector 2
- 3 Connector 3
- 4 Connector 4
- S21 Center console switch group

Figure 2

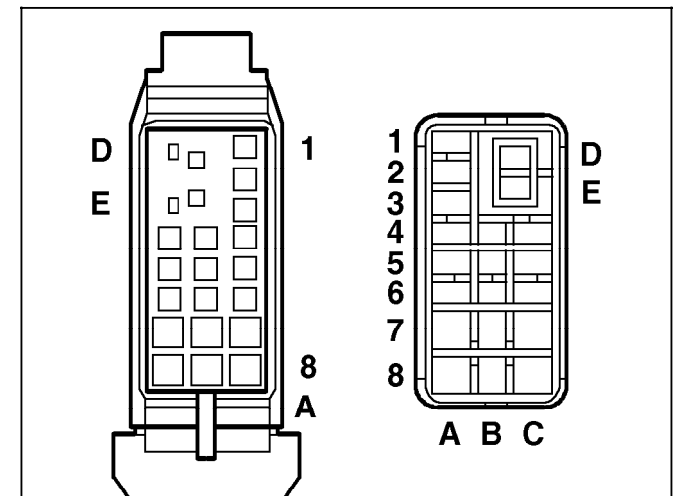


P54.25-0371-01

Connector layout for:

- Left front door separation point (X35/1)
- Right front door separation point (X35/2)
- Left rear door separation point (X35/3)
- Right rear door separation point (X35/4)

Figure 3



P54.18-0406-01

Electrical Test Program – Component Locations

Sliding/Pop-Up Roof

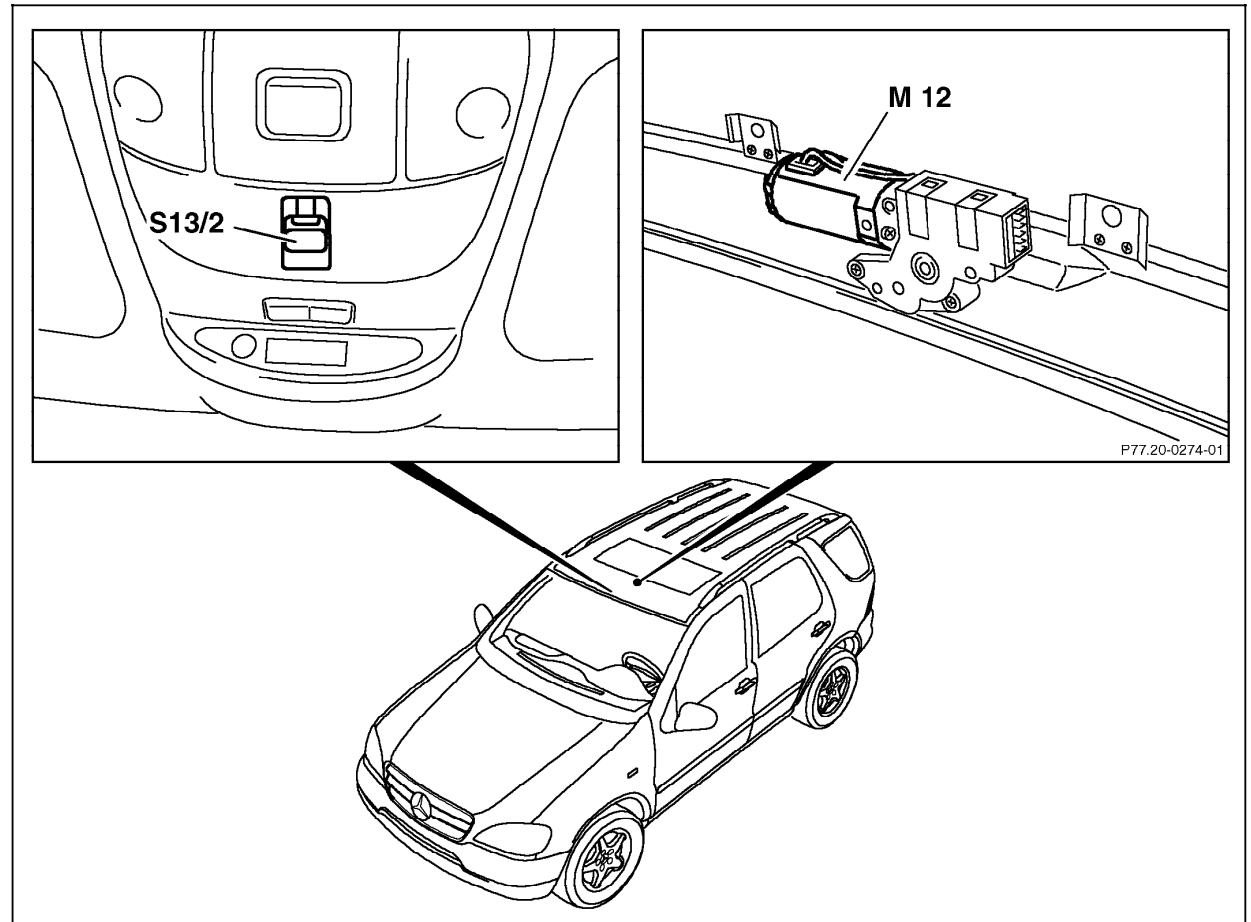


Figure 4

M12 Sliding/pop-up roof drive assembly  
 S13/2 Sliding/pop-up roof switch

P77.20-0380-06

Electrical Test Program – Component Locations

Electric sliding roof

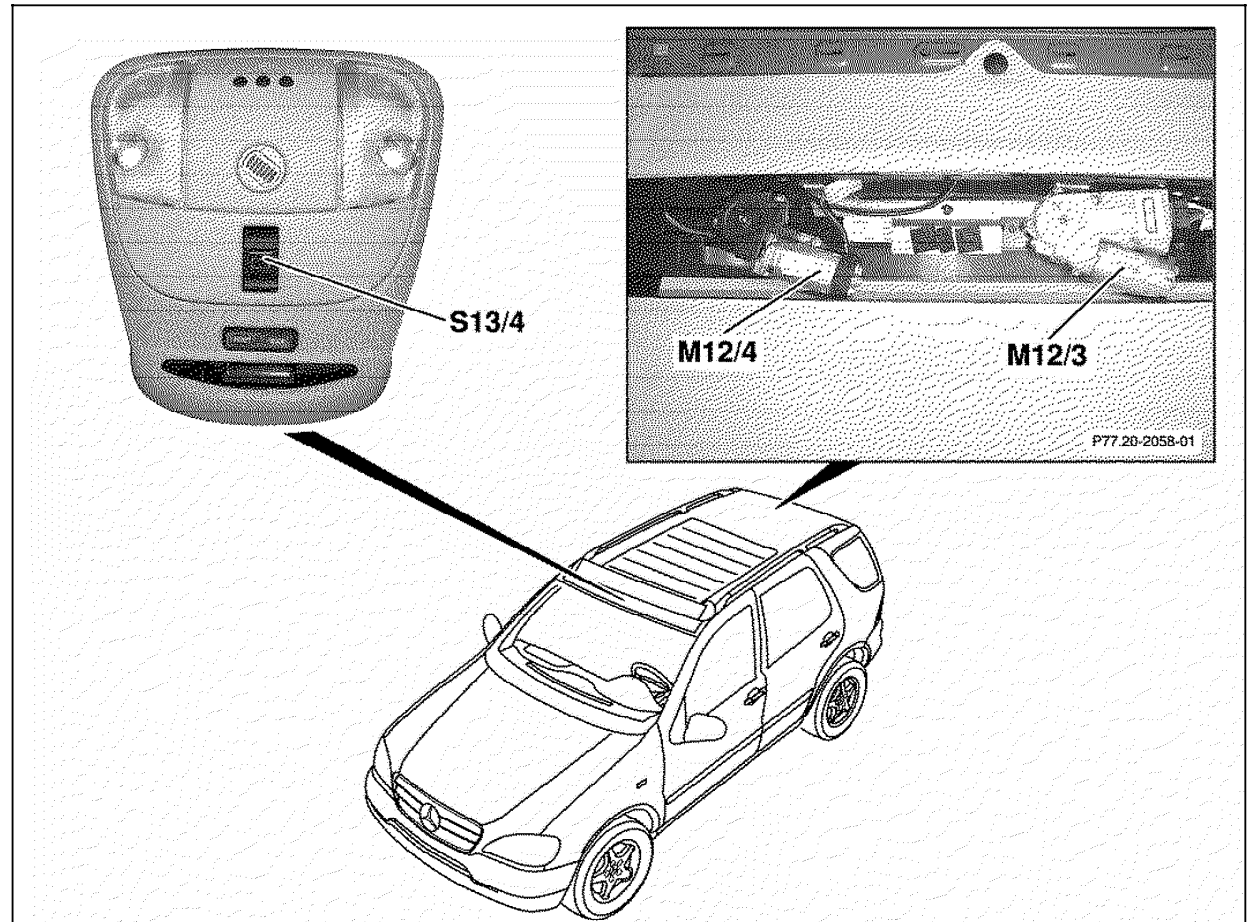


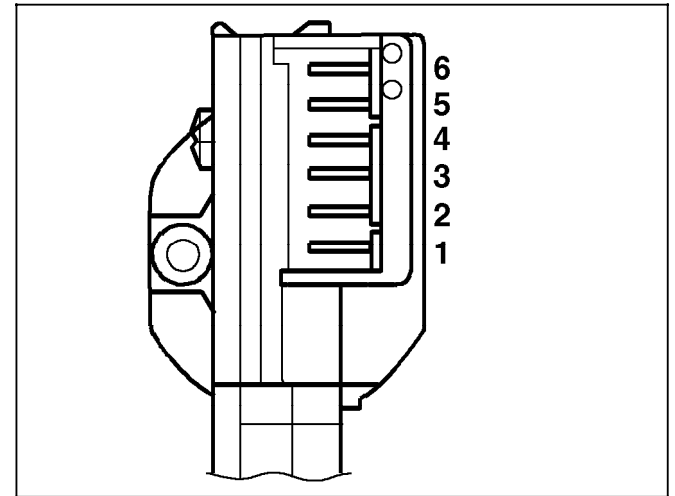
Figure 4

- M12/3 Sliding roof motor right
- M12/4 Sliding roof motor left
- S13/4 Sliding roof switch

P77.20-2056-06

Electrical Test Program – Component Locations

Connector layout for:  
Sliding/pop-up roof drive assembly (M12)



P54.25-0370-01

Figure 5