

Electrical Test Program – Component Locations

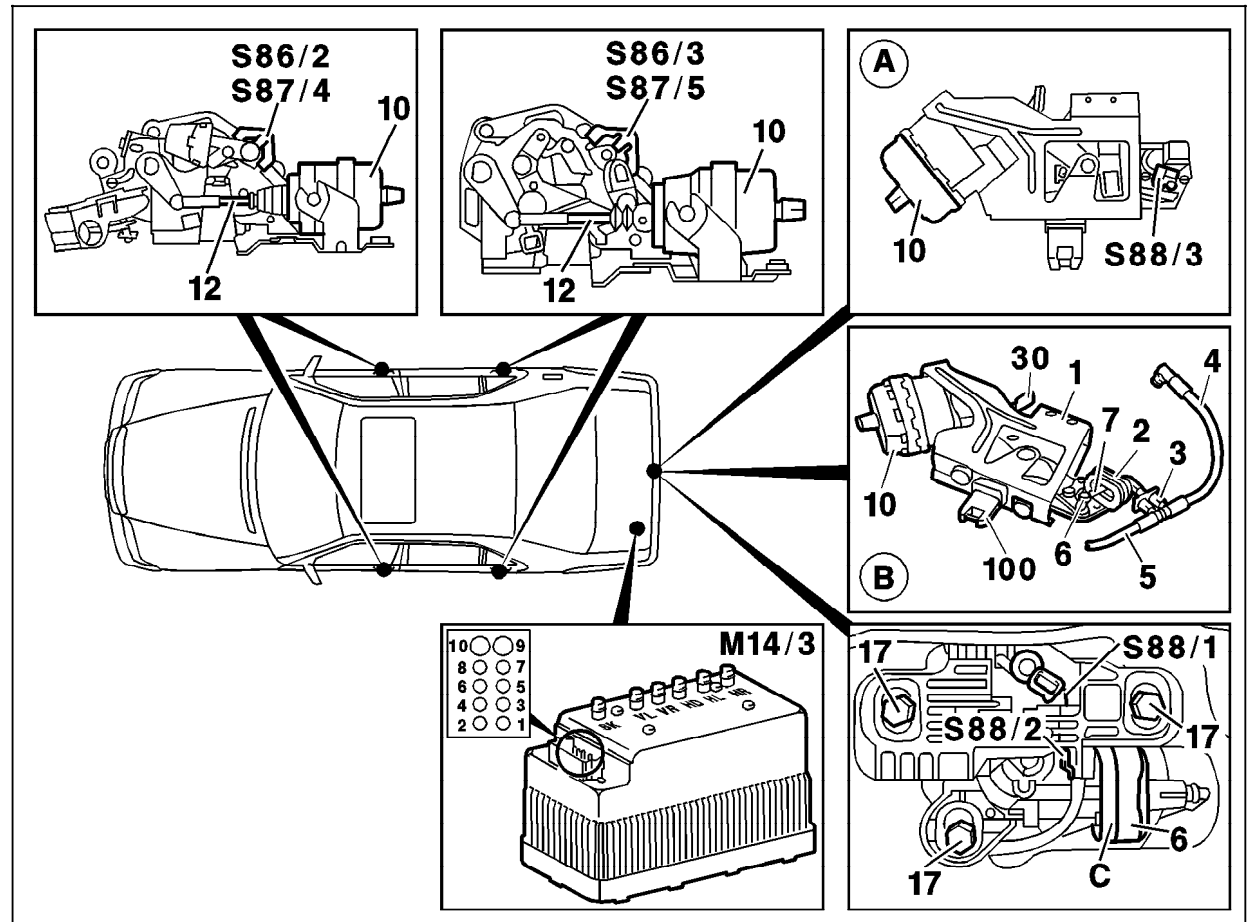


Figure 1

- A Version up to chassis end no. 118120
- B Version as of chassis end no. 118121
- M14/3 CA supply pump
- S86/2 Left front door closing assist microswitch
- S86/3 Left rear door closing assist microswitch
- S87/4 Right front door closing assist microswitch
- S87/5 Right rear door closing assist microswitch
- S88/1 Rotary tumbler/trunk lid microswitch
- S88/3 Trunk lid closing assist microswitch ¹⁾
- VL Left front door
- VR Right front door
- HD Trunk lid
- HL Left rear door
- HR Right rear door
- SK Vacuum vent connection (with screen)

¹⁾ No longer installed as of chassis end no. 118121.

P72-5363-57