

Electrical Test Program – Component Locations

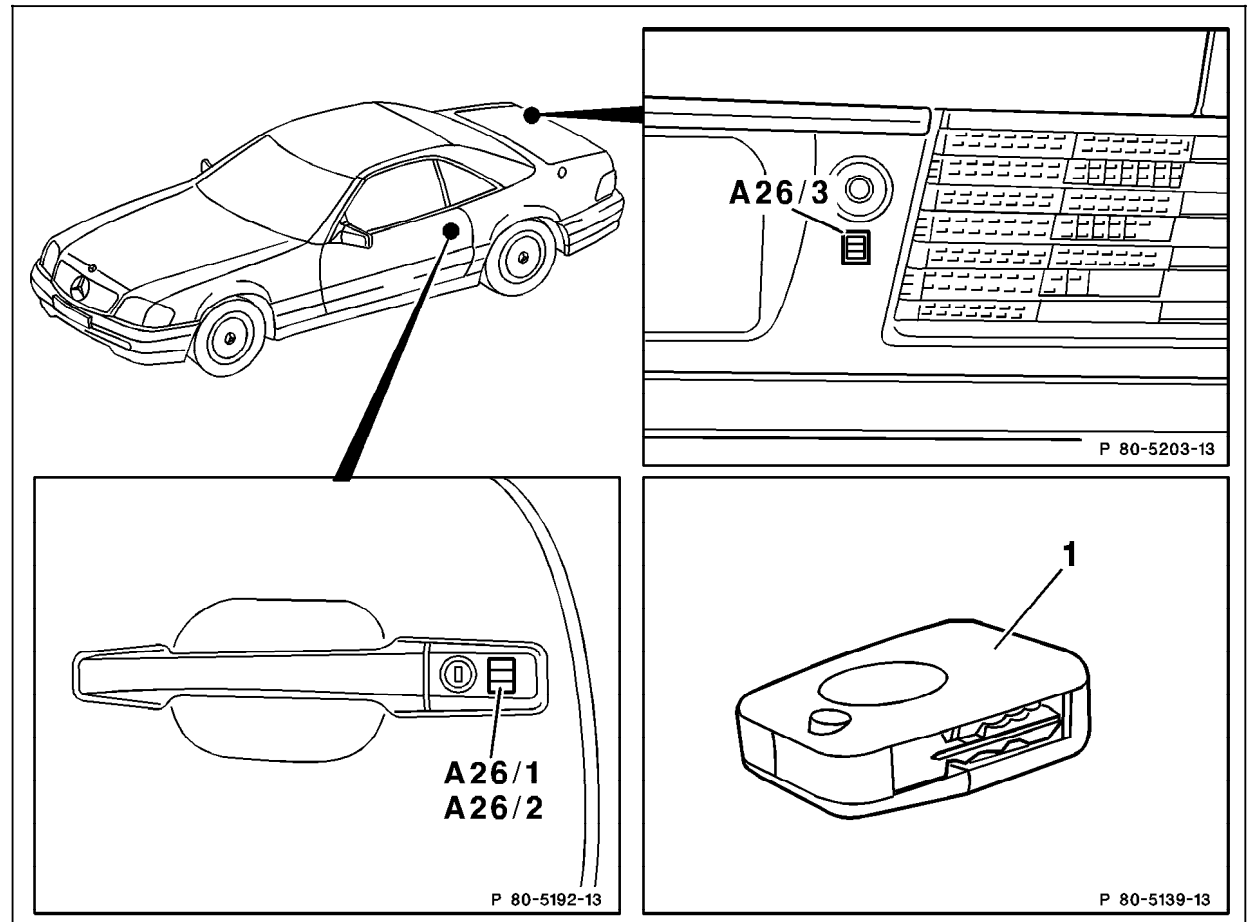


Figure 1

- 1 Infrared transmitter
- A26/1 Left front door IR receiver
- A26/2 Right front door IR receiver
- A26/3 Trunk lid IR receiver

P80-5181-57

Electrical Test Program – Component Locations

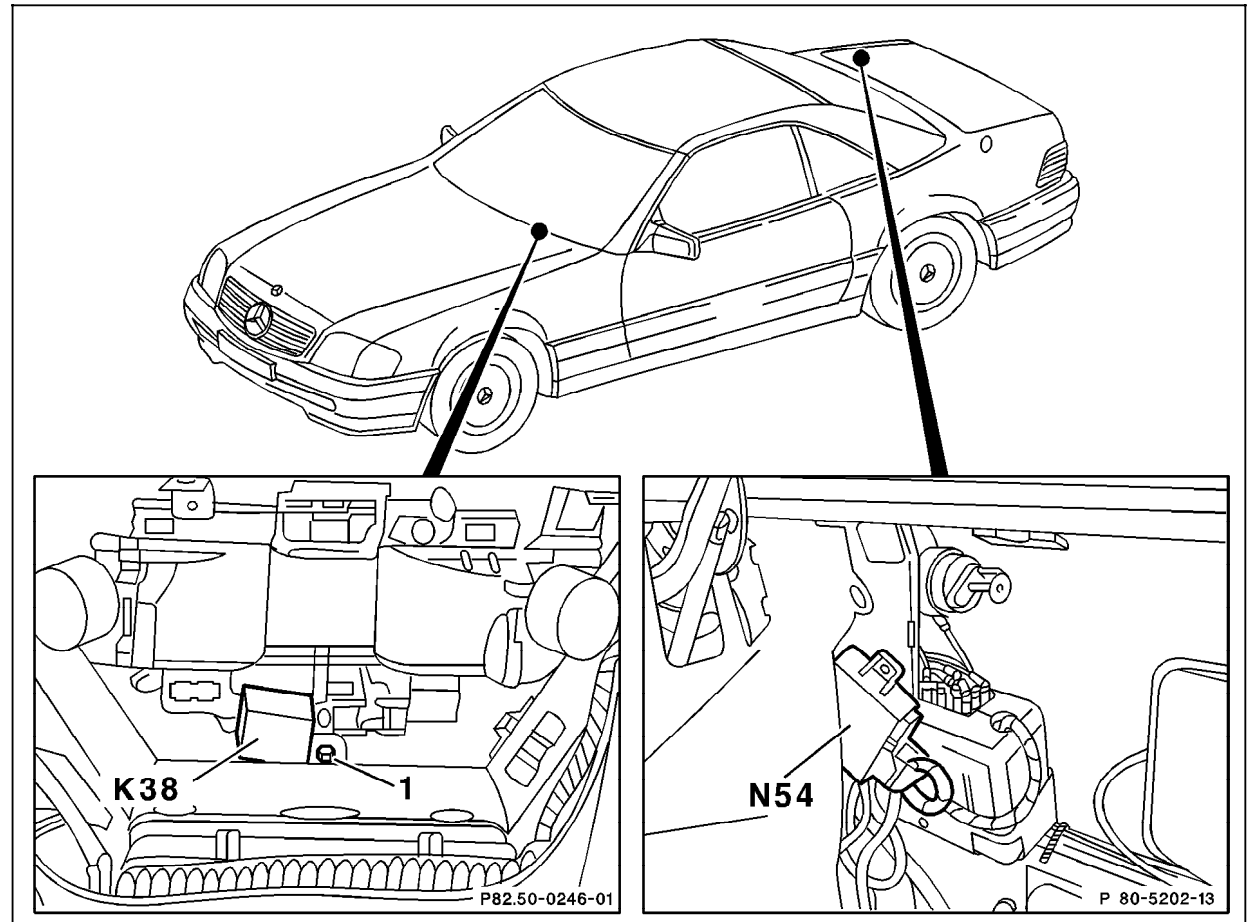
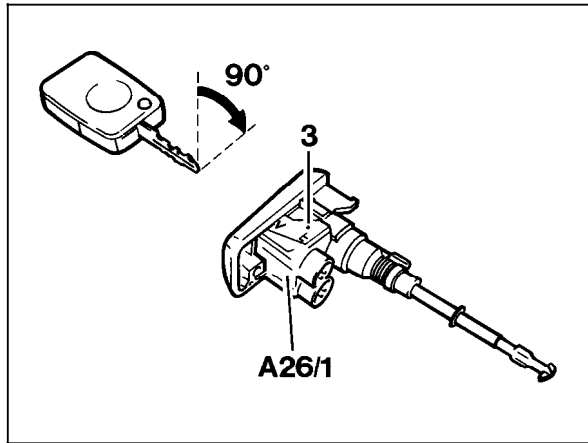


Figure 2

- K38 Starter lock-out relay module
- N54 IRCL control module

P80-5185-57

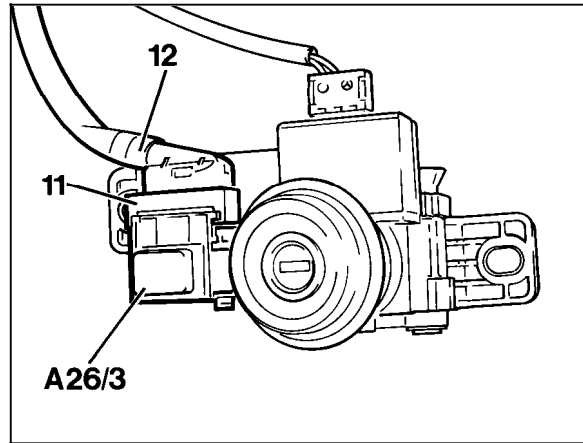
Electrical Test Program – Component Locations



P80-2039-13

Figure 3

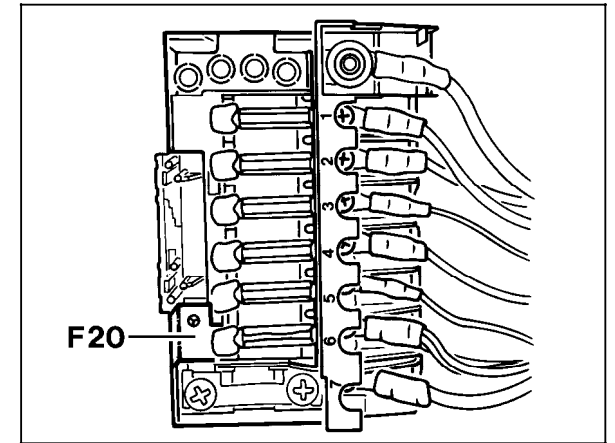
- A26/1 Left front door IR receiver
- A26/2 Right front door IR receiver
(mirror image of left shown)



P80-2040-13

Figure 4

- A26/3 Trunk lid IR receiver



P80-2035-13

Figure 5

- F20 Auxiliary fuse holder (trunk)

Electrical Test Program – Component Locations

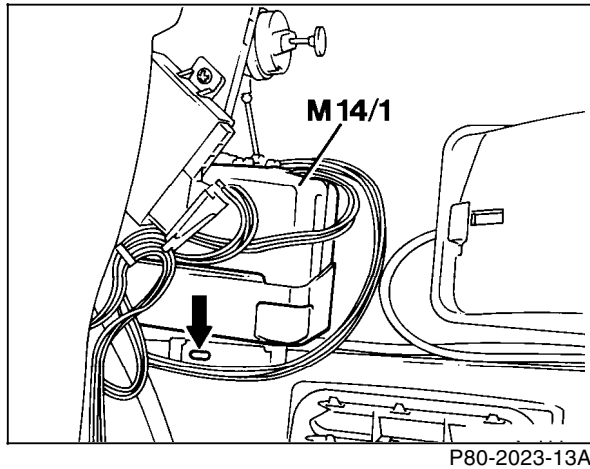


Figure 6

M14/1 Supply pump (CL/vacuum)

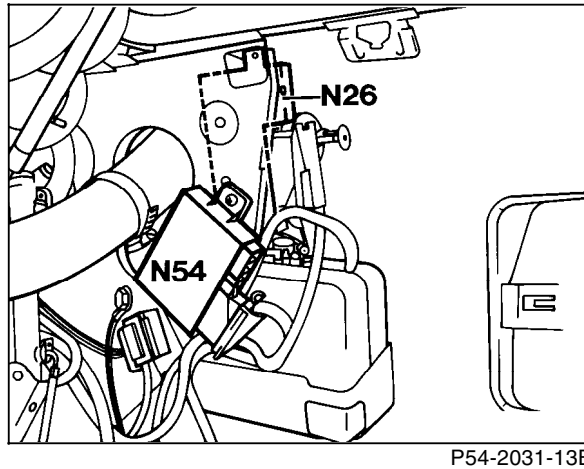


Figure 7

N26 ATA control module
N54 IRCL control module

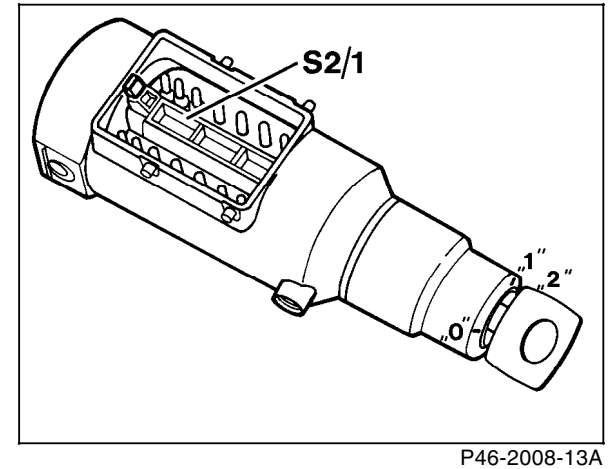


Figure 8

S2/1 Ignition/starter switch