

Electrical Test Program - Preparation for Test

Preliminary work:

Diagnosis - Diagnostic Trouble Code (DTC) Memory 12

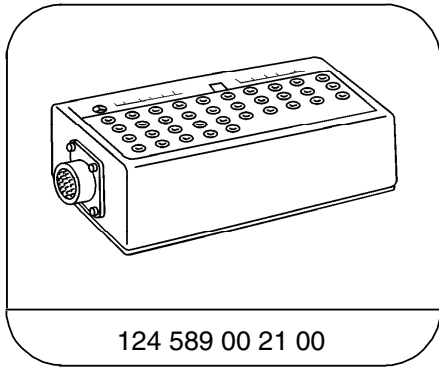
Preparation for Test:

- Provide access to IRCL control module (N54).
- Provide access to supply pump, central locking system (M14/1 or M14/2)
- Connect socket box with test cable according to connection diagram, see 22 Figure 1.

Electrical wiring diagrams

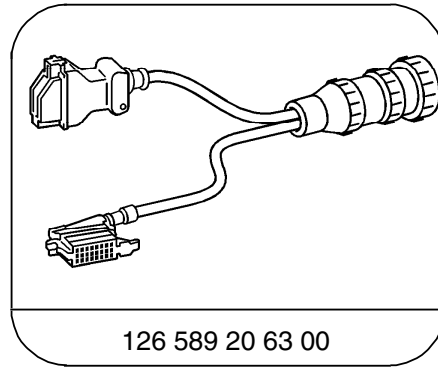
See Electrical Troubleshooting Manual, Model 129, Volume 2.

Special Tools



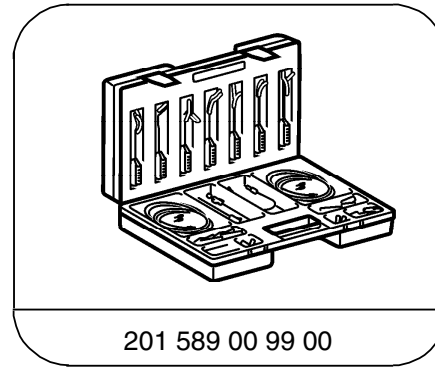
124 589 00 21 00

35-pin socket box



126 589 20 63 00

27-pin test cable



201 589 00 99 00

Electrical connecting set

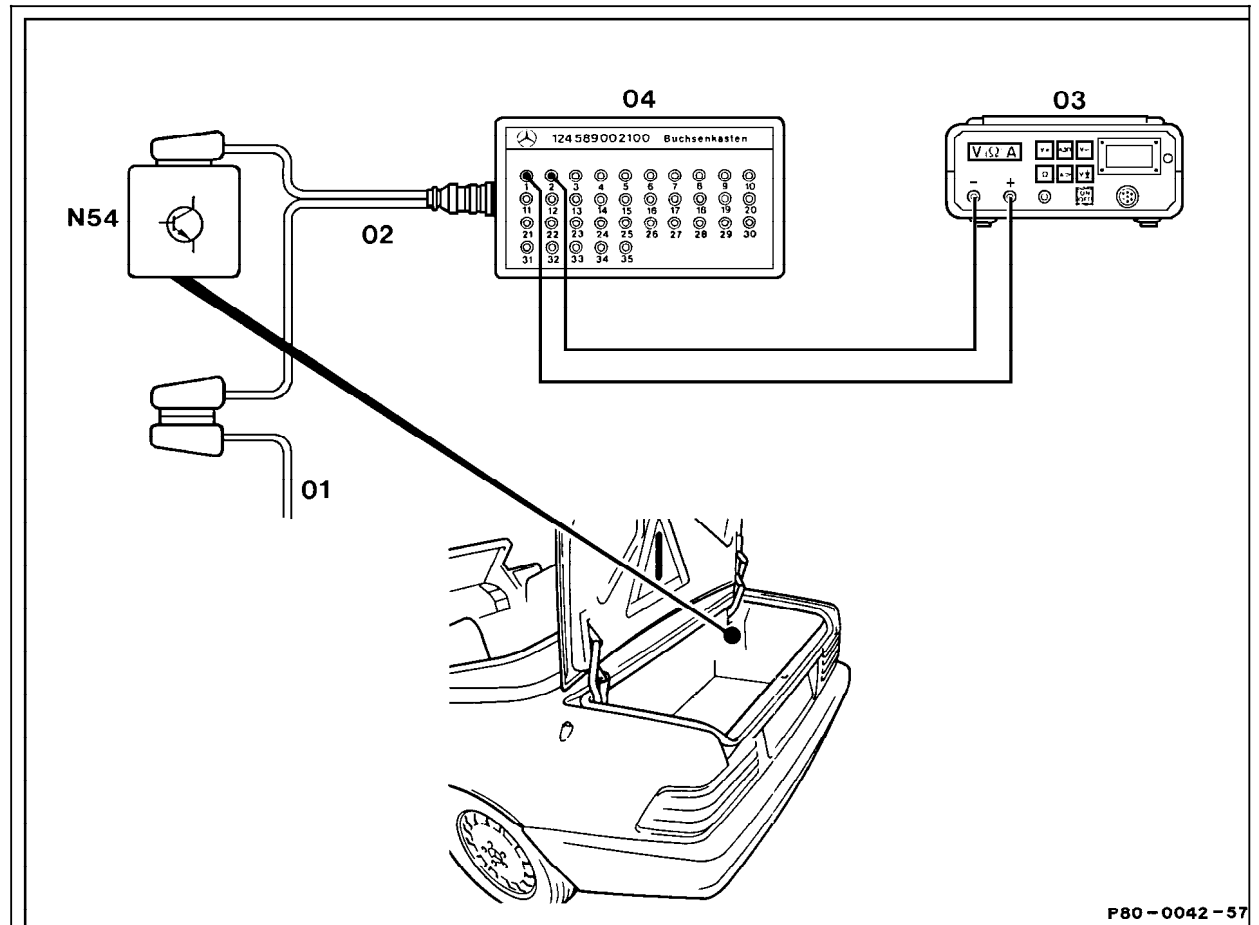
Equipment

Multimeter ¹⁾	Fluke models 23, 83, 85, 87
--------------------------	-----------------------------

¹⁾ Available through the MBUSA Standard Equipment Program.

Electrical Test Program - Preparation for Test

Connection Diagram - Socket Box



P80-0042-57

P80-0042-57

Figure 1

- 001 IRCL control module connector
- 002 Test cable
- 003 Multimeter
- 004/050 Socket box
- N54 IRCL control module