

Electrical Test Program – Component Locations

Sedan

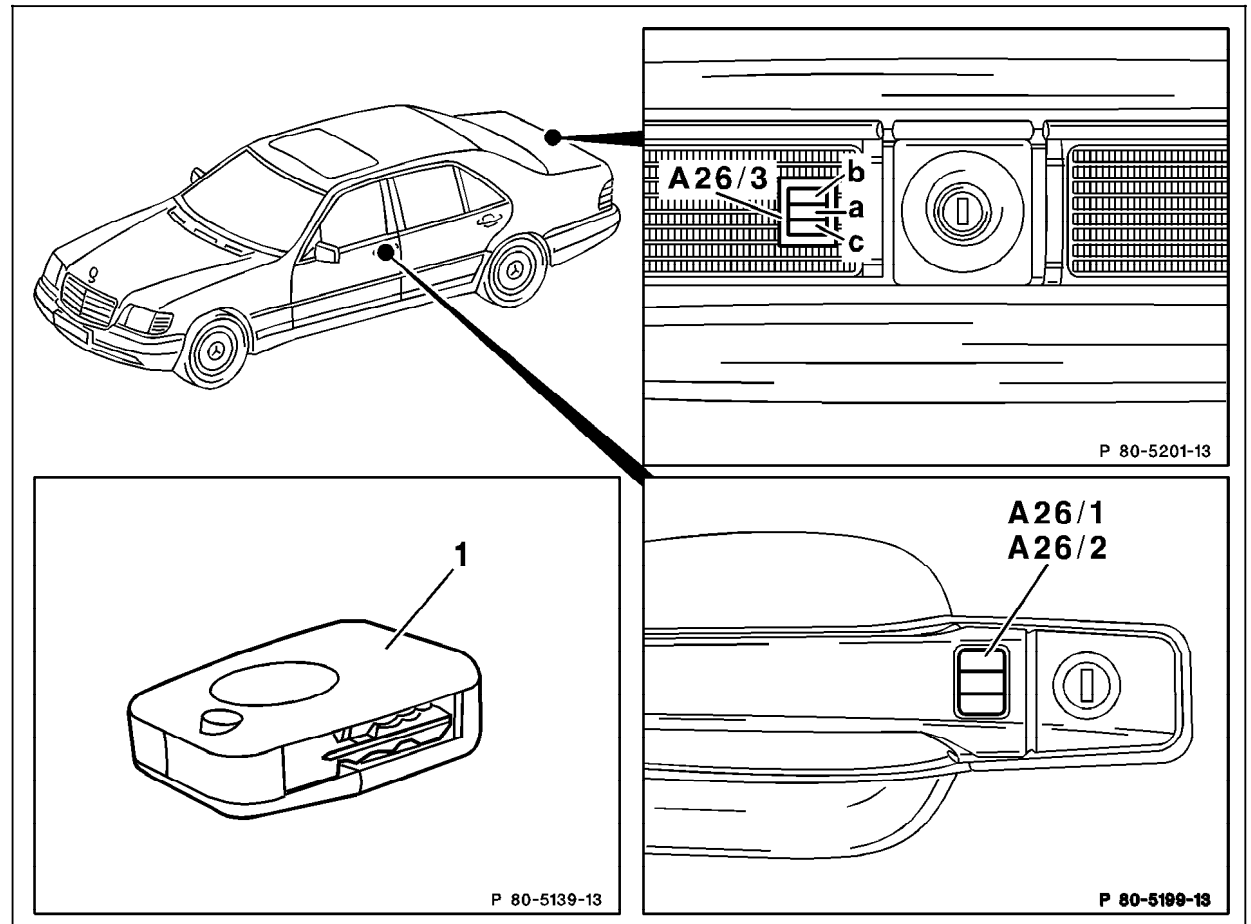


Figure 1

- 1 Infrared transmitter
- A26/1 Left front door IR receiver
- A26/2 Right front door IR receiver
- A26/3 Trunk lid IR receiver

P80-5182-57

Electrical Test Program – Component Locations

Sedan

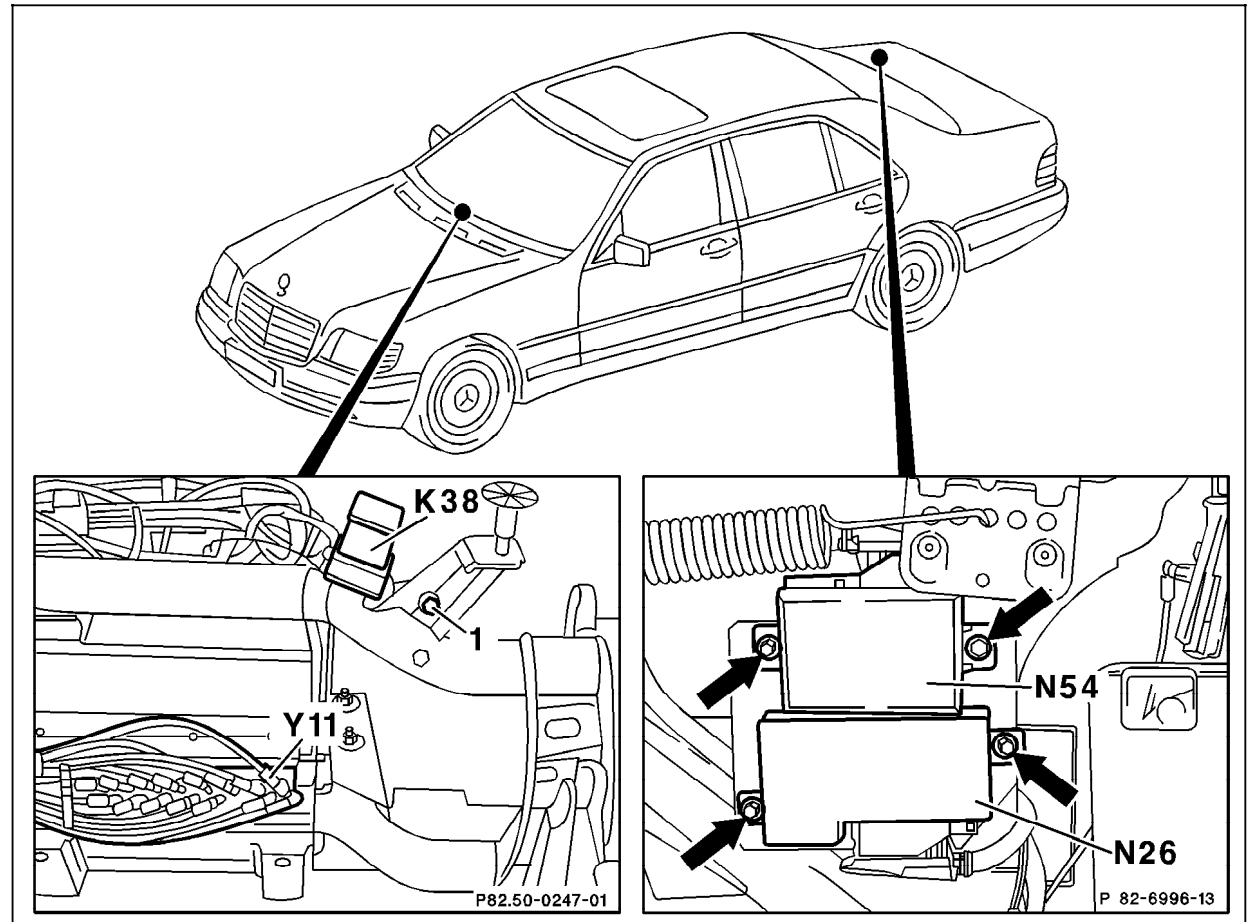


Figure 2

- K38 Starter lock-out relay module
- N54 IRCL control module

P82.50-0247-01
P 82-6996-13
P80-5186-57

Electrical Test Program – Component Locations

Coupe

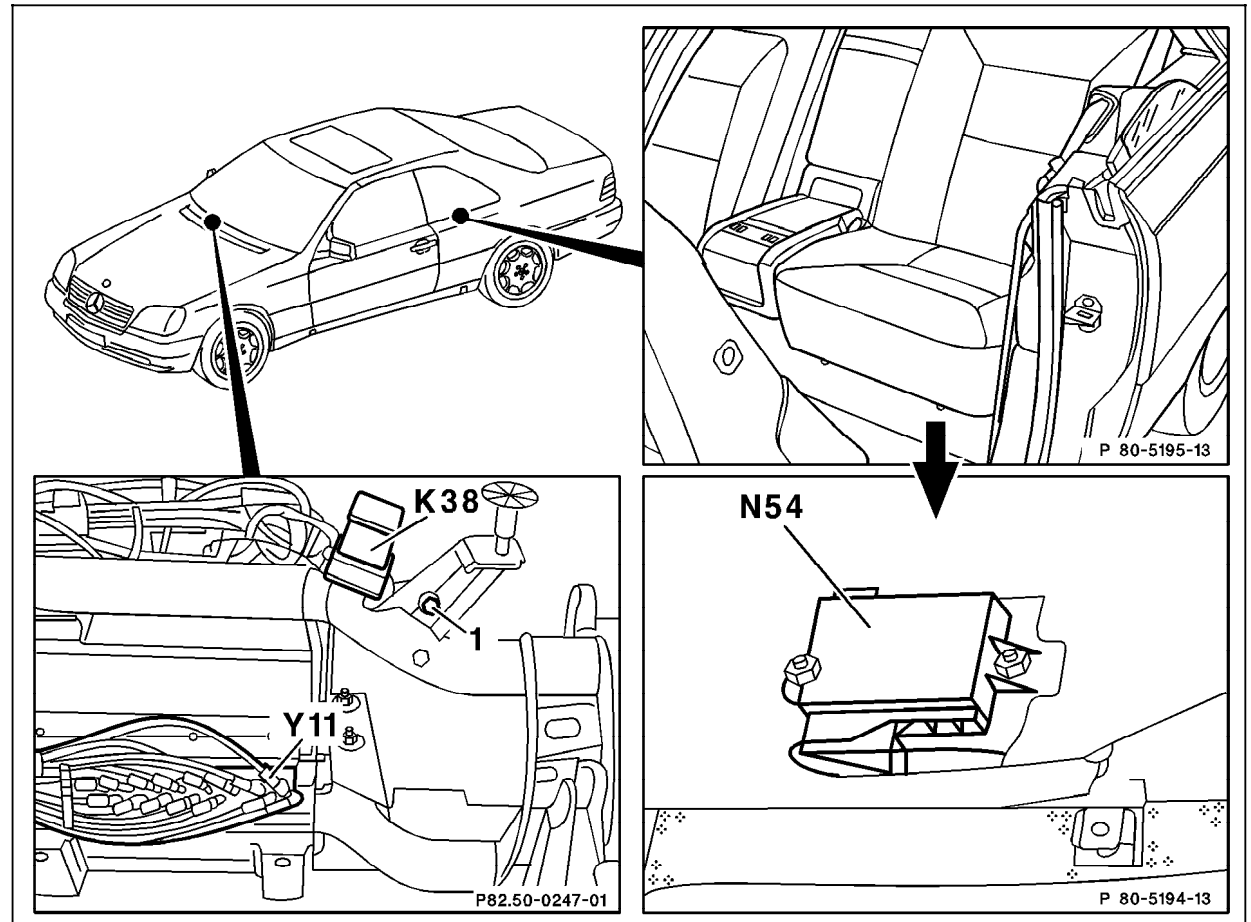
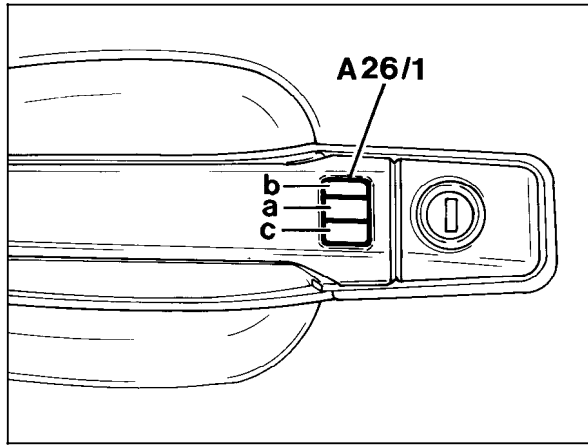


Figure 3

- K38 Starter lock-out relay module
- N54 IRCL control module

P80-5187-57

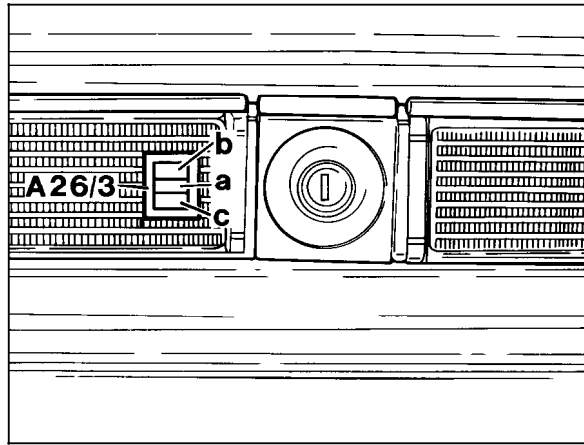
Electrical Test Program – Component Locations



P80-2216-13

Figure 4

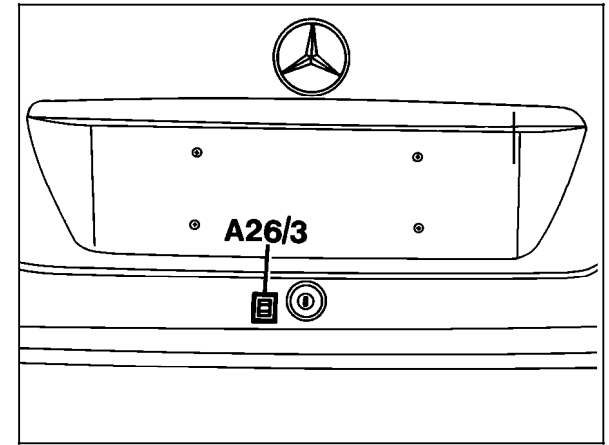
- A26/1 Left front door IR receiver
- A26/2 Right front door IR receiver
(mirror image of left shown)



P80-2215-13

Figure 5

- A26/3 Trunk lid IR receiver (sedan)

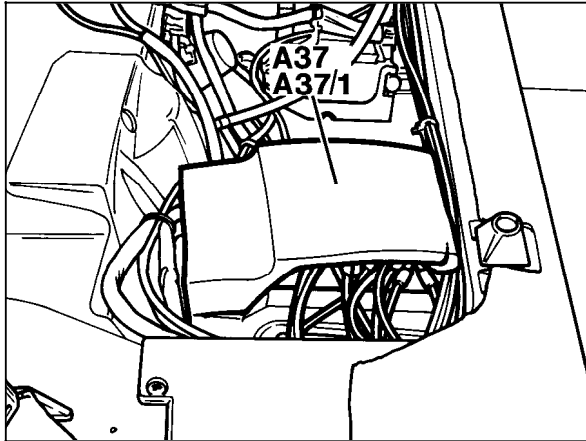


P80-5081-13

Figure 6

- A26/3 Trunk lid IR receiver (coupé)

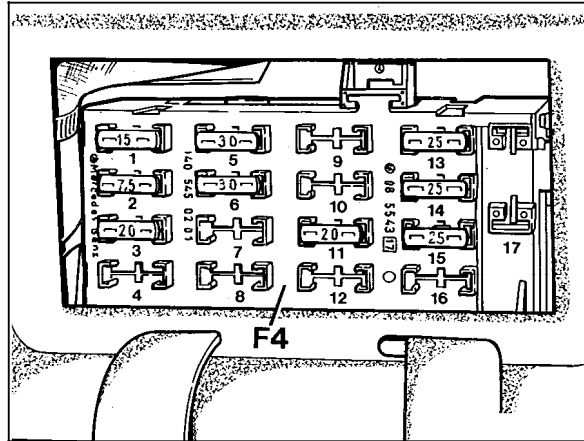
Electrical Test Program – Component Locations



P80-2241-13

Figure 7

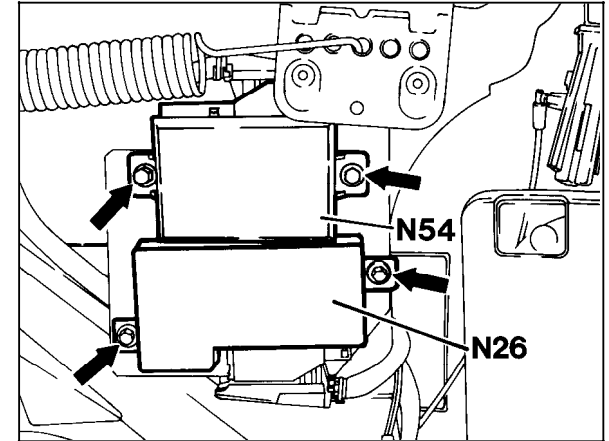
A37, A37/1 PSE control module



P80-2232-13

Figure 8

F4 Rear fuse box (17-fuse, in trunk)



P80-2214-13

Figure 9

N26 ATA control module
N54 IRCL control module (sedan)

Electrical Test Program – Component Locations

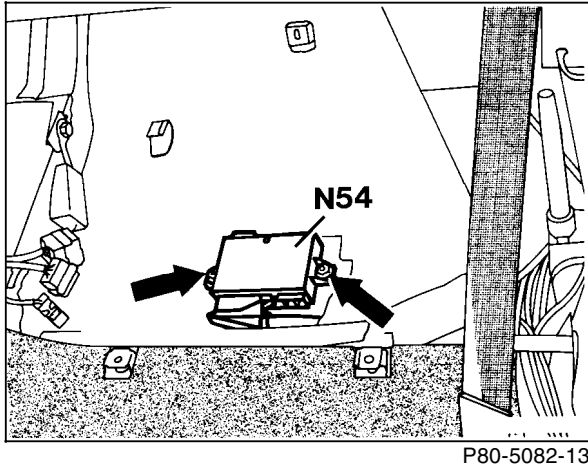


Figure 10

N54 IRCL control module (coupé)

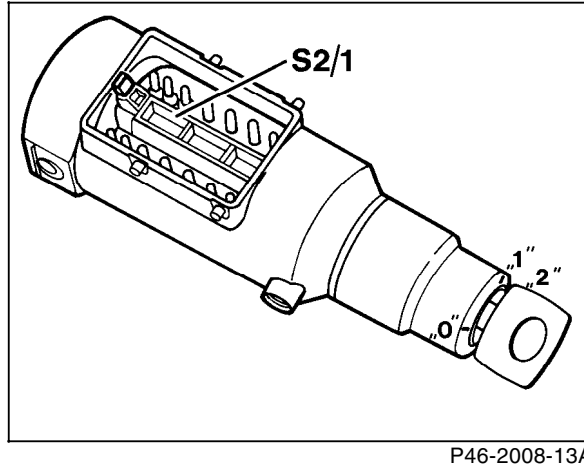


Figure 11

S2/1 Ignition/starter switch